



Migali[®]

COMPETITOR SERIES[®]

specifications & line drawings

American Family Owned



SINCE 1955

TRUSTED SINCE 1955

PROJECT:	_____
LOCATION:	_____
ITEM#:	_____
QUANTITY:	_____

COMPETITOR SERIES[®]

C-1R
C-2R
C-3R

REACH-IN REFRIGERATORS

- Beautiful ergonomic construction & rounded corners
- Digital temperature controller & read-out
- All stainless steel exterior and interior
- Forced air refrigeration system
- Recessed door handles
- Incandescent interior lighting
- Door locks
- 90 degree hold open door feature for loading products
- Migali[®] Protection Plan: 1 Year Parts & Labor Warranty, 5 Years Compressor Warranty
- Top mount compressor for enhanced efficiency
- Pre-installed casters and shelving
- Auto-defrost

MODEL	DOORS	Cu/Ft	SHELVES	H/P	AMPS	VOLTAGE	WEIGHT(lbs)	ENERGY CONSUMPTION Kwh/24hr	PLUG TYPE	DIMENSIONS L x D x H	TEMPERATURE RANGE
C-1R	1	23	3	1/4	3.5	115/60/1	254 lbs.	4	Nema 5-15P	28.7" x 33.2" x 83.8"	+33° F (-) +41° F
C-2R	2	49	6	1/3	5.6	115/60/1	419 lbs.	5.5	Nema 5-15P	51.7" x 33.2" x 83.8"	+33° F (-) +41° F
C-3R	3	72	9	1/2	7.6	115/60/1	617 lbs.	8.4	Nema 5-15P	77.8" x 33.2" x 83.8"	+33° F (-) +41° F

* MIGALI[®] RESERVES THE RIGHT TO CHANGE SPECIFICATIONS WITHOUT NOTICE

* TOTAL HEIGHT INCLUDES CASTERS



TOLL FREE: 800.852.5292
WEB: www.migali.com

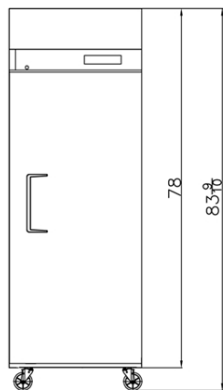


Conforms to NSF 7 Foodservice

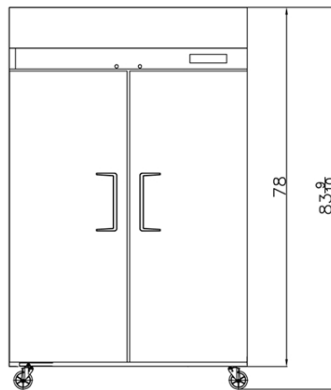


DIMENSIONAL DRAWINGS

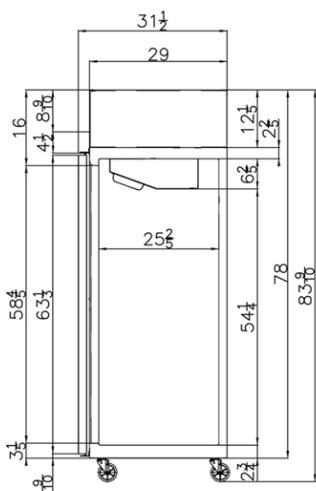
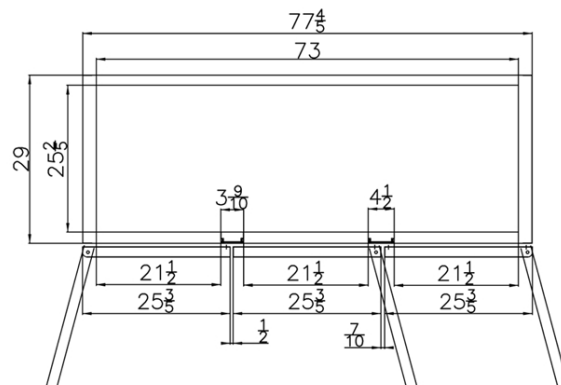
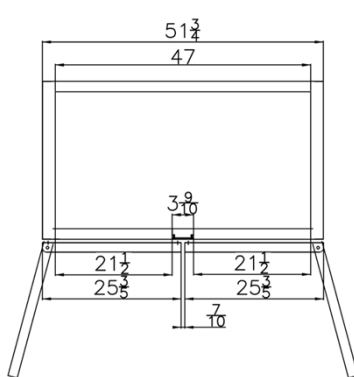
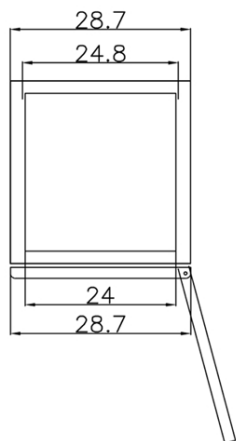
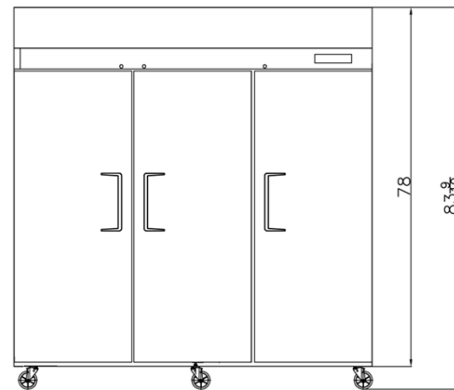
C-1R



C-2R



C-3R



SIDE VIEW (1,2,3) DOOR MODELS



MIGALI® REMAINS AN AMERICAN FAMILY COMPANY SINCE 1955

PROJECT:	_____
LOCATION:	_____
ITEM#:	_____
QUANTITY:	_____

COMPETITOR SERIES®


REACH-IN FREEZERS

- Beautiful ergonomic construction & rounded corners
- Digital temperature controller & read-out
- All stainless steel exterior and interior
- Forced air refrigeration system
- Recessed door handles
- Incandescent interior lighting
- Door locks
- 90 degree hold open door feature for loading products
- Migali® Protection Plan: 1 Year Parts & Labor Warranty, 5 Years Compressor Warranty
- Top mount compressor for enhanced efficiency
- Pre-installed casters and shelving
- Auto-defrost

MODEL	DOORS	Cu/Ft	SHELVES	H/P	AMPS	VOLTAGE	WEIGHT(lbs)	ENERGY CONSUMPTION Kwh/24hr	PLUG TYPE	DIMENSIONS L x D x H	TEMPERATURE RANGE
C-1F	1	23	3	1/2	6.7	115/60/1	265 lbs.	10	Nema 5-15P	28.7" x 33.2" x 83.8"	-10° F (-) 0° F
C-2F	2	49	6	3/4	10.3	115/60/1	441 lbs.	15	Nema 5-15P	51.7" x 33.2" x 83.8"	-10° F (-) 0° F
C-3F	3	72	9	1 & 1/4	9.6	208-230/ 115/60/1	630 lbs.	14.4	Nema L14-20P	77.8" x 33.2" x 83.8"	-10° F (-) 0° F

* MIGALI® RESERVES THE RIGHT TO CHANGE SPECIFICATIONS WITHOUT NOTICE

* TOTAL HEIGHT INCLUDES CASTERS



TOLL FREE: 800.852.5292
WEB: www.migali.com

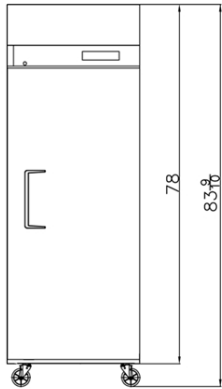


Conforms to NSF 7 Foodservice

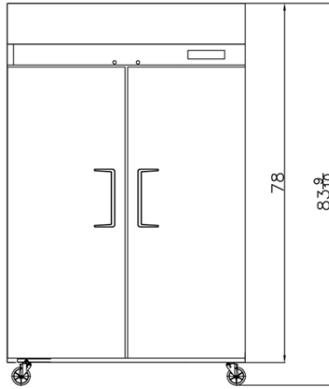


DIMENSIONAL DRAWINGS

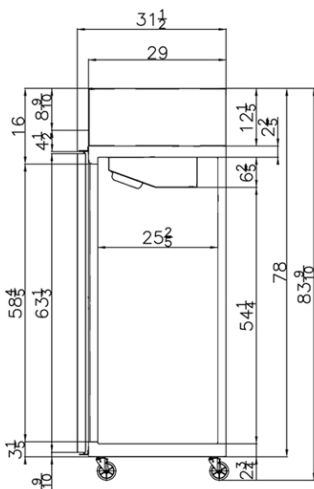
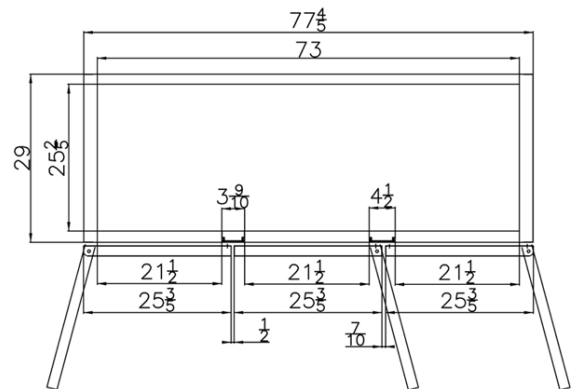
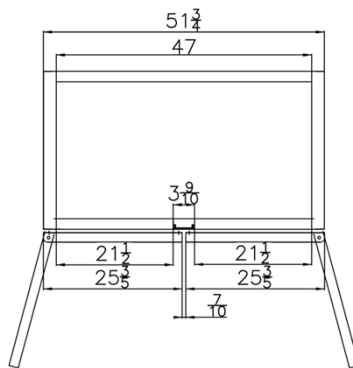
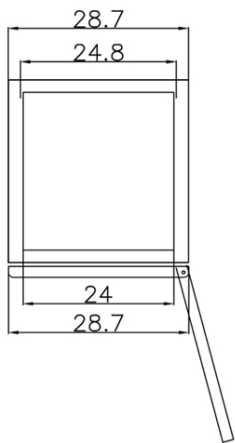
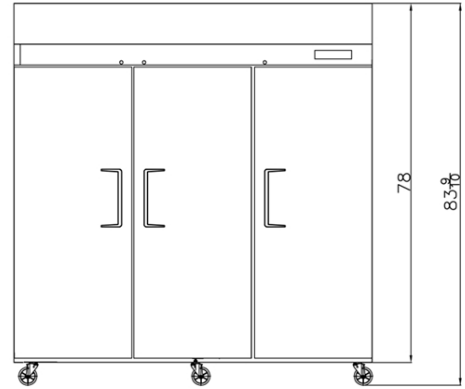
C-1F



C-2F



C-3F



SIDE VIEW (1,2,3) DOOR MODELS



MIGALI® REMAINS AN AMERICAN FAMILY COMPANY SINCE 1955



Migali®

PROJECT: _____
 LOCATION: _____
 ITEM#: _____
 QUANTITY: _____

COMPETITOR SERIES®



C-23RM



C-49RM



C-72RM

HINGED GLASS DOOR REFRIGERATORS

- Beautiful ergonomic construction
- Digital temperature controller & read-out
- White powder coated steel exterior and interior
- Forced air refrigeration system
- Bottom mount compressor
- Recessed door handles
- LED interior lighting
- Bright lighted top display sign
- Low-E, Dual pane glass
- Heavy duty ABS extruded door frame
- Pre-installed casters and shelving
- 90 degree hold open door feature for loading products
- Door locks
- Migali® Protection Plan: 1 Year Parts & Labor Warranty, 5 Years Compressor Warranty

MODEL	DOORS	Cu/Ft	SHELVES	H/P	AMPS	VOLTAGE	WEIGHT(lbs)	ENERGY CONSUMPTION Kwh/24hr	PLUG TYPE	DIMENSIONS L x D x H	TEMPERATURE RANGE
C-23RM	1	23	4	1/4	6.1	115/60/1	195 lbs.	4.5	Nema 5-15P	27" x 31.5" x 81"	+33° F (-) +41° F
C-49RM	2	49	8	1/3	7	115/60/1	445 lbs.	6	Nema 5-15P	54.4" x 31.5" x 81"	+33° F (-) +41° F
C-72RM	3	72	12	1/2	10.2	115/60/1	575 lbs.	?	Nema 5-15P	82" x 31.5" x 81"	+33° F (-) +41° F

* MIGALI® RESERVES THE RIGHT TO CHANGE SPECIFICATIONS WITHOUT NOTICE

* TOTAL HEIGHT INCLUDES CASTERS

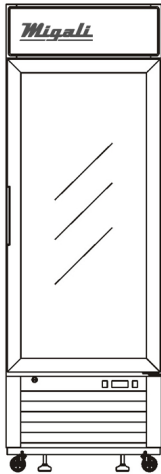


TOLL FREE: 800.852.5292
WEB: www.migali.com

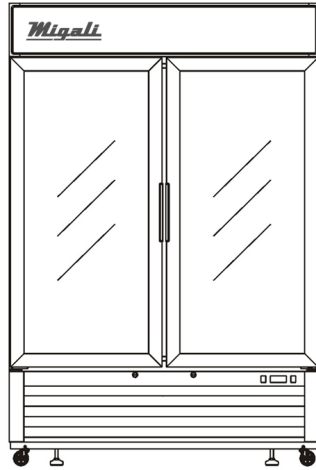


DIMENSIONAL DRAWINGS

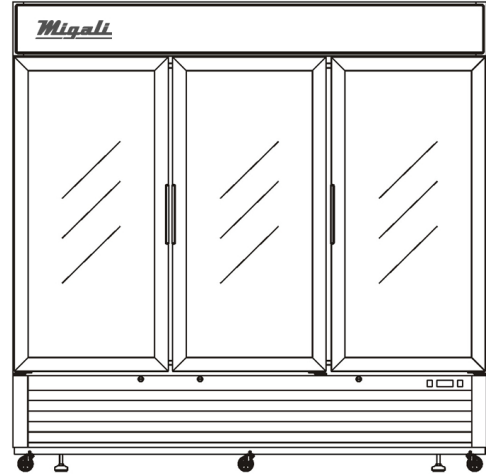
C-23RM



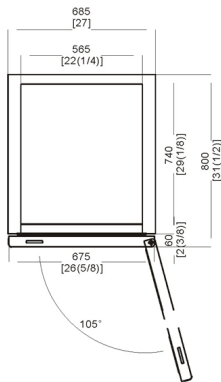
C-49RM



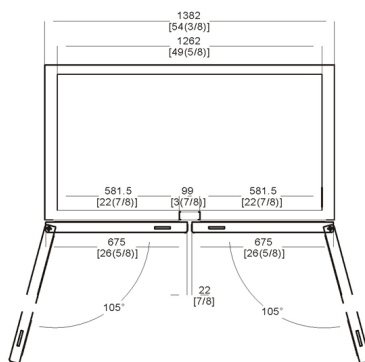
C-72RM



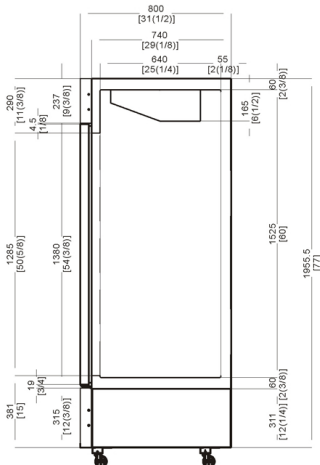
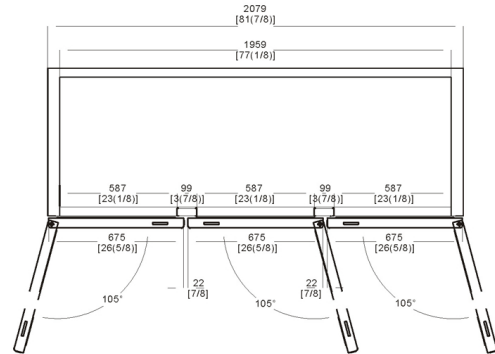
C-23RM TOP VIEW



C-49RM TOP VIEW



C-72RM TOP VIEW



SIDE VIEW (1,2,3) DOORS MODELS



Migali®

MIGALI® REMAINS AN AMERICAN FAMILY COMPANY SINCE 1955

PROJECT:	_____
LOCATION:	_____
ITEM#:	_____
QUANTITY:	_____

COMPETITOR SERIES®

C-49RS

SLIDING GLASS DOOR REFRIGERATORS

- Beautiful ergonomic construction
- Digital temperature controller & read-out
- White powder coated steel exterior and interior
- Forced air refrigeration system
- Bottom mount compressor
- Recessed door handles
- LED interior lighting
- Bright lighted top display sign
- Low-E, Dual pane glass
- Heavy duty ABS extruded door frame
- Pre-installed casters and shelving
- Hold open door feature for loading products
- Door locks
- Migali® Protection Plan: 1 Year Parts & Labor Warranty, 5 Years Compressor

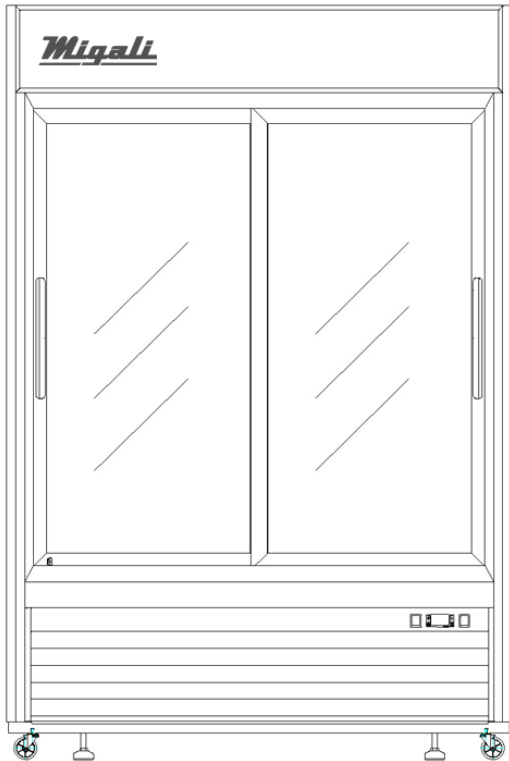
MODEL	DOORS	Cu/Ft	SHELVES	H/P	AMPS	VOLTAGE	WEIGHT(lbs)	ENERGY CONSUMPTION Kwh/24hr	PLUG TYPE	DIMENSIONS L x D x H	TEMPERATURE RANGE
C-49RS	2	49	8	1/3	6.1	115/60/1	445 lbs.	6	Nema 5-15P	54.4" x 31.5" x 81"	+33° F (-) +41° F

* MIGALI® RESERVES THE RIGHT TO CHANGE SPECIFICATIONS WITHOUT NOTICE

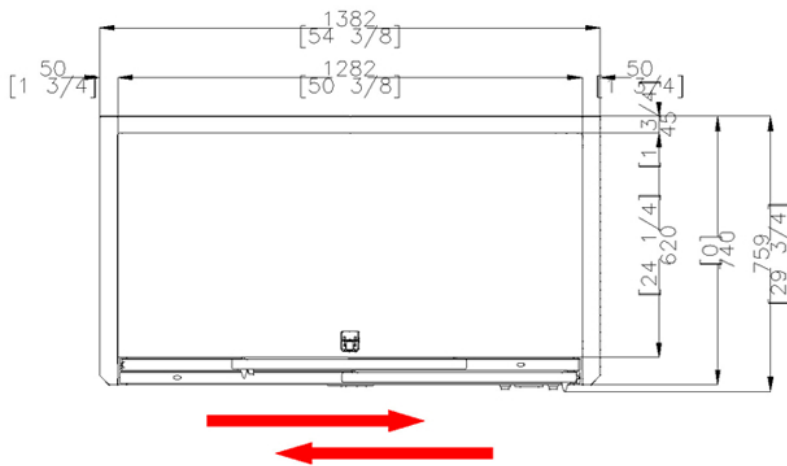
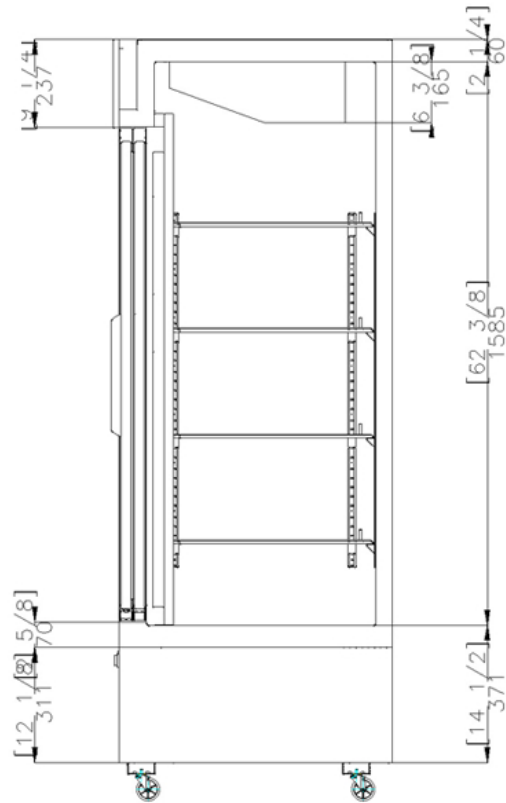
* TOTAL HEIGHT INCLUDES CASTERS

DIMENSIONAL DRAWINGS

C-49RS



SIDE VIEW



C-49RS TOP VIEW



MIGALI® REMAINS AN AMERICAN FAMILY COMPANY SINCE 1955

PROJECT:	_____
LOCATION:	_____
ITEM#:	_____
QUANTITY:	_____

COMPETITOR SERIES®

C-23FM

C-49FM

C-72FM

HINGED GLASS DOOR FREEZERS

- Beautiful ergonomic construction
- Digital temperature controller & read-out
- White powder coated steel exterior and interior
- Forced air refrigeration system
- Bottom mount compressor
- Recessed door handles
- LED interior lighting
- Bright lighted top display sign
- Low-E, Triple pane heated glass
- Heavy duty ABS extruded door frame
- Pre-installed casters and shelving
- 90 degree hold open door feature for loading products
- Door locks
- Migali® Protection Plan: 1 Year Parts & Labor Warranty, 5 Years Compressor Warranty

MODEL	DOORS	Cu/Ft	SHELVES	H/P	AMPS	VOLTAGE	WEIGHT(lbs)	ENERGY CONSUMPTION Kwh/24hr	PLUG TYPE	DIMENSIONS L x D x H	TEMPERATURE RANGE
C-23FM	1	23	4	1/2	7.5	115/60/1	265 lbs.	10	Nema 5-15P	27" x 31.5" x 81"	-10° F (-) 0° F
C-49FM	2	49	8	3/4	12	115/60/1	419 lbs.	12	Nema 5-15P	54.4" x 31.5" x 81"	-10° F (-) 0° F
C-72FM	3	72	12	1&1/2	9.6	208-230/115/60/1	630 lbs.	14.4	Nema L14-20P	82" x 31.5" x 81"	-10° F (-) 0° F

* MIGALI® RESERVES THE RIGHT TO CHANGE SPECIFICATIONS WITHOUT NOTICE

* TOTAL HEIGHT INCLUDES CASTERS



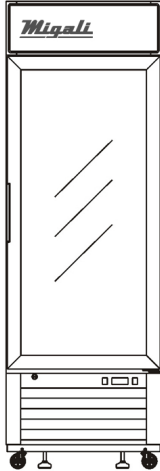
TOLL FREE: 800.852.5292
WEB: www.migali.com



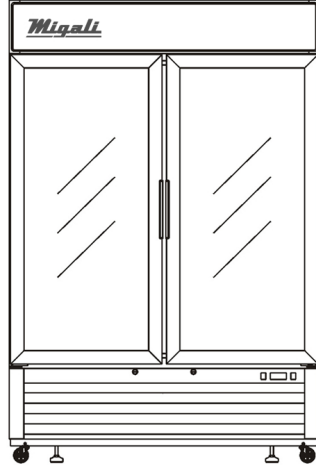
Conforms to NSF 7 Foodservice

DIMENSIONAL DRAWINGS

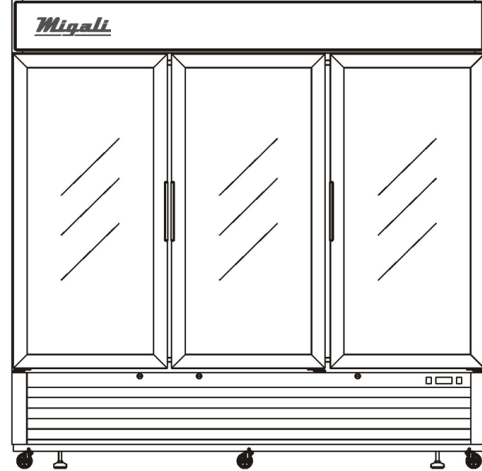
C-23FM



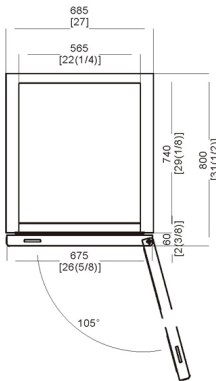
C-49FM



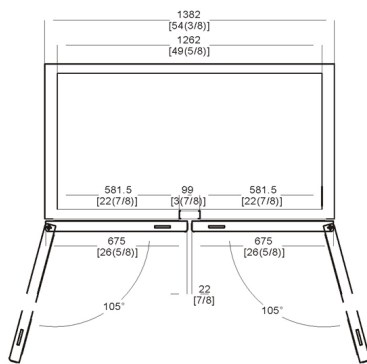
C-72FM



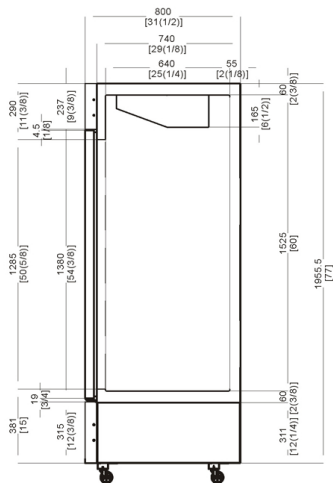
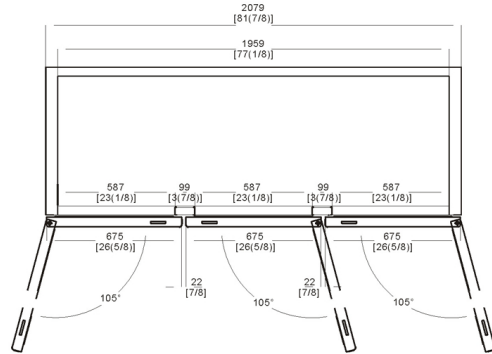
C-23FM TOP VIEW



C-49FM TOP VIEW



C-72FM TOP VIEW



SIDE VIEW (1,2,3) DOORS MODELS



Migali

MIGALI® REMAINS AN AMERICAN FAMILY COMPANY SINCE 1955

PROJECT:	_____
LOCATION:	_____
ITEM#:	_____
QUANTITY:	_____

COMPETITOR SERIES®

C-PP44

C-PP67

C-PP93

PIZZA PREPARATION TABLES

- Beautiful ergonomic construction & rounded corners
- Digital temperature controller and read-out
- All stainless steel exterior and interior
- Forced air refrigeration system
- Side mount compressor for enhanced efficiency
- 19^{1/2}" deep cutting board included
- Recessed door handles
- Pre-installed casters and shelving
- 90 degree hold open door feature for loading products
- Migali® Protection Plan: 1 Year Parts & Labor Warranty, 5 Years Compressor Warranty

MODEL	DOORS	Num. of 1/3 Size Pans*	Cu/Ft	SHELVES	H/P	AMPS	VOLTAGE	WEIGHT(lbs)	ENERGY CONSUMPTION Kwh/24hr	PLUG TYPE	DIMENSIONS L x D x H*	TEMPERATURE RANGE
C-PP44	1	6	14	1	1/3	4.4	115/60/1	309 lbs.	2.9	Nema 5-15P	44" x 33" x 42"	+33° F (-) +41° F
C-PP67	2	9	20	2	1/3	7.6	115/60/1	550 lbs.	3.9	Nema 5-15P	67" x 33" x 42"	+33° F (-) +41° F
C-PP93	3	12	26	3	2/3	9	115/60/1	617 lbs.	4.8	Nema 5-15P	93" x 33" x 42"	+33° F (-) +41° F

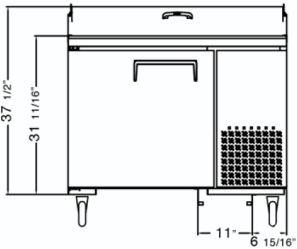
* MIGALI® RESERVES THE RIGHT TO CHANGE SPECIFICATIONS WITHOUT NOTICE

* NOTE: PANS & PAN BARS ARE NOT INCLUDED * TOTAL HEIGHT INCLUDES CASTERS

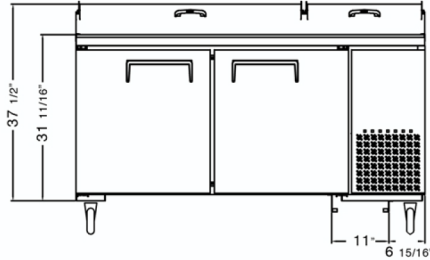
* HEIGHT IS FLOOR TO TOP OF BACK PAN RAIL

DIMENSIONAL DRAWINGS

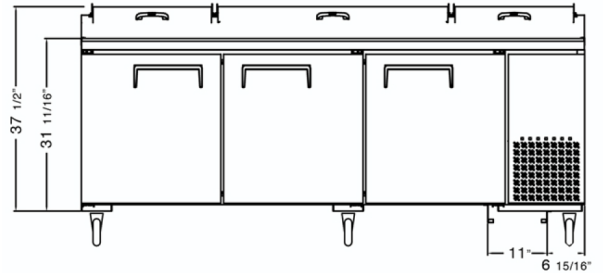
C-PP44



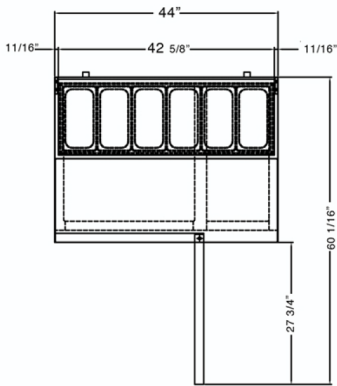
C-PP67



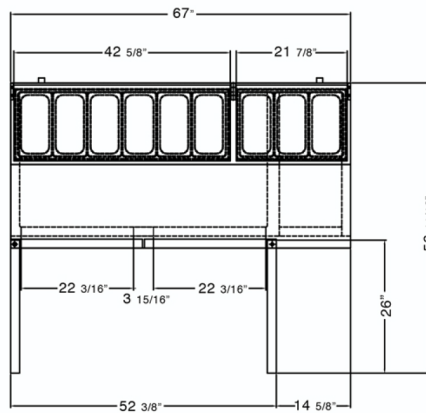
C-PP93



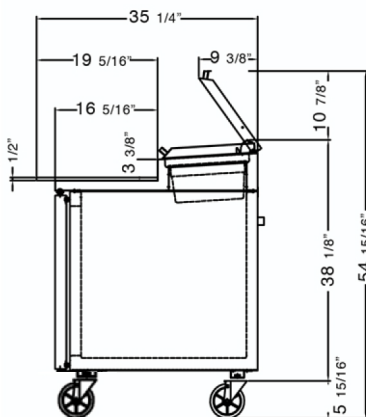
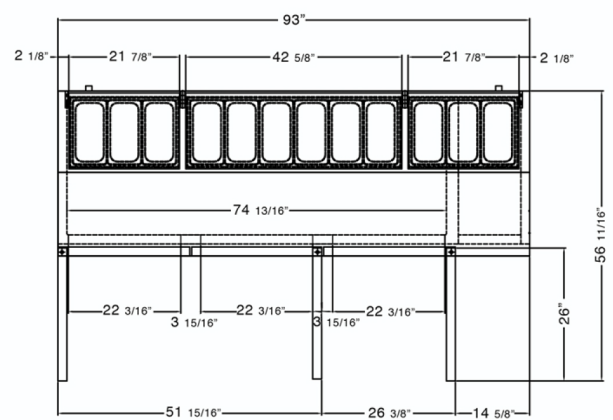
C-PP44 TOP VIEW



C-PP67 TOP VIEW



C-PP93 TOP VIEW



SIDE VIEW (1,2,3 DOOR)



Migali[®]

MIGALI[®] REMAINS AN AMERICAN FAMILY COMPANY SINCE 1955

PROJECT:	_____
LOCATION:	_____
ITEM#:	_____
QUANTITY:	_____

COMPETITOR SERIES®

C-SP27-8

C-SP48-12

C-SP60-16

C-SP72-18

STANDARD TOP SANDWICH PREPARATION TABLES

- Beautiful ergonomic construction & rounded corners
- Digital Controller with Temperature Read-out
- All stainless steel exterior and interior
- Forced air refrigeration system
- 9^{1/4}" deep cutting board included
- Recessed door handles
- Pre-installed casters and shelving
- 90 degree hold open door feature for loading products
- Migali Industries® Protection Plan: 1 Year Parts & Labor Warranty, 5 Years Compressor Warranty

MODEL	DOORS	Num. of 1/6 Size Pans*	Cu/Ft	SHELVES	H/P	AMPS	VOLTAGE	WEIGHT(lbs)	ENERGY CONSUMPTION Kwh/24hr	PLUG TYPE	DIMENSIONS L x D x H	TEMPERATURE RANGE
C-SP27-8	1	8	6.5	1	1/4	3.3	115/60/1	198 lbs.	2.6	Nema 5-15P	27.5" x 30" x 43.7"	+33° F (-) +41° F
C-SP48-12	2	12	12	2	1/3	5.1	115/60/1	242 lbs.	3.6	Nema 5-15P	48.2" x 30" x 43.7"	+33° F (-) +41° F
C-SP60-16	2	16	18.2	2	1/2	5.1	115/60/1	300 lbs.	3.6	Nema 5-15P	60.2" x 30" x 43.7"	+33° F (-) +41° F
C-SP72-18	3	18	24.5	3	1/2	5.7	115/60/1	373 lbs.	4.1	Nema 5-15P	72.7" x 30" x 43.7"	+33° F (-) +41° F

* MIGALI® RESERVES THE RIGHT TO CHANGE SPECIFICATIONS WITHOUT NOTICE

* NOTE: PAN BARS ARE INCLUDED
* NOTE: PANS ARE NOT INCLUDED

* TOTAL HEIGHT INCLUDES CASTERS



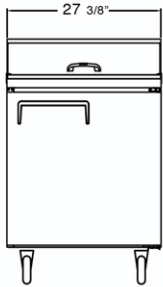
TOLL FREE: 800.852.5292
WEB: www.migali.com



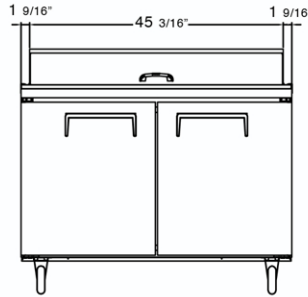
Conforms to NSF 7 Foodservice

DIMENSIONAL DRAWINGS

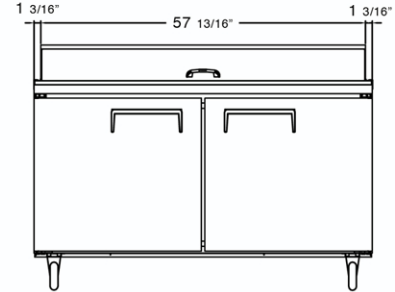
C-SP27-8



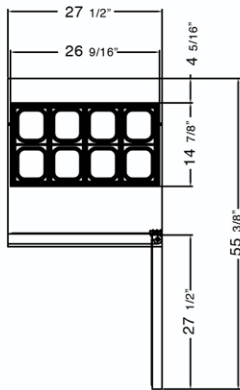
C-SP48-12



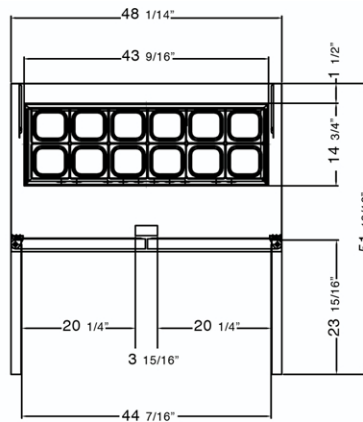
C-SP60-16



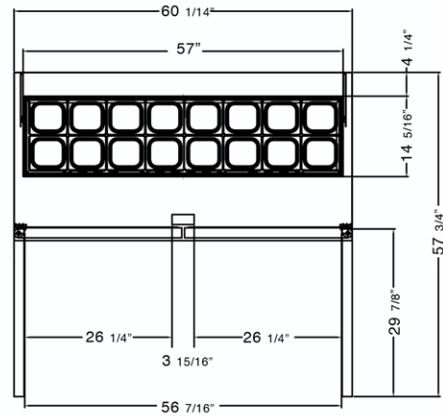
C-SP27-8 TOP VIEW



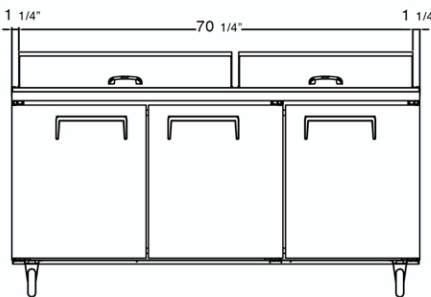
C-SP48-12 TOP VIEW



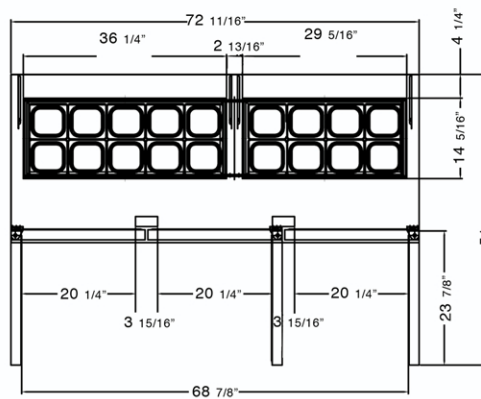
C-SP60-16 TOP VIEW



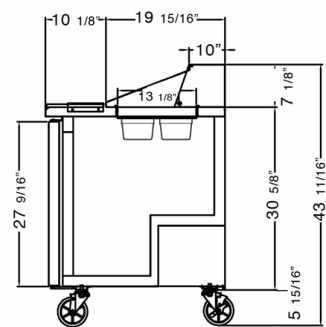
C-SP72-18



C-SP72-18 TOP VIEW



SIDE VIEW(1,2,3 DOOR)



Migali[®]

MIGALI[®] REMAINS AN AMERICAN FAMILY COMPANY SINCE 1955

PROJECT:	_____
LOCATION:	_____
ITEM#:	_____
QUANTITY:	_____

COMPETITOR SERIES®

C-SP27-12BT

C-SP48-18BT

C-SP60-24BT

C-SP72-30BT

BIG TOP SANDWICH PREPARATION TABLES

- Beautiful ergonomic construction & rounded corners
- Digital Controller with Temperature Read-out
- All stainless steel exterior and interior
- Forced air refrigeration system
- 9^{1/4}" deep cutting board included
- Recessed door handles
- Pre-installed casters and shelving
- 90 degree hold open door feature for loading products
- Migali® Protection Plan: 1 Year Parts & Labor Warranty, 5 Years Compressor Warranty

MODEL	DOORS	Num. of 1/8 Size Pans*	Cu/Ft	SHELVES	H/P	AMPS	VOLTAGE	WEIGHT(lbs)	ENERGY CONSUMPTION Kwh/24hr	PLUG TYPE	DIMENSIONS L x D x H	TEMPERATURE RANGE
C-SP27-12BT	1	12	6.5	1	1/4	3.3	115/60/1	209 lbs.	2.6	Nema 5-15P	27.5" x 34" x 46.6"	+33° F (-) +41° F
C-SP48-18BT	2	18	12	2	1/3	5.1	115/60/1	253 lbs.	3.6	Nema 5-15P	48.2" x 34" x 46.6"	+33° F (-) +41° F
C-SP60-24BT	2	24	18.2	2	1/2	5.1	115/60/1	338 lbs.	3.6	Nema 5-15P	60.2" x 34" x 46.6"	+33° F (-) +41° F
C-SP72-30BT	3	30	24.5	3	1/2	5.7	115/60/1	387 lbs.	4.1	Nema 5-15P	72.7" x 34" x 46.6"	+33° F (-) +41° F

* MIGALI® RESERVES THE RIGHT TO CHANGE SPECIFICATIONS WITHOUT NOTICE

* NOTE: PAN BARS ARE INCLUDED
* NOTE: PANS ARE NOT INCLUDED

* TOTAL HEIGHT INCLUDES CASTERS



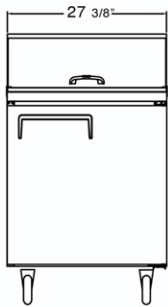
TOLL FREE: 800.852.5292
WEB: www.migali.com



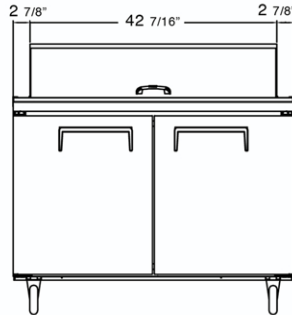
Conforms to NSF 7 Foodservice

DIMENSIONAL DRAWINGS

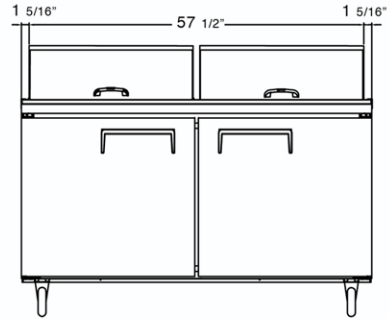
C-SP27-12BT



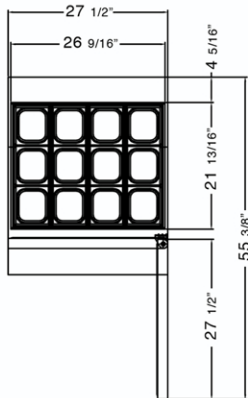
C-SP48-18BT



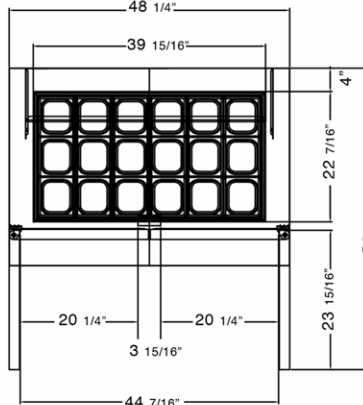
C-SP60-24BT



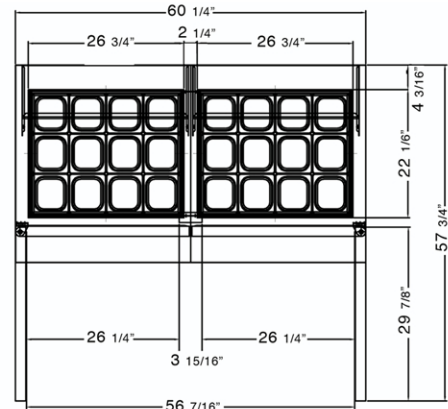
C-SP27-12BT TOP VIEW



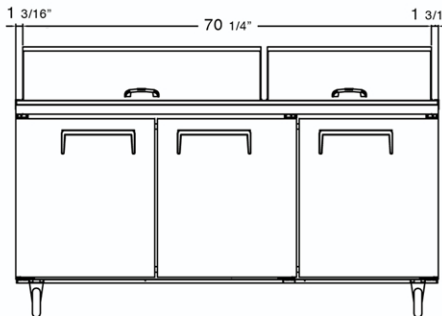
C-SP48-18BT TOP VIEW



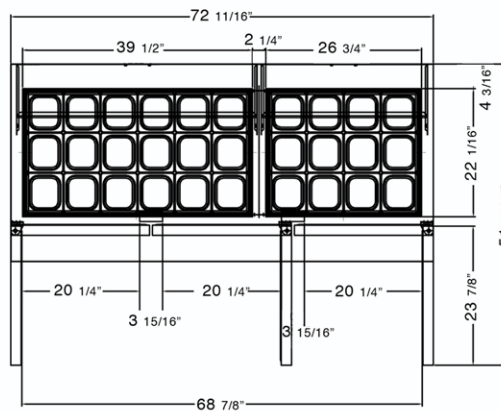
C-SP60-24BT TOP VIEW



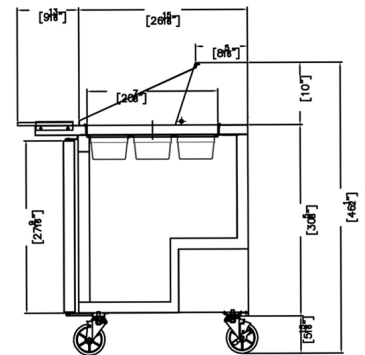
C-SP72-30BT



C-SP72-30BT TOP VIEW



SIDE VIEW(1,2,3 DOOR)



Migali[®]

MIGALI[®] REMAINS AN AMERICAN FAMILY COMPANY SINCE 1955



Migali®

PROJECT: _____
 LOCATION: _____
 ITEM#: _____
 QUANTITY: _____

COMPETITOR SERIES®



C-U27R



C-U48R



C-U60R



C-U72R

UNDER-COUNTER/WORK TOP REFRIGERATORS

- Beautiful ergonomic construction & rounded corners
- Digital Controller with Temperature Read-out
- All stainless steel exterior and interior
- Forced air refrigeration system
- Recessed door handles
- Pre-installed casters and shelving
- 90 degree hold open door feature for loading products
- Optional Accessory: Backsplash for Work-Tops for in-the-field installment
- Migali® Protection Plan: 1 Year Parts & Labor Warranty, 5 Years Compressor Warranty

MODEL	DOORS	CU/FT	SHELVES	H/P	AMPS	VOLTAGE	WEIGHT(lbs)	ENERGY CONSUMPTION Kwh/24hr	PLUG TYPE	DIMENSIONS L x D x H	TEMPERATURE RANGE
C-U27R	1	6.5	1	1/4	2.5	115/60/1	187 lbs.	1.9	Nema 5-15P	27.5" x 30" x 36.5"	+33° F (-) +41° F
C-U48R	2	12	2	1/3	3.5	115/60/1	232 lbs.	2.8	Nema 5-15P	48.2" x 30" x 36.5"	+33° F (-) +41° F
C-U60R	2	18.2	2	1/2	3.6	115/60/1	287 lbs.	2.8	Nema 5-15P	60.2" x 30" x 36.5"	+33° F (-) +41° F
C-U72R	3	24.5	3	1/2	3.6	115/60/1	298 lbs.	2.8	Nema 5-15P	72.7" x 30" x 36.5"	+33° F (-) +41° F

* MIGALI® RESERVES THE RIGHT TO CHANGE SPECIFICATIONS WITHOUT NOTICE

* TOTAL HEIGHT INCLUDES CASTERS



TOLL FREE: 800.852.5292
WEB: www.migali.com

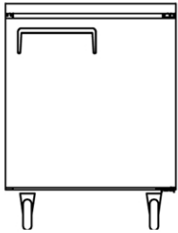


Conforms to NSF 7 Foodservice

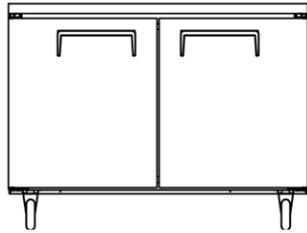


DIMENSIONAL DRAWINGS

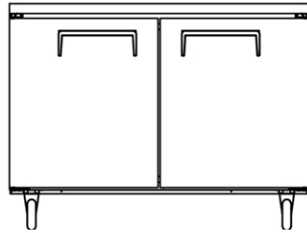
C-U27R



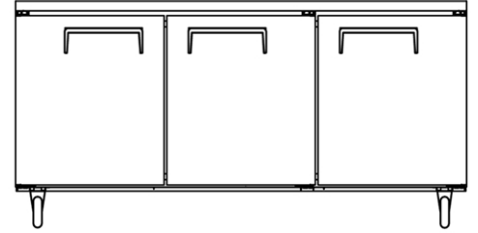
C-U48R



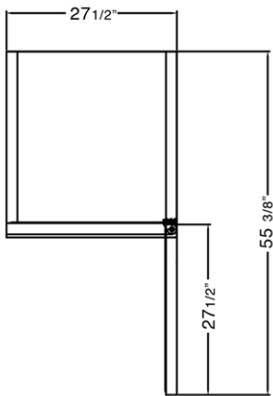
C-U60R



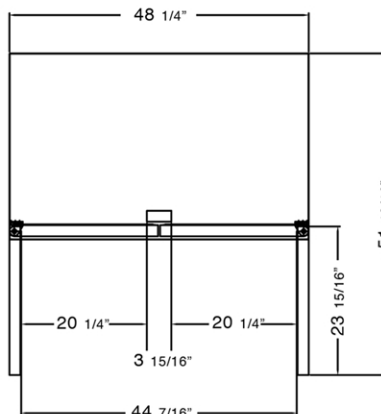
C-U72R



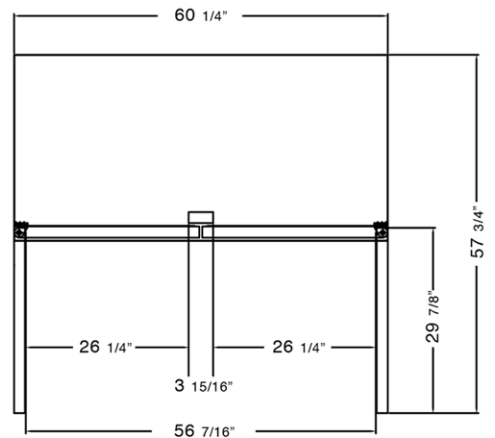
C-U27R TOP VIEW



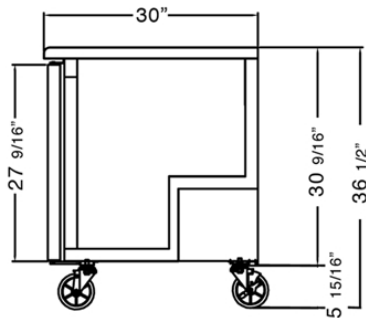
C-U48R TOP VIEW



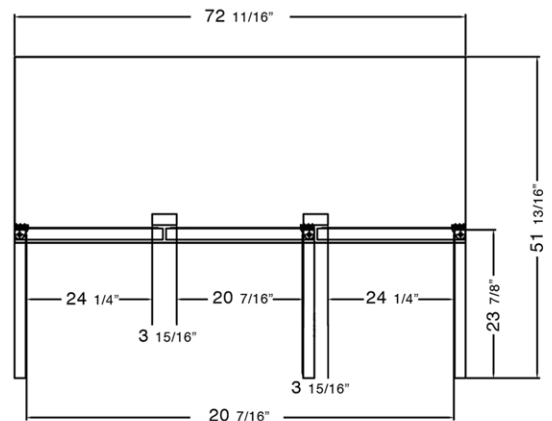
C-U60R TOP VIEW



SIDE VIEW (1,2,3) DOORS MODELS



C-U72R TOP VIEW



Migali[®]

MIGALI[®] REMAINS AN AMERICAN FAMILY COMPANY SINCE 1955

PROJECT:	_____
LOCATION:	_____
ITEM#:	_____
QUANTITY:	_____

COMPETITOR SERIES®

C-U27F

C-U48F

C-U60F

UNDER-COUNTER/WORK TOP FREEZERS

- Beautiful ergonomic construction & rounded corners
- Digital Controller with Temperature Read-out
- All stainless steel exterior and interior
- Forced air refrigeration system
- Recessed door handles
- Pre-installed casters and shelving
- 90 degree hold open door feature for loading products
- Optional Accessory: Backsplash for Work-Tops for in-the-field installment
- Migali® Protection Plan: 1 Year Parts & Labor Warranty, 5 Years Compressor Warranty

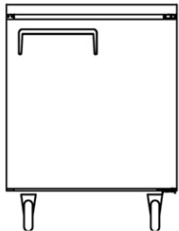
MODEL	DOORS	CU/FT	SHELVES	H/P	AMPS	VOLTAGE	WEIGHT(lbs)	ENERGY CONSUMPTION Kwh/24hr	PLUG TYPE	DIMENSIONS L x D x H	TEMPERATURE RANGE
C-U27F	1	6.5	1	1/4	4.4	115/60/1	195 lbs.	3.4	Nema 5-15P	27.5" x 30" x 36.5"	-7° F (-) 3° F
C-U48F	2	12	2	1/3	6.5	115/60/1	244 lbs.	6.5	Nema 5-15P	48.2" x 30" x 36.5"	-7° F (-) 3° F
C-U60F	2	18.2	2	1/2	6.5	115/60/1	302 lbs.	6.6	Nema 5-15P	60.2" x 30" x 36.5"	-7° F (-) 3° F

* MIGALI® RESERVES THE RIGHT TO CHANGE SPECIFICATIONS WITHOUT NOTICE

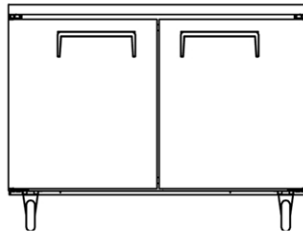
* TOTAL HEIGHT INCLUDES CASTERS

DIMENSIONAL DRAWINGS

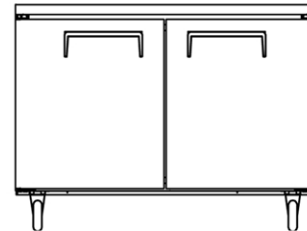
C-U27F



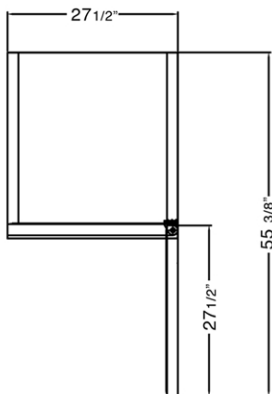
C-U48F



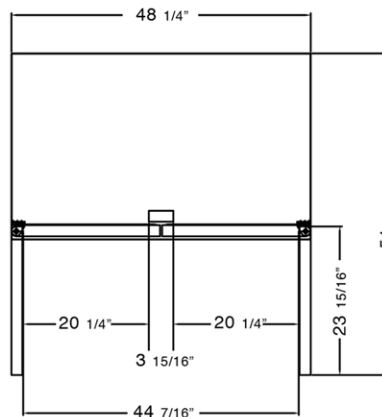
C-U60F



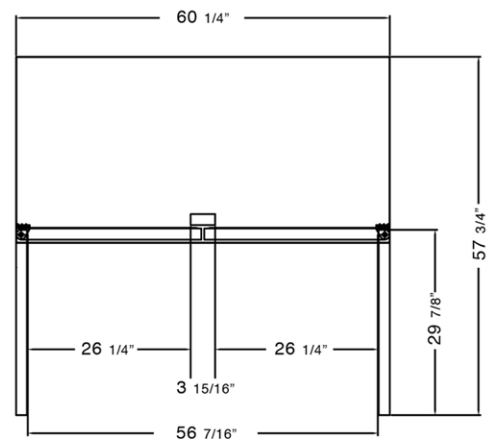
C-U27F TOP VIEW



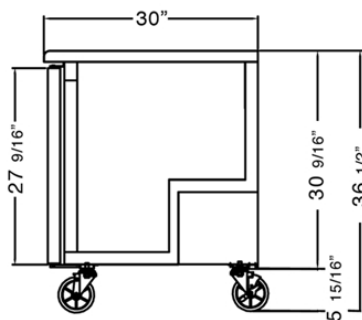
C-U48F TOP VIEW



C-U60F TOP VIEW



SIDE VIEW (1,2,3) DOORS MODELS



MIGALI® REMAINS AN AMERICAN FAMILY COMPANY SINCE 1955

PROJECT:	_____
LOCATION:	_____
ITEM#:	_____
QUANTITY:	_____

COMPETITOR SERIES®

C-BB48G

C-BB60G

C-BB72G

GLASS DOOR BACK BAR REFRIGERATORS

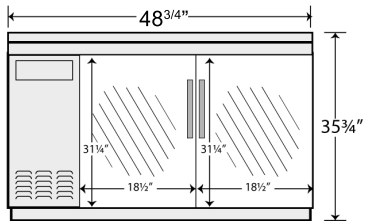
- Beautiful ergonomic construction
- Black corrosion resistant steel exterior, stainless steel interior and stainless steel top
- Digital controller and temperature read-out
- Forced air refrigeration system
- Side mount compressor
- Safety-grip door handles
- LED interior lighting
- Door locks
- (4) leveling feet included
- Accessory: optional casters upon request
- Migali® Protection Plan: 1 Year Parts & Labor Warranty, 5 Years Compressor Warranty

MODEL	DOORS	Cu/Ft	SHELVES	H/P	AMPS	VOLTAGE	WEIGHT(lbs)	PLUG TYPE	DIMENSIONS L x D x H	TEMPERATURE RANGE
C-BB48G	2	11.8	4	1/3	6.4	115/60/1	315 lbs.	Nema 5-15P	48.75" x 24.4" x 35.75"	+33° F (-) +38° F
C-BB60G	2	15.8	4	1/3	6.4	115/60/1	381 lbs.	Nema 5-15P	60.8" x 24.4" x 35.75"	+33° F (-) +38° F
C-BB72G	3	19.6	6	1/3	7.4	115/60/1	410 lbs.	Nema 5-15P	72.8" x 24.4" x 35.75"	+33° F (-) +38° F

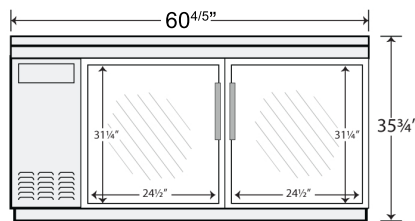
* MIGALI® RESERVES THE RIGHT TO CHANGE SPECIFICATIONS WITHOUT NOTICE

DIMENSIONAL DRAWINGS

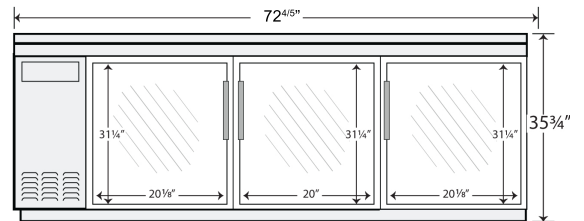
C-BB48G



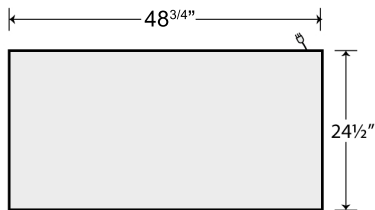
C-BB60G



C-BB72G

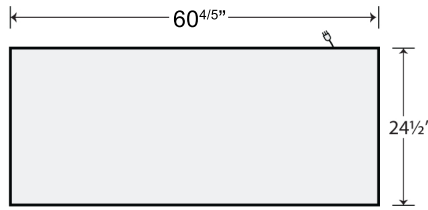


C-BB48G TOP VIEW



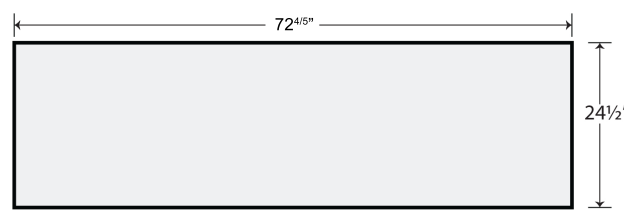
TOP VIEW

C-BB60G TOP VIEW

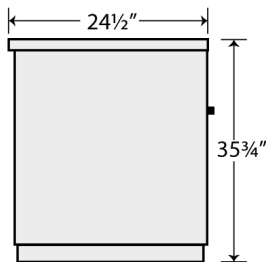


TOP VIEW

C-BB72G TOP VIEW



TOP VIEW



SIDE VIEW (1,2,3 DOORS)



MIGALI® REMAINS AN AMERICAN FAMILY COMPANY SINCE 1955

PROJECT:	_____
LOCATION:	_____
ITEM#:	_____
QUANTITY:	_____

COMPETITOR SERIES®

C-BB48

C-BB60

C-BB72

SOLID DOOR BACK BAR REFRIGERATORS

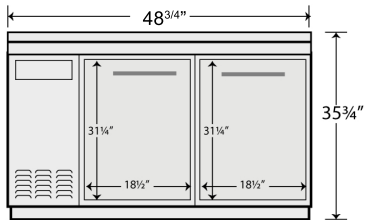
- Beautiful ergonomic construction
- Black corrosion resistant steel exterior, stainless steel interior and stainless steel top
- Digital controller and temperature read-out
- Forced air refrigeration system
- Side mount compressor
- Recessed door handles
- LED interior lighting
- Door locks
- (4) leveling feet included
- Accessory: optional casters upon request
- Migali® Protection Plan: 1 Year Parts & Labor Warranty, 5 Years Compressor Warranty

MODEL	DOORS	Cu/Ft	SHELVES	H/P	AMPS	VOLTAGE	WEIGHT(lbs)	PLUG TYPE	DIMENSIONS L x D x H	TEMPERATURE RANGE
C-BB48	2	11.8	4	1/3	6.4	115/60/1	315 lbs.	Nema 5-15P	48.75" x 24.4" x 35.75"	+33° F (-) +38° F
C-BB60	2	15.8	4	1/3	6.4	115/60/1	381 lbs.	Nema 5-15P	60.8" x 24.4" x 35.75"	+33° F (-) +38° F
C-BB72	3	19.6	6	1/3	7.4	115/60/1	410 lbs.	Nema 5-15P	72.8" x 24.4" x 35.75"	+33° F (-) +38° F

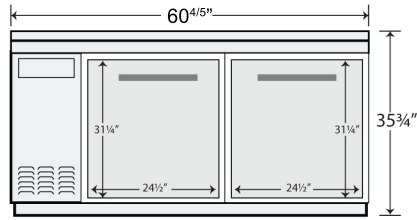
* MIGALI® RESERVES THE RIGHT TO CHANGE SPECIFICATIONS WITHOUT NOTICE

DIMENSIONAL DRAWINGS

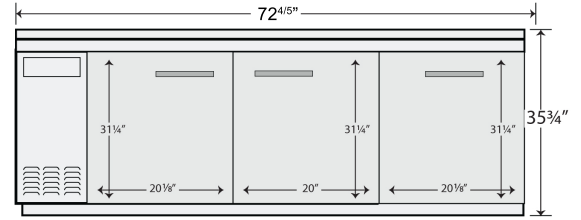
C-BB48



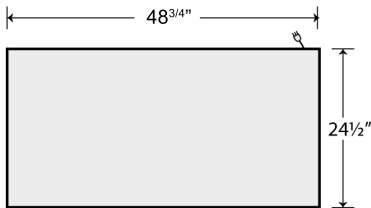
C-BB60



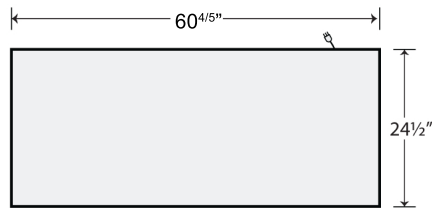
C-BB72



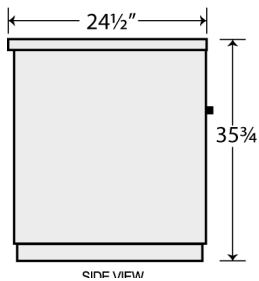
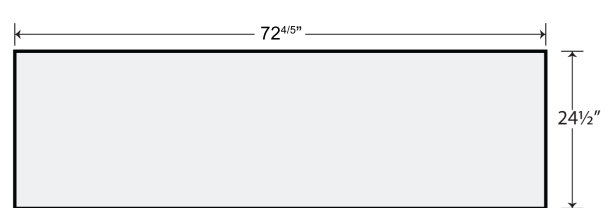
C-BB48 TOP VIEW



C-BB60 TOP VIEW



C-BB72 TOP VIEW



SIDE VIEW (1,2,3 DOORS)



MIGALI® REMAINS AN AMERICAN FAMILY COMPANY SINCE 1955

PROJECT:	_____
LOCATION:	_____
ITEM#:	_____
QUANTITY:	_____

COMPETITOR SERIES®

C-DD48-2

C-DD60-2

C-DD72-3

DIRECT DRAW BEER DISPENSER REFRIGERATORS

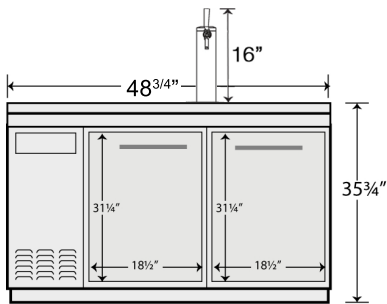
- Beautiful ergonomic appearance
- Digital controller and temperature read-out
- Black corrosion resistant steel exterior, stainless steel interior and stainless steel top
- Forced air refrigeration system
- Air tubes to refrigerate beer towers
- Side mount compressor
- Recessed door handles
- (4) leveling feet included
- Accessory: optional casters upon request
- Migali® Protection Plan: 1 Year Parts & Labor Warranty, 5 Years Compressor Warranty

MODEL	DOORS	Cu/Ft	KEG CAPACITY	BEER TOWERS	H/P	AMPS	VOLTAGE	WEIGHT(lbs)	ENERGY CONSUMPTION Kwh/24hr	PLUG TYPE	DIMENSIONS L x D x H	TEMPERATURE RANGE
C-DD48-2	2	11.8	2	(1) Single Head	1/3	6.4	115/60/1	325 lbs.	3.4	Nema 5-15P	48.75" x 24.4" x 35.75"	+33° F (-) +38° F
C-DD60-2	2	15.8	2	(2) Single Head	1/3	6.4	115/60/1	394 lbs.	6.5	Nema 5-15P	60.75" x 24.4" x 35.75"	+33° F (-) +38° F
C-DD72-3	3	19.6	3	(2) Single Head	1/3	7.4	115/60/1	423 lbs.	6.6	Nema 5-15P	72.75" x 24.4" x 35.75"	+33° F (-) +38° F

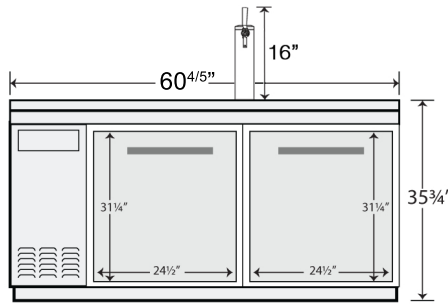
* MIGALI® RESERVES THE RIGHT TO CHANGE SPECIFICATIONS WITHOUT NOTICE

DIMENSIONAL DRAWINGS

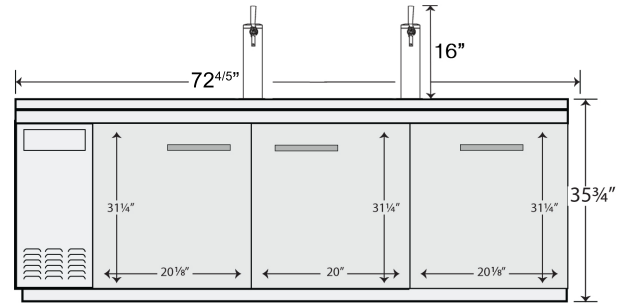
C-DD48-2



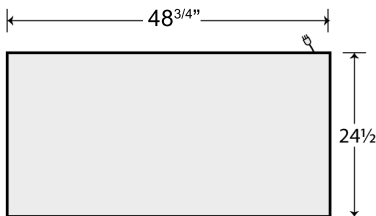
C-DD60-2



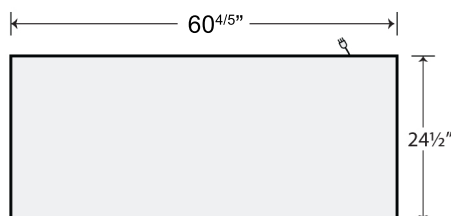
C-DD72-3



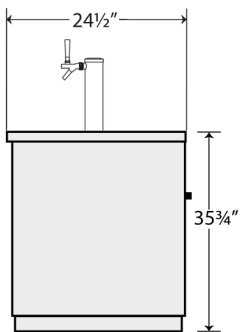
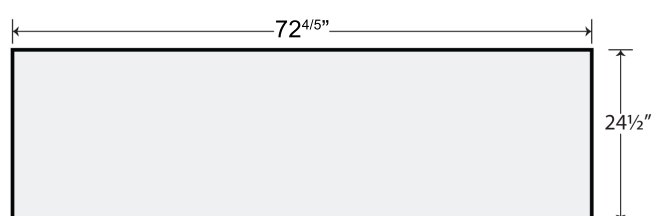
C-DD48-2 TOP VIEW



C-DD60-2 TOP VIEW



C-DD72-3 TOP VIEW



SIDE VIEW (1,2,3 DOORS)



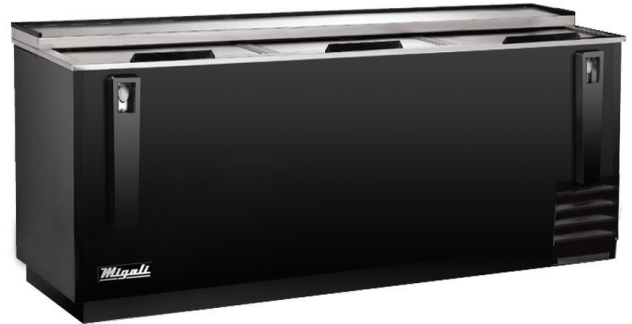
Migali[®]

MIGALI[®] REMAINS AN AMERICAN FAMILY COMPANY SINCE 1955

PROJECT:	_____
LOCATION:	_____
ITEM#:	_____
QUANTITY:	_____

COMPETITOR SERIES®

C-HBC50

C-HBC65

C-HBC95

HORIZONTAL BOTTLE COOLERS

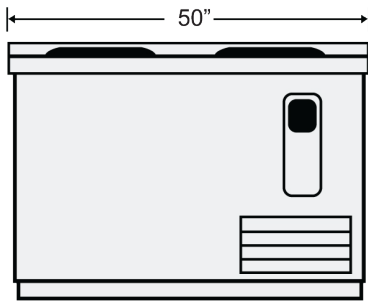
- Beautiful ergonomic appearance
- Digital controller and temperature read-out
- Black corrosion resistant steel exterior, stainless steel interior and stainless steel top
- Forced air refrigeration system
- Side mount compressor
- (4) leveling feet included
- Door locks for each lid
- Accessory: optional casters upon request
- Bottle opener and cap catcher included
- Migali® Protection Plan: 1 Year Parts & Labor Warranty, 5 Years Compressor Warranty

MODEL	SLIDING LIDS WITH LOCK	CAPACITY	BIN DIVIDERS	H/P	AMPS	VOLTAGE	WEIGHT(lbs)	ENERGY CONSUMPTION Kwh/24hr	PLUG TYPE	DIMENSIONS L x D x H	TEMPERATURE RANGE
C-HBC50	2	16.5 (12oz) Bottle Cases 24 (12 oz) Can Cases	3	1/3	8	115/60/1	325 lbs.	3.4	Nema 5-15P	50" x 28.5" x 33"	+33° F (-) +38° F
C-HBC65	2	24 (12oz) Bottle Cases 32 (12 oz) Can Cases	3	1/3	8	115/60/1	394 lbs.	6.5	Nema 5-15P	65" x 28.5" x 33"	+33° F (-) +38° F
C-HBC95	3	37 1/2 (12oz) Bottle Cases 55 (12 oz) Can Cases	5	1/2	7.4	115/60/1	423 lbs.	6.6	Nema 5-15P	95" x 28.5" x 33"	+33° F (-) +38° F

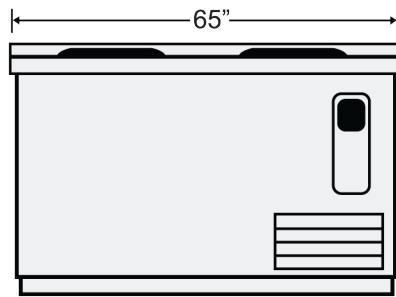
* MIGALI® RESERVES THE RIGHT TO CHANGE SPECIFICATIONS WITHOUT NOTICE

DIMENSIONAL DRAWINGS

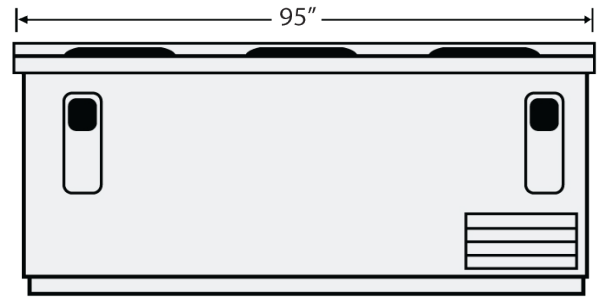
C-HBC50



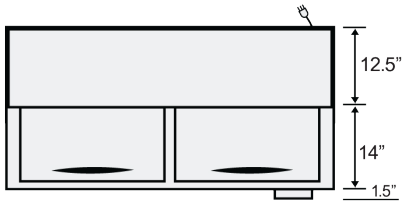
C-HBC65



C-HBC95



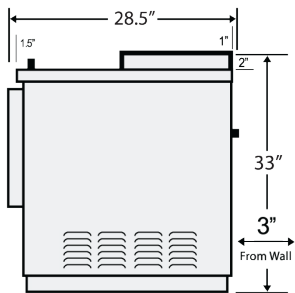
C-HBC50 TOP VIEW



C-HBC65 TOP VIEW



C-HBC95 TOP VIEW



SIDE VIEW (1,2,3 DOORS)



MIGALI® REMAINS AN AMERICAN FAMILY COMPANY SINCE 1955



COMPETITOR SERIES®

WARRANTY PROTECTION PLAN

(1) Year Labor Warranty: Migali warrants to the original purchasers of the Migali unit sold a 1 Year Service Warranty, which begins at the date of registration or (90) days from the date of shipment by us, which ever is earlier. Migali reserves the right to service the unit only with an authorized Migali service agent. Unauthorized service of the unit is not subject to this warranty. The term "original purchaser" as used herein shall be deemed to mean that person, firm, association or corporation for whom the refrigeration unit referred to herein is originally installed. Any part returned to company under the terms of this warranty must be accompanied by a record of the cabinet model number, serial number, return authorization number, and such return shall be on the basis of Transportation charges prepaid.

(1) Year Parts: Migali warrants to the original purchaser the Migali unit sold and all parts thereof to be free from defects in material or workmanship, under normal use and service for a period of 1 year, from the date of registration, or (15) months from the date of shipment by us, whichever is earlier. Our obligation under this warranty shall be limited to repairing or replacing F.O.B. factory any of such product which proves thus defective and which our examination shall disclose to our satisfaction to be defective. Transportation Charges for Warranty Parts are to be prepaid by Claimant.

(5) Years Compressor: Migali warrants the hermetically sealed compressor for (5) years, not to exceed (63) months from the date of shipment from our plant, provided, upon receipt of the compressor, manufacturer examination shows the sealed compressor to be defective. This extended warranty does not apply to any electrical controls, accumulator, or wiring harness, which items are covered by the parts warranty listed below. Transportation Charges for Warranty Compressor are to be prepaid by claimant. The compressor warranty is valid for (1) compressor per refrigeration unit.

Migali reserves the right to void this warranty due to the following: A. Improper operation due to low voltage conditions, inadequate wiring, and accidents or damages that are not manufacturing defects. These are strictly the responsibility of the purchaser. B. Condenser coils must be cleaned at regular intervals, at least once per month. Failure to do so can cause compressor malfunction, and it will void the warranty C. These units must operate in normal ambient conditions, temperatures of 90 degrees F and 50% relative humidity. Overheating due to excessively hot environments may void the portions of this warranty. D. These units are for in door use only. No claims can be made against this warranty for loss of product. This contract does not apply outside the limits of the USA or Canada, nor does it apply to any part which has been subject to misuse, neglect, alternation, accident, or to any damage caused by transportation, flood, fire or the acts of God.

These warranties are in lieu of all other warranties, expressed or implied, and all other obligations or liabilities on our part, and we we neither assume nor authorize any other person to assume for us any other obligation or liability in connection with the sale of said refrigeration units or any part thereof. This warranty shall not be assignable and shall be honored only in so far as the original purchaser.

All Warranty Service Calls must be Pre-approved by Migali prior to contracting service agents or purchasing over-the-counter parts for reimbursement.

FOR SERVICE CALL TOLL FREE: 1-800-852-5292

PLEASE HAVE THE MODEL & SERIAL NUMBER IN HAND WHEN CALLING

ALTHOUGH WE WILL DO OUR BEST TO HAVE A SERVICE AGENT ON SITE QUICKLY, SERVICE FOR LABOR WARRANTY MAY TAKE FROM 24 TO 72 HOURS DEPENDING ON AVAILABILITY



TOLL FREE: 800.852.5292
WEB: www.migali.com

THE FOLLOWING ITEMS ARE COVERED UNDER THE MIGALI PROTECTION PLAN

Compressor:

Hermetically Sealed Compressor

Parts:

Compressor starting components (Capacitor, Overload & Relay), Evaporator and Condenser Coils, Evaporator and Condenser Motors, Fan Blades, Drier Filter, Capillary Tubes, Thermostats, Temperature Displays, Timers, Refrigerants including 404a and 134a (limit to the full charge amount (oz) listed on the model serial tag), Drain Line Heater Wires, Condensate Heating Elements, Evaporator Defrost Rods.

Labor:

Service necessary for the malfunctioning of any parts listed above under normal operating conditions to be reimbursed according to Migali Labor Guideline Form

Freight:

UPS freight charges will be prepaid by Migali if the defective compressors or parts are diagnosed as defective within (365) days of the warranty registration date. Migali pays UPS ground charges only. All other expedited freight charges are the responsibility of the owner/operator.

THE FOLLOWING ITEMS ARE NOT COVERED UNDER THE MIGALI PROTECTION PLAN

Compressor:

Compressor or compressor parts deemed defective through improper maintenance and cleaning, incorrect or low voltages, GFI related and electrical surge issues, or improper installation of the refrigeration unit.

Parts:

Door Gaskets, Door or Lid Handles, Body of the Refrigeration Unit, Casters, Door or Lid Hinges, Door Opening Breaker Caps, breakage of any parts or hardware due to improper use such as standing on the refrigerator or mishandling damages.

Labor:

Water from ambient humidity inside or outside of the unit (unless due to defective heating element), Clogged evaporator drains, re-adjusting and leveling of unit, Iced-up evaporator coil due to temperature controls set too low, problems caused by improper installation and negligence of operator.

Stored Product & Loss of Revenue:

Migali ASSUMES NO RESPONSIBILITY FOR INCIDENTAL, CONSEQUENTIAL, OR OTHER DAMAGES INCLUDING, BUT NOT LIMITED TO LOSS OR DAMAGE TO PROPERTY, LOSS OF PROFITS OR REVENUE, LOSS OF THE UNIT, LOSS OF STORED PRODUCT, LOSS OF TIME, OR INCONVENIENCE.

Freight:

UPS freight charges must be paid by the owner/operator if any parts or compressors are diagnosed as defective (365) days after the registration date.



MIGALI® REMAINS AN AMERICAN FAMILY COMPANY SINCE 1955



COMPETITOR SERIES®



Conforms to NSF 7 Foodservice



MIGALI® REMAINS AN AMERICAN FAMILY COMPANY SINCE 1955



MIGALI INDUSTRIES, INC

516 Lansdowne Ave. Camden NJ 08104

Toll Free: 800 852 5292 Fax: 856 963 3604

Email: contact@migali.com Web: www.migali.com