

Standard Features

BES/17SC

Job # _____

- Energy Star Compliant
- 7.5 kW high efficiency heating elements
- Available standard depth
- Single deck convection oven is 55" in height (with optional casters)
- Patented "plug-in, plug-out" control panel - easy to service
- Slide out control panel for full view servicing
- Stainless Steel front, top and sides
- Dependent glass doors (Full 180° opening)
- Energy saving high efficiency glass windows
- Heat keeping dual door seal system
- Coved, fastener-free, porcelain interior
- Stay cool heavy duty door handle
- Soft Air, two speed, 1/2 hp, fan motor
- 11-position rack guides and 5 plated oven racks
- Solid state temperature controls
- Forced cool down fan mode
- Oven "heat" light cycles with burners
- Interior oven lights
- (1) year limited parts and labor warranty
(reference <http://www.southbendnc.com/service.html> for limited warranty details)



(BES/17SC shown with optional casters)

Available Controls

SC-Standard Controls

140°F to 500°F solid state thermostat and 60 minute mechanical cook timer.

STANDARD CONSTRUCTION SPECIFICATIONS

Exterior Finish: Stainless steel front, top and sides.

Doors: Dependent doors with windows. Low emission glass, stainless steel construction, heavy-duty welded steel frame and 5/8" diameter full-length hinge pin.

Oven Interior: Porcelain enamel finish, coved, fastener free.

Rack and Rack Guides: Heavy-duty removable wire rack guides spaced on 1-5/8" centers offer 11 different rack positions. 5 wire racks provided with each oven.

Blower Fan and Motor: 1/2hp, 2-speed motor, 1710/1120 r.p.m

Oven Heating: Oven heating is regulated by an adjustable solid state thermostat control. Blower fan circulates air within the cavity "scrubbing" heat to the oven interior for even heat distribution within the cavity. Manual reset high limit temperature control protects the oven from overheat condition.

Control Panel: Located on front, at right side of oven, away from heat zone. Slide out panel extends over 17" for easy servicing.

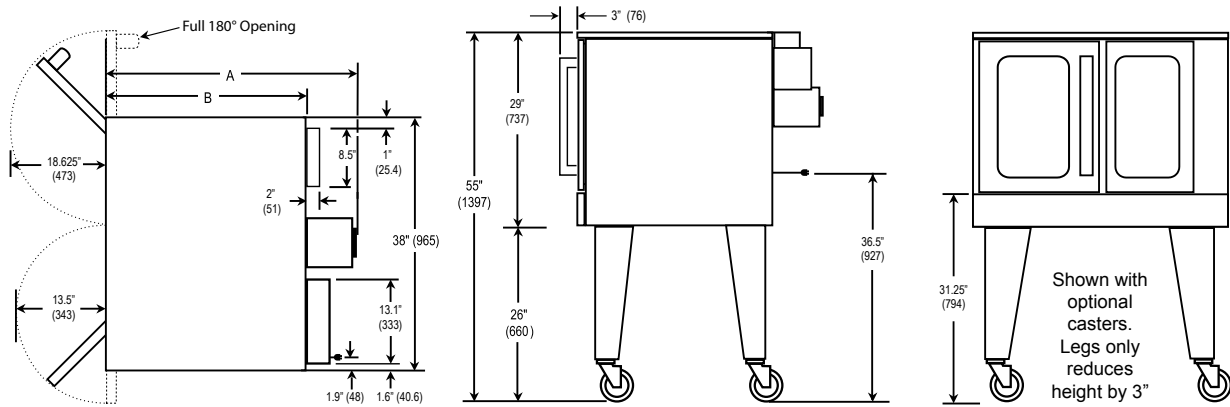
Interior Lights: Two 40 watt high temperature recessed lamps located within the oven cavity

Legs: 26" painted steel, triangular legs standard.

Electrical System: Terminal connections are accessible from the rear of the oven. These sheath type electrical heating elements located at the rear of the oven function as a single heating unit with a combined rating of 7.5 kW. Available voltages include 208, 240, 380, and 480 VAC single or three phase, 50/60 Hz. Ovens equipped with 480VAC single or three phase heating elements use 240V controls and motors and do not require separate electrical lead wires.



Dimensions -in (mm)



MODEL	DEPTH		OVEN INTERIOR			RACK CLEARANCE		SHIPPING CRATE				
	A	B	WIDTH	DEPTH	HEIGHT	WIDTH	DEPTH	WIDTH	DEPTH	HEIGHT	VOLUME	WEIGHT
BES/17	37.25" (946)	30.25" (768)	29" (737)	21.50" (546)	20" (508)	28.25" (718)	21" (533)	57.50" (1461)	45.50" (1156)	45" (1143)	68.1 cu. ft. (1.93 cu. m.)	620 lbs (281.2 kg.)

Note: When shipped on legs, crated height is 69" (1753 mm)

UTILITY INFORMATION

Standard: 1/2 horsepower, 2 speed motor, 1710/1120 r. p. m.

ELECTRICAL DATA		AMPS PER LINE				
EACH OVEN	VOLTAGE	1 PHASE	3 PHASE			
			X	Y	Z	NEUT.
8.5 kW Heating Elements and Controls (7.5 kW for Heating Elements, 1 kW for Controls)	208 VAC, 60Hz	41	25	21	25	0
	220/240 VAC, 50Hz	33	21	17	21	0
	240 VAC, 60Hz	36	22	18	22	0
	380/220 VAC, 50Hz	23	12	12	16	4
	415/240 VAC, 50Hz	36	11	11	15	4
480 VAC, 60Hz	18	12	9	12	0	

* Electric units available for single or three phase operation and must be specified upon ordering.

MISCELLANEOUS

- Clearances from combustibles: Top, bottom, right, left side -0".
- Recommended - install under vented hood.
- Check local codes for fire and sanitary regulations.

NOTICE:

Southbend has a policy of continuous product research and improvement. We reserve the right to change specifications and product design without notice. Such revisions do not entitle the buyer to corresponding changes, improvements, additions or replacements for previously purchased equipment.

OPTIONS AND ACCESSORIES

- List the voltage, frequency, and amps (see utility information above).
___VAC, ___Phase, ___Hz
- Stainless steel rear jacket
- Down draft diverter for direct flue
- Casters 4" or 6"
- Swivel Caster - front with locks
- Stainless steel doors

INTENDED FOR COMMERCIAL USE ONLY.

NOT FOR HOUSEHOLD USE.

1100 Old Honeycutt Road, Fuquay-Varina, NC 27526
(919) 762-1000 www.southbendnc.com

