

V-Series 150 Qt. Marine Mixer

The kitchen workhorse, for a wide range of heavy-duty mixing applications.



MODELS

- V150PLM** 150 qt. Marine Mixer

STANDARD FEATURES

- IP44 rated and USPHS compliant
- Stainless steel construction
- Powerful 5 HP motor for heavy-duty use with variable speed drive and agitator speed range from 47 RPMs to 257 RPMs
- Front-mounted controls with 15-minute timer, emergency stop and power bowl lift
- High torque transmission
- Grease lubricated, anti-friction ball bearings
- Removable bowl guard with patent-pending interlock
- Water cover at air ventilation
- Screws without slots to ensure sanitation
- Fully welded stainless steel knees
- Gasket at front panel, top cover and back cover
- Patent-pending interlock prevents operation if bowl guard is opened or bowl is lowered
- Overload protection and no volt release
- Non-skid rubber feet
- 6 foot cord
- ETL and NSF listed
- Made in Denmark

STANDARD ACCESSORIES

- Stainless steel bowl
- Aluminum flat beater
- Stainless steel wire whip
- Stainless steel dough hook
- Bowl truck

WARRANTY

- Two-year parts and labor limited warranty

OPTIONAL ACCESSORIES/ATTACHMENTS

- Bowl scraper
- Bowl truck
- Reinforced whip
- Stainless steel wing whip

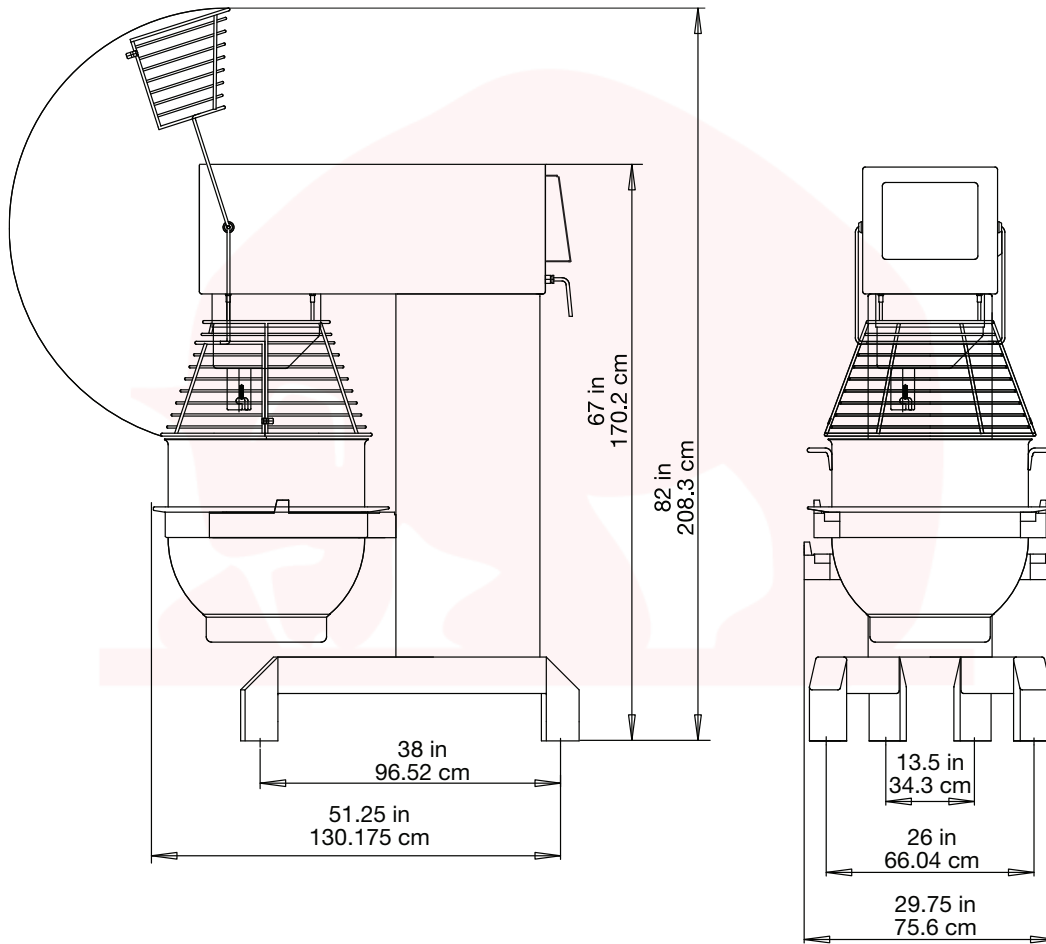
To select options see back



ETL listed
Conforms to UL Std 763
Certified to CSA Std C22.2 No. 195

Approved by: _____

Date: _____



SPECIFICATIONS

Model	Motor	Volts	Amp	Plug Type	Mixing Speeds	Hub Speeds	IP Rating
V150PLM	5 HP	208/60/3	16	--	47 - 257 RPMs	N/A	IP44

Delivered without plug. Specify voltage when ordering.

DIMENSIONS | SHIPPING INFORMATION

Reinforced carton for shipping. This product ships on a pallet. See dimensions below.

Model	Overall Dimensions	Net Wt.	Shipping Dimensions	Ship Wt.	Freight Class
V150PLM	29.75" W x 51.25" D x 67" H (75.56 cm x 130.2 cm x 170.2 cm)	1,147 lbs. (520.27 kg)	37" W x 55" D x 78" H (93.98 cm x 139.7 cm x 198.12 cm)	1,397 lbs. (633.67 kg)	85 84 CU ft.

OPTIONAL/ADDITIONAL ACCESSORIES

- VTRUCK-150 Bowl truck
- VWINGWHIP-150 150 qt. wire wing whip
- VHDWHIP-150 150 qt. heavy-duty wire whip
- VSCRIP-150 150 qt. scraper

Product	Attachment	V150PLM
Bread Dough (65% AR)	Hook	190 lbs.
Pizza Dough (50% AR)	Hook	175 lbs.
Mashed Potatoes	Whip / Beater	110 lbs.
Whipped Cream	Whip	32 qts.
Pancake Batter	Whip / Beater	50 qts.
Cookie Dough	Beater / Hook	160 lbs.

Heavy-duty 150 qt. mixer with 5 HP motor and variable speed drive with agitator speed range from 47 to 257 RPMs. Stainless steel construction with IP44 rating. Water cover at air ventilation and non-slotted screws. Front-mounted controls with power bowl lift and 15-minute timer. Watertight, permanently lubricated planetary head and attachment hub case. 6 ft. cord. Mixer is ETL and NSF certified. Two-year parts and labor limited warranty.