



HVH-100G

HVH-100G

Full-Size Gas Hydrovection Oven with Helix Technology



Shown on optional stand with casters

Project _____

Item No. _____

Quantity _____

Standard depth baking compartment - accepts five 18" x 26" standard full-size baking pans in left-to-right positions.

All data is shown per oven section, unless otherwise indicated.

Refer to operator manual specification chart for listed model names.

EXTERIOR CONSTRUCTION

- Fully welded angle-iron frame
- Stainless steel front, top, back and sides
- Simultaneous split door operation with catch-latch system
- Triple mounted door design with turnbuckle assembly
- Black glass doors with one piece curved handle
- Dual pane tempered viewing window features cool to the touch Low-E inner glass. Inner glass panel is hinged for easy cleaning
- Hand shower for ease of cleaning

INTERIOR CONSTRUCTION

- 304 stainless steel coved corner liner for easy cleaning
- Five stainless steel racks and ten rack positions
- Two halogen interior lights for superior visibility
- Drain in oven cavity
- Up to 2.5" of blanket insulation for greater heat retention

OPERATION

- Innovative new Helix technology forces air into the oven cavity, improving product quality while decreasing cook times
- SmartTouch2 control - NEW 7-inch touchscreen stores up to 500 recipes. Includes rack timing, multi-shelf recipes, easy download for recipe writing on your laptop, and HACCP storage capability
- Three inshot burners
- Direct spark ignition
- Core probe cook and hold capabilities with 4" removeable fillet core temperature probe
- Hydrovection cook modes provide low or high humidity
- Hot air cook mode for baking and pastries
- One touch cooking
- Four speed auto-reversing fan motor for even bake
- Cavity vent control provides ability to release steam at the push of a switch
- Thermostatically controlled quench system, Eco-Friendly

STANDARD FEATURES

- 25" (635mm) adjustable stainless steel legs (for single units)
- 8-1/2" (216mm) stainless steel legs with casters (for double sections)
- 1 year parts and 1 year labor warranty

* For all international markets, contact your local distributor.

NOTE: The company reserves the right to make substitutions of components without prior notice

OPTIONS AND ACCESSORIES

(AT ADDITIONAL CHARGE)

■ Legs/casters/stands:

- 6" casters for 25" legs
- 11" (279mm) adjustable legs
- 11" (279mm) seismic feet
- 25" leg w/seismic feet for single ovens
- 36" (914mm) stainless steel open stand with pan supports and feet
- 36" (914mm) stainless steel open stand with pan supports and casters

■ Racks

- Extra stainless steel oven racks
- Chicken roasting rack
- Multi-purpose fry rack

■ Core Probes

- 4" duel sensing probe
- Additional 4" fillet probe
- Water pressure regulator
- Side heat shield
- Backflow preventer



Intertek



BLODGETT OVEN COMPANY

www.blodgett.com • 42 Allen Martin Drive, Essex Junction, VT 05452

Phone: (802) 658-6600 • Fax: (802) 864-0183



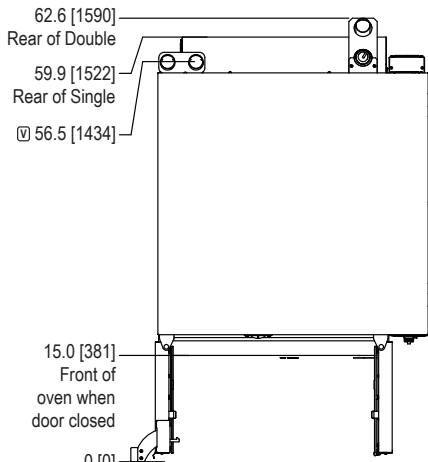
HVH-100G



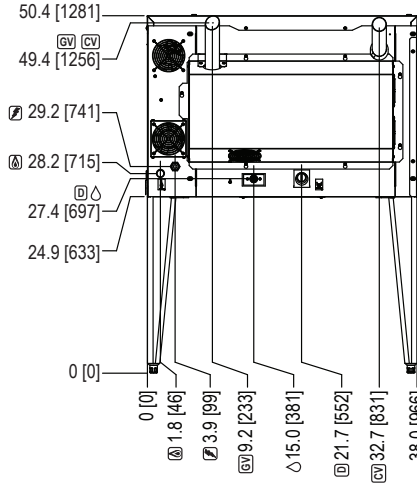
APPROVAL/STAMP

- ⊕ Gas ⊕ Gas Vent
- ⊕ Electric ⊕ Cavity Vent
- △ Water ⊕ Drain

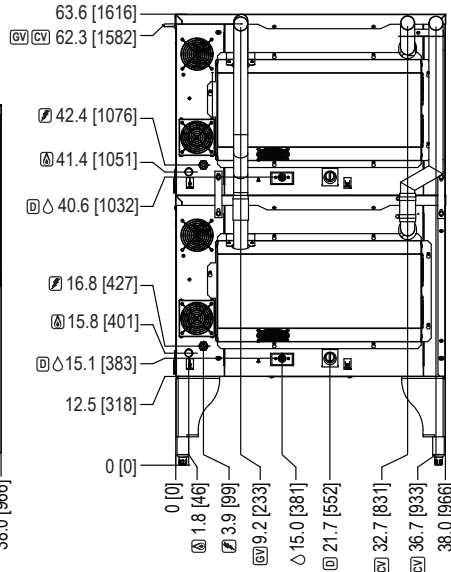
DIMENSIONS ARE IN INCHES [MM]



TOP VIEW
Double or Single Oven



REAR VIEW Single Oven



REAR VIEW Double Oven

SHORT FORM SPECIFICATIONS Provide Blodgett full-size hydrovection oven model HVH-100G, (single/double) compartment with fully welded angle iron frame. Each compartment shall have fully welded 304 stainless steel liner. Liner to be covered top and bottom. Unit shall accept five 18" x 26" standard full-size bake pans. Doors shall be triple mounted, black glass with dual pane thermal glass windows with L-E inner glass, curved handle and simultaneous operation. Unit shall be heated by 60,000 BTU gas burner. Air in baking chamber distributed by single inlet blower wheel powered by a four speed, auto-reversing, 3/4 HP motor with thermal overload protection. Innovative new Helix technology forces air into the oven cavity, improving product quality while decreasing cook times. Each chamber shall be fitted with bright halogen lamps, and five standard stainless steel removable racks. Hand shower mounted to the side of the control for easy cleanup. Unit shall have SmartTouch2 control with 7-inch touchscreen that stores up to 500 recipes. Includes rack timing, multi-shelf recipes, easy download for recipe writing on your laptop, and HACCP storage capability. Breaker shut off switch on front panel for easy service. 1 year parts and 1 year labor warranty. Provide options and accessories as indicated.

DIMENSIONS

Floor space

- Single 38.1" (968mm) W x 48.7" (1237mm) D
- Double Stack 38.1" (968mm) W x 51" (1295mm) D
- Interior 29" (737mm) W x 20" (508mm) H x 23.43" (595mm) D
- Single on casters Add 4-1/2" (114mm) to height

Product clearance from combustible and non-combustible construction

- Oven sides 0" (0mm) Blodgett recommends 4" clearance from any heat source on the control panel side of the oven, an optional heat shield should be considered
- Oven back 6" (152mm)

Minimum Entry Clearance

- Uncrated 25.6" (650mm)
- Crated 30-1/2" (975mm)

GAS SUPPLY (per section)

3/4" NPT

Inlet Pressure

- Natural 7.0" W.C. static to unit
- Propane 14.0" W.C. static to unit

Maximum Input

- Single 60,000 BTU/hr
- Double 120,000 BTU/hr

POWER SUPPLY (per section)

- Standard 115VAC, 10 amp, Nema 5-20R dedicated receptacle
- Option 208/240VAC, 5 amp, Nema 6-15 dedicated receptacle
- Export Export voltages available on request

This appliance uses a variable frequency drive, which can be known to product high frequency electrical noise. In some cases units must be hard wired. This avoids false positives on ground fault devices susceptible to errors from electrical noise. All installations must comply with local and national codes.

WATER & DRAIN CONNECTION (per section)

Drain 1.25" O.D. drain connection Maximum drain temperature 140°F (60°C)

Water 3/4" NPT garden hose - cold water only

The drain piping must consist of temperature resistant material, greater than 160°F, and be of adequate diameter not to cause flow restriction. Improper materials may deform and cause restrictions, thus affecting performance.

Appliance is to be installed with backflow protection in accordance with Federal, State or Local codes.

WATER SUPPLY (per section)

Good quality water feed is the responsibility of the owner. Water quality must be within the following general guidelines.

- TDS: 40-125 ppm Hardness: 35-100 ppm pH: 7.0 - 8.5
- Silica: <13 ppm Chlorides: <25 ppm Chlorine: <0.2 ppm
- Chloramine: <0.2 ppm

The best defense against poor water quality is a water treatment system designed to meet your water quality conditions. Blodgett offers optional systems from Optipure.

Water Pressure 30(min)-50(max) PSI

Water Consumption 2.5 - 4.0 GPH based on cooking mode

SHIPPING INFORMATION

Approx. Weight

Per section 520 lbs. (236 kg)

Crate sizes

30-1/2" (975mm) x 43-1/2" (1105mm) x 56" (1422mm)
(2 crates required for double)