

V-Series 30 Qt. Mixer

The kitchen workhorse, for a wide range of heavy-duty mixing applications.



MODELS

- V30 30 qt. Floor

STANDARD FEATURES

- Stainless steel top cover, planetary cover, bayonet shaft, bowl guard and legs
- IP32 rated
- Powerful 2 HP motor with variable speed drive and wide agitator speed range from 57 RPM to 311 RPMs
- #12 attachment hub with 198 RPM speed
- No bowl adapters needed to downsize bowls
- Hydraulic damper for easier bowl lowering, and single lever manually raises bowl and locks into position
- Front-mounted controls with 90-minute digital timer and emergency stop
- Durable powder coated finish used on legs and outside surfaces not constructed of stainless steel
- High torque transmission
- Permanently lubricated planetary head and attachment hub case
- Grease lubricated, anti-friction ball bearings
- Locking pin on tools instead of shaft
- Patent-pending interlock automatically turns the mixer off if bowl guard is opened or bowl is lowered
- Overload protection and no voltage release
- Non-skid rubber feet
- 6 foot cord
- cETLus and NSF listed
- Made in Denmark

STANDARD ACCESSORIES

- Stainless steel dough hook
- Stainless steel wire whip
- Stainless steel flat beater
- Stainless steel bowl
- Stainless steel ingredient chute

WARRANTY

- Two-year parts & labor limited warranty

OPTIONAL ACCESSORIES/ATTACHMENTS

- 16 qt. bowl and accessories
- Bowl scraper - 16 qt. or 30 qt. options
- Bowl truck

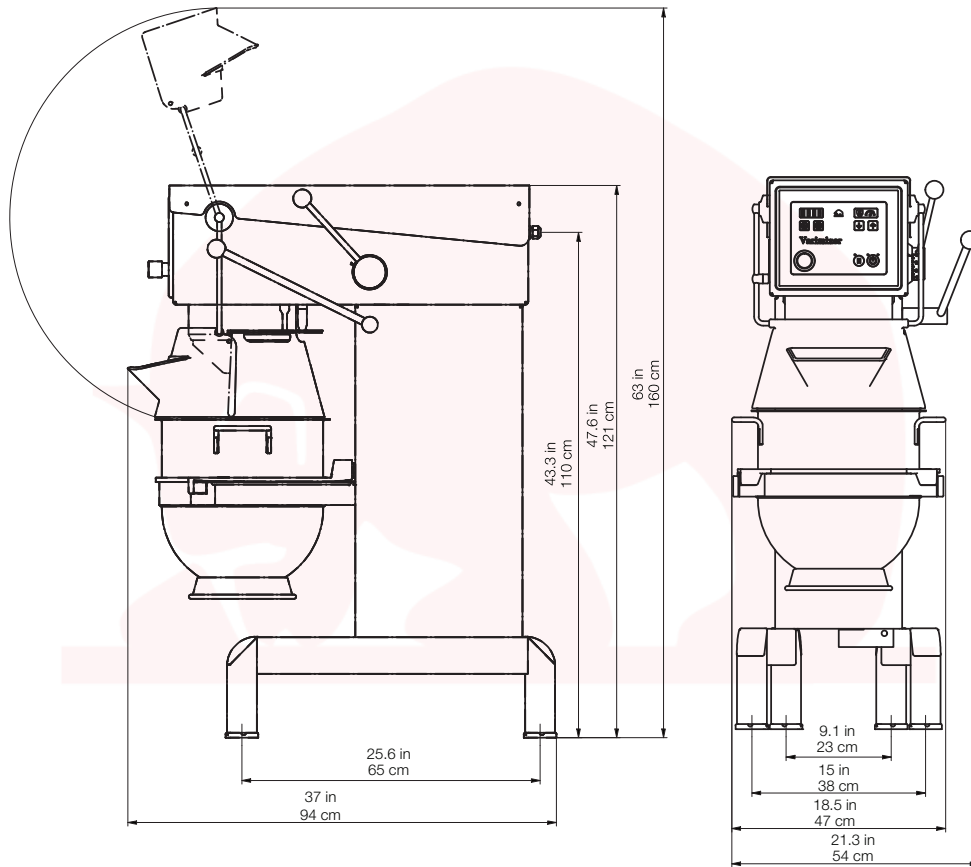
To select options see back



ETL listed
Conforms to UL Std 763
Certified to CSA Std C22.2 No. 195

Approved by: _____

Date: _____



SPECIFICATIONS

Model	Motor	Volts	Amp	Plug Type	Mixing Speeds	Hub Speeds	IP Rating
V30	2 HP	120/60/1	20	--	57 - 311 RPMs	198 RPMs	IP32

Delivered without plug. Other voltages upon request with 6 to 8 week lead time.

DIMENSIONS | SHIPPING INFORMATION

Reinforced carton for shipping. This product ships on a pallet. See dimensions below.

Model	Overall Dimensions	Net Wt.	Shipping Dimensions	Ship Wt.	Freight Class
V30	21.2" W x 37" D x 47.63" H (54 cm x 94 cm x 121 cm)	374.8 lbs. (170 kg)	32" W x 49" D x 61" H (81.3 cm x 124.4 cm x 154.9 cm)	525 lbs. (238.14 kg)	85 55 CU ft.

OPTIONAL/ADDITIONAL ACCESSORIES

- VBOWL16-30** 16 qt. bowl
- VHOOK16-30** 16 qt. hook
- VWHIP16-30** wire whip
- VBEAT16-30** 16 qt. flat beater
- VSCR16-30** 16 qt. scraper
- VSCR16-30** 30 qt. scraper
- VHDWHIP-30** 30 qt. heavy-duty whip
- VWINGWHIP-30** 30 qt. wing whip
- VTRUCK-30** Bowl truck
- XMCA-SS** Meat grinder hub assembly
- XSVGH-XSP** Housing & slicer hub assembly
- L00783** Strip cutter attachment
- L00670** Meat tenderizer attachment

Product	Attachment	Capacity
Mashed Potatoes	Whip / Beater	26 lbs.
Whipped Cream	Whip	7 qts.
Bread Dough (60% AR)	Hook	35 lbs.
Pizza Dough (50% AR)	Hook	30 lbs.
Pancake Batter	Whip / Beater	14 qts.

Heavy-duty 30 qt. mixer with 2 HP motor, high-torque transmission and variable speed drive from 57 to 311 RPMs. IP32 rated. Mixer has front-mounted control panel with timer and emergency stop. Mixer has grease lubricated, anti-friction ball bearings and permanently lubricated planetary head & attachment hub case. Overload protection, interlocked bowl and bowl guard and no volt release. cETLus and NSF listed. 2-year parts & labor limited warranty.