



Anets Valve Models 40AV & 70AV Tube Fired Gas Fryer



STANDARD FEATURES

- Tank - stainless steel
- Cabinet – stainless steel front & door
- galvanized sides & back
- Millivolt Thermostat
- High temperature safety limit switch
- Built-in integrated flue deflector
- 1.25" (32mm) full port drain valve
- Two twin fry baskets (regular mesh)
- Tube rack
- Drain extension
- Clean out rod
- Removable basket hanger
- 6" (152mm) adjustable legs

AVAILABLE OPTIONS & ACCESSORIES

(at additional cost)

- Fry basket alternatives (triple, single square, fine mesh, (etc)
- Fry pot covers
- 6" (152mm) adjustable rear and front locking

Project _____

Item No. _____

Quantity _____

STANDARD SPECIFICATIONS BASICS

- **40AV**-14" x 14" stainless tank
- 2.0" to 3.5" (5cm to 8cm) cook depth
- 35 to 40 lbs oil capacity (15.9 to 18.1 liters)
- Three tube/burner design with 4" burner and 4" tube
- **70AV**-18" x 18" stainless tank
- 3.0" to 5.0" (8cm to 13cm) cook depth
- 65 to 80 lbs oil capacity (31 to 39 liters)
- Four tube/burner design with 4" burner and 4" tube

CONSTRUCTION

- Welded tank with extra smooth peen finish ensures easy cleaning.
- Long-lasting, high-temperature alloy stainless steel heat baffles are mounted in the heat exchanger tubes
- Standing pilot light design provides a ready flame when heat is required.
- Stainless steel front, door, sides and splash back

CONTROLS

- Atmospheric burner/baffle design.
 - Increases cooking production
 - Lowers flue temperature
 - Improves working environment
 - Generates more production per BTU
- Thermostat maintains selected temperature automatically between 200°F and 400°F (93°C and 190°C).
- Integrated gas control valve acts as a manual and pilot valve, automatic pilot valve, gas filter, and automatic valve.
- Gas control valve prevents gas flow to the main burner until pilot is established and shuts off all gas flow automatically if the pilot flame goes out.
- High Temperature limit switch safely shuts off all gas flow if the oil temperature exceeds the upper limit.

OPERATIONS

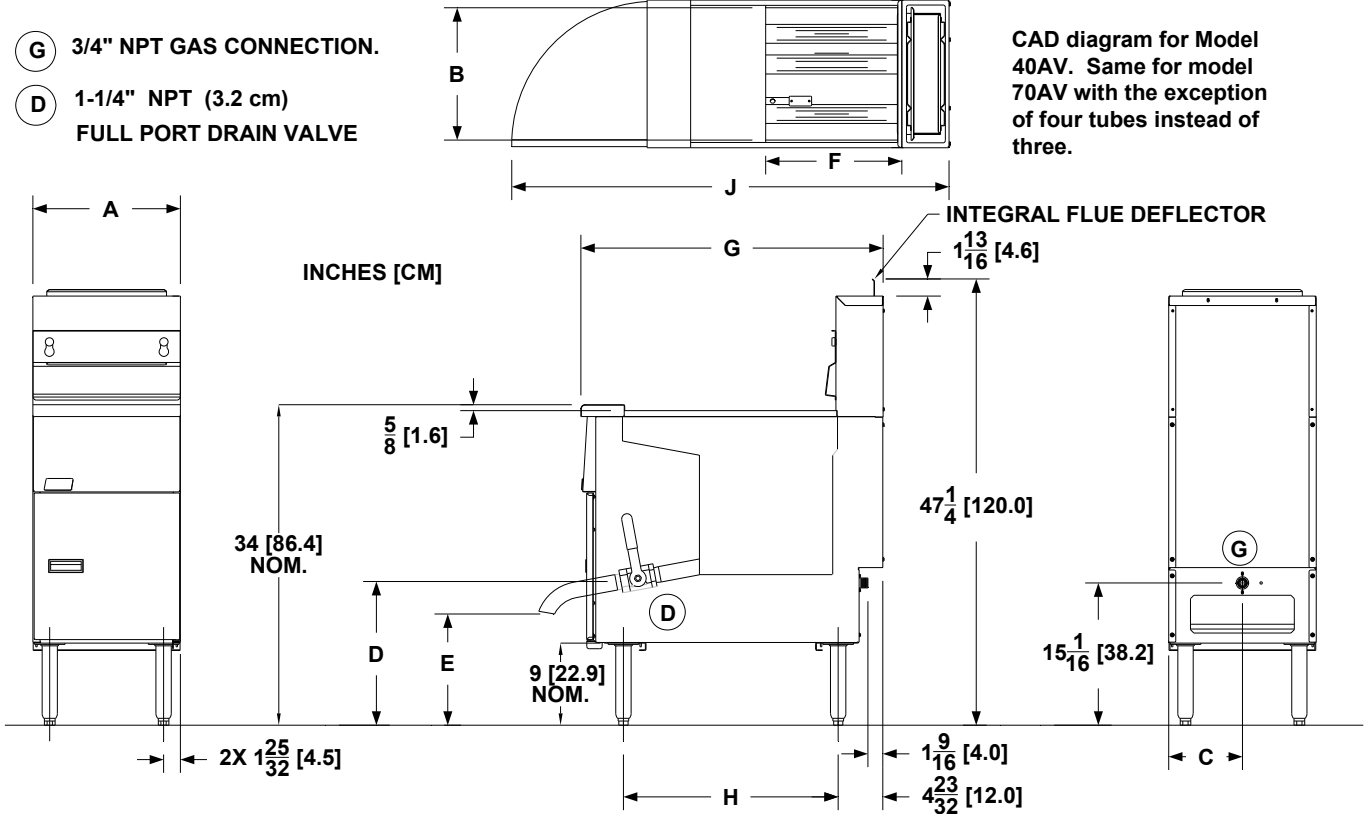
- Battery Spark Ignitor makes lighting pilot quick and easy. (CE and Australia only)
- Front 1.25" (32mm) NPT drain for quick draining.



Anets Valve Models 40AV & 70AV Tube Fired Gas Fryer

Anets Valve Models 40AV & 70AV Tube Fired Gas Fryer

TABLE									
	A	B	C	D	E	F	G	H	J
40AV	15 5/8 [39.7]	14 1/2 [36.8]	7 13/16 [19.8]	19 5/8 [49.8]	15 1/8 [38.4]	14.0 [35.6]	32.0 [81.3]	22 3/4 [57.8]	46 5/16 [115.0]
70AV	19 5/8 [49.8]	17 11/32 [44.1]	9 13/16 [24.9]	17 11/32 [44.1]	12 5/16 [31.2]	18.0 [45.7]	34.0 [86.3]	24 3/4 [62.8]	52 17/64 [132.7]



INDIVIDUAL FRYER SPECIFICATIONS						
Model	Frying Area	Cook Depth	Oil Capacity	Gas Input Rate / Hr	Burner Pressure Nat	Burner Pressure LP
40AV	14 x 14 in (35.6 x 35.6 cm)	2.0 - 3.5 in (5.0 - 8.0 cm)	35 - 40 Lbs (15.9 - 18.1 liters)	70,000 BTU (CE 20.5 kW) (AU 74 MJ)	4" W.C. (10 mbars / 1 kPa)	10" W.C. (25 mbars / 2.4 kPa)
70AV	18 x 18 in (45.7 x 45.7 cm)	3.0 - 5.0 in (8 - 13 cm)	65 - 80 Lbs (31 - 39 liters)	95,000 BTU (CE 26.5 kW) (AU 95 MJ)		
Model	Shipping Weight	Shipping Crate Size H x W x L			Shipping Cube	
40AV	155 Lbs (70.3 kg)	36 x 19 x 46 in (116.8 x 48.3 x 91.4 cm)			18.2 ft ³ (0.5 m ³)	
70AV	180 Lbs (81.6 kg)					
INSTALLATION INFORMATION						
GAS SYSTEM REQUIREMENTS				Total Gas Load / Hr		
Supply Pressure *	Natural Gas		LP Gas	40AV	70,000 BTU, (CE 20.5kW), (AU 74 MJ)	
	7 - 10" W.C. (17.4 mbars/ 1.74 kPa)		11 - 13" W.C. (27.4 mbars/ 2.74 kPa)	70AV	95,000 BTU, (CE 27.8kW), (AU 95 MJ)	
* Check plumbing / gas codes for proper gas supply line sizing to sustain burner pressure when all gas appliances are full on.						
CLEARANCES						
Front min.	Floor min.	Combustible material		Non-Combustible material		Fryer Flue Area
30" (76.2 cm)	6" (15.25 cm)	Sides min. 6" (15.2 cm)	Rear min. 6" (15.2cm)	Sides min. 0"	Rear min. 0"	Do not block / restrict flue gases from flowing into hood or install vent hood drains over the flue.
Provide Anets 40AV or 70AV tube-fired gas fryer. Fryer shall have a blower free atmospheric burner system combined with three stainless steel tubes, 70AV with four stainless steel tubes, utilizing high temperature alloy stainless steel baffles, with thermostatic control, thermo-safety pilot and spark ignitor, separate gas shut off, 3/4" npt rear gas connection, recessed cabinet back, 1-1/4" Full port drain. Fryer shall have a deep cool zone; minimum 20% of total oil capacity. Model 40AV shall be a cooking area of 14" x 14". Model 70AV shall be a cooking area of 18" x 18".						