

450

Ready-To-Go Tower

Bluezone Model 450 Installed in Tower

Available in Black (10-BZ-9009-RTGB) or White (10-BZ-9009-RTGW)

**PLUG
& PLAY**

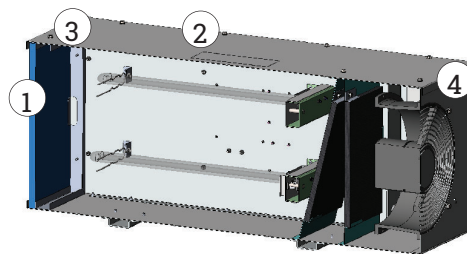


Features and Benefits

- Utilizes a combination of self-contained ultraviolet light and room temperature oxidation to destroy viruses and Volatile Organic Compounds (VOCs)
- Technology recommended by Center for Disease Control and Prevention, FDA and scores of scientists as effective against airborne coronavirus transmission
- Safe for use in occupied spaces 24 hours/day
- Destroys up to 99.9995% of airborne infectious aerosols in indoor spaces, so diners can come back inside
- Treats up to 9,000 cubic feet of air per unit
- LED logo panel confirms operation
- Plug & play - model 450 installed into tower
- Bulb life up to 8,800 hours
- Low maintenance, no filters to change
- IoT compatible with OpenKitchen (ConnectWare required)
- One-year limited warranty



Black (10-BZ-9009-RTGB)



1. Contaminated air inlet
2. Airborne infectious aerosols and VOCs are eliminated
3. Oxidation catalyst
4. Clean air outlet



Reduction of MS2
Bluezone by Middleby 450

| Bioaerosol Type | Species | Trial ID | | 15 min. | 30 min. | 45 min. | 60 min. |
|----------------------------------|------------------------------------------|----------|-------------------|----------------|----------------|-----------------|-----------------|
| Virus | MS2 bacteriophage (RNA E. coli phage) | T1 | Net Log Reduction | -1.52 | -3.25 | -4.25 | -5.52 |
| | | | Net % Reduction | 96.9552% | 99.9439% | 99.9944% | 99.9997% |
| | | T2 | Net Log Reduction | -1.48 | -3.59 | -5.05 | -5.20 |
| | | | Net % Reduction | 96.7060% | 99.9740% | 99.9991% | 99.9994% |
| | | T3 | Net Log Reduction | -1.75 | -3.34 | -4.50 | -5.24 |
| | | | Net % Reduction | 98.2128% | 99.9540% | 99.9968% | 99.9994% |
| Average Net Log Reduction | | | | -1.58 | -3.39 | -4.6 | -5.32 |
| Average Net % Reduction | | | | 97.291% | 99.957% | 99.9968% | 99.9995% |

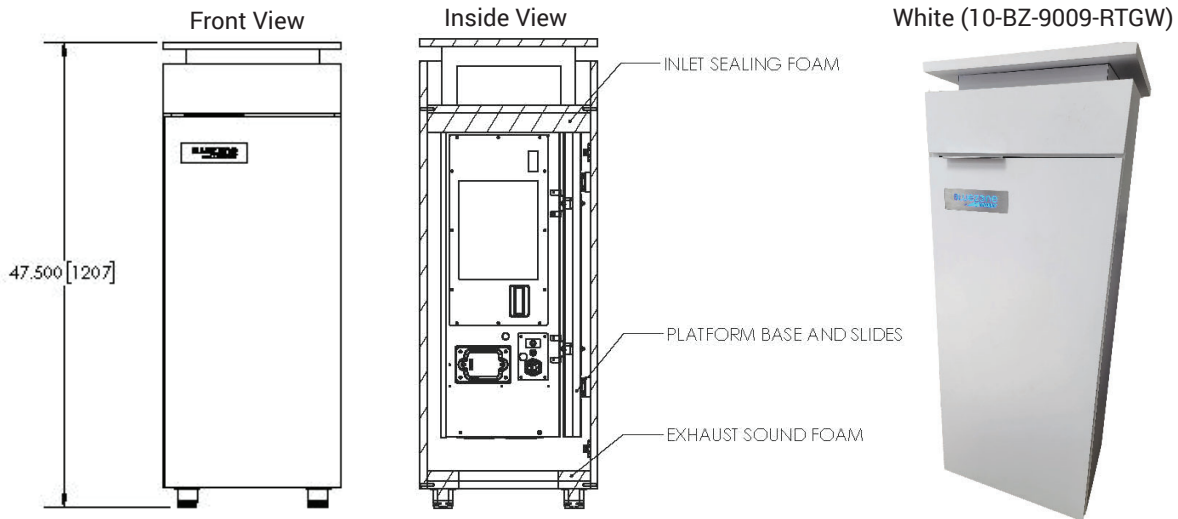
This study was conducted in compliance with FDA Good Laboratory Practices (GLP) as defined in 21 CFR, Part 58 using aerosolized MS-2 bacteriophage, a surrogate for SARS-COV-2, in a room-sized test chamber.

450

Ready-To-Go Tower

Bluezone Model 450 Installed in Tower

Available in Black (10-BZ-9009-RTGB) or White (10-BZ-9009-RTGW)



READY-TO-GOM TOWER SPECIFICATIONS

| | |
|-----------------------------------------------------|--------------------------------------------------------------|
| Dimensions | 47.5" X 18" X 20" (1207 mm X 457 mm x 508 mm) |
| Weight | 129 lb. (59 kg.) with Model 450 Installed |
| Shipping Dimensions/Weight LTL Freight Class 250 | 49" x 21" x 23" (1244 mm x 533 mm x 584 mm) 134 lb. (61 kg.) |

BLUEZONE UNIT ONLY SPECIFICATIONS

| | |
|---------------------------|----------------------------------------------------------------------------------------------------------------------------|
| Dimensions | 31" X 14" X 13.375" (787 mm X 356 mm x 340 mm) |
| Weight | 26 lb. (12 kg.) |
| Input Voltage and Current | 120 VAC, 1-phase, 3 amps or 240 VAC, 1-phase, 1.5 amps |
| Electrical Connection | IEC 320-C13 |
| Operating Environment | 34°F-104°F (1°C- 40°C) |
| Flow Rate | 150 CFM |
| Power | Max 350 watts |
| Certifications | cETLus Listed, ETL Sanitation, NSF/ANSI 2 Sanitation (Pending), California Air Resource Board (CARB) for no ozone emission |