



Job: Item No.:

Notes:

Model Number: □ GC52

Herb and Micro Green Growing Cabinets

SPECIFICATIONS



GC52

DESCRIPTION

GardenChef Cabinets are designed to provide the proper environment for growing micro greens and herbs in the kitchen. It features a touchscreen control for fully automated lighting and watering schedules, as well as 40 programmable seed settings. Operators can grow in potting soil or hydroponic media.

SHORT FORM SPECIFICATIONS

GardenChef micro green and herb growing cabinet, electric, individual growing zones, programmable controls for watering lighting, temperature and humidity, fluorescent T5 growing lights, wastewater reservoir with water level sensor, 3/8" NPT fill and drain connections. All stainless steel construction with 3" casters and adjustable legs for leveling. Single electric connection, 120 volts, 60 Hz, single phase, six foot rubber cord with grounding plug, NEMA 5-15P.

FEATURES

- Touchscreen controls; programmable for temperature, humidity, watering and lighting cycles; lockout access code
- Preprogrammed default settings for most growing needs; fully programmable to change seeds or adjust cycles
- Water reservoir to collect wastewater; equipped with water level sensor to indicate when the reservoir needs to be emptied
- Individual growing zones fit two 10"x20" garden flats with propagation domes (up to 5") per zone
- High output 18" T5 fluorescent growing lights (two per zone) with diffuser panels
- Automatic pump irrigation system with flood and drain watering for each growing zone; cabinet must be plumbed to the facility water supply
- 10 growing zones with a total capacity of 20 garden flats; each zone has a removable growing shelf, on rollers for easy access and cleaning
- All stainless steel double-wall insulated construction
- 3" diameter, all-swivel, polyurethane casters with brakes; four adjustable legs for leveling
- Each cabinet includes one set of garden flats, propagation domes and mats

OPTIONS AND ACCESSORIES

- **Starter kit:** includes one set of garden flats, propagation domes and mats, sifter, hydrogen peroxide, 20 gallon plastic tub, measuring syringe
- Available electrical configurations: 208, 220-240v

CERTIFICATIONS



WARRANTY

Gardenchef comes with a one year warranty for parts and labor.



CARTER-HOFFMANN
1551 McCormick Avenue, Mundelein, IL 60060
847.362.5500 • 800.323.9793
www.carter-hoffmann.com

Follow us



Form GC1120





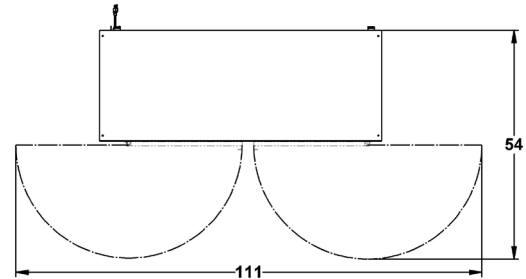
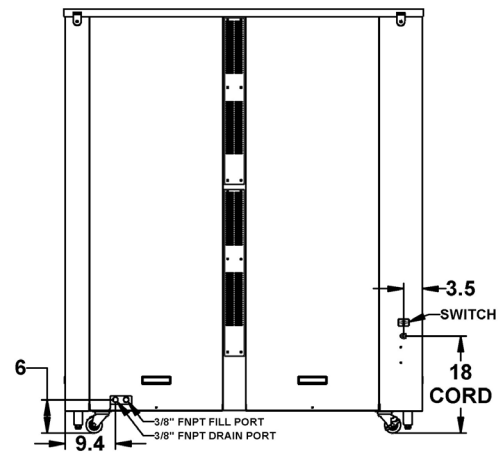
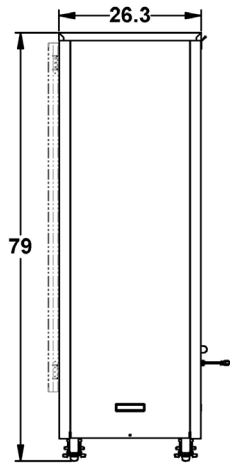
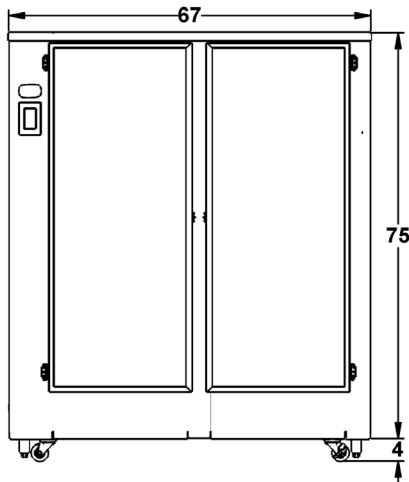
Job: Item No.:

Notes:

Model Number: □ GC52

Herb and Micro Green Growing Cabinets

SPECIFICATIONS

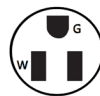


CLEARANCES

A clearance of at least 2" for a ventilation gap on the top and back of the unit must be maintained for adequate air flow. A clearance of least 36" at the front of the cabinet is required to open the door(s) and pull the drawers out.

ELECTRICAL DATA

Single electrical connection, 120 volts, 4.4 amps, 60Hz, single phase, NEMA 5-15P plug



Model	Growing Flat Capacity		Shelf Spacing		Inside Working Height		Height		Depth		Width		Shipping Weight	
	10"x20"Flats	Zones	in	mm	in	mm	in	mm	in	mm	in	mm	lbs	kg
GC52	20	10	7 ^{1/4}	184	63	1600	79	2007	28 ^{1/4}	718	66 ^{3/4}	1695	525	238

Due to periodic changes in designs, methods, procedures, policies and regulations, the specifications contained in this sheet are subject to change without notice. While Carter- Hoffmann exercises good faith efforts to provide information that is accurate, we are not responsible for errors or omissions in information provided or conclusions reached as a result of using these specifications. By using the information provided, the user assumes all risks in connection with such use.