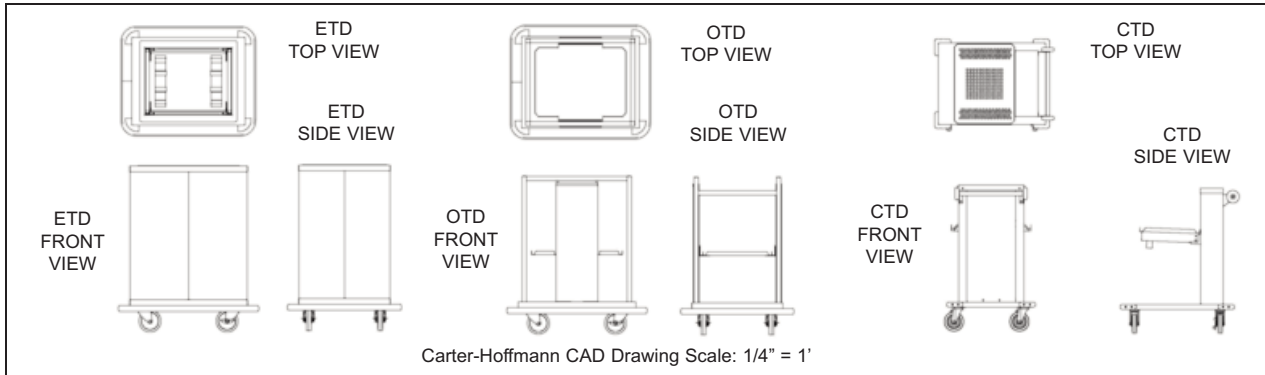




# TRAY DISPENSERS

## Mobile Dispenser Carts

### Enclosed, Open and Cantilever Styles



Model Number	Tray Size		Description	Overall Dimensions						Caster Diameter		Shipping Weight	
	in	mm		Height	Depth		Width		in	mm	lbs	kg	
<input type="checkbox"/> ETD1418	14 x 18	356 x 457	Enclosed single stack	38	965	21	533	27	686	5	127	150	68
<input type="checkbox"/> ETD1520	15 x 20	381 x 508	Enclosed single stack	38	965	21	533	27	686	5	127	150	68
<input type="checkbox"/> ETD1622	16 x 22	406 x 559	Enclosed single stack	38	965	21	533	27	686	5	127	150	68
<input type="checkbox"/> ETD2S1418	14 x 18	356 x 457	Enclosed double stack	38	965	41	1041	27	686	5	127	300	136
<input type="checkbox"/> ETD2S1520	15 x 20	381 x 508	Enclosed double stack	38	965	41	1041	27	686	5	127	300	136
<input type="checkbox"/> ETD2S1622	16 x 22	406 x 559	Enclosed double stack	38	965	41	1041	27	686	5	127	300	136
<input type="checkbox"/> OTD1418	14 x 18	356 x 457	Open single stack	36	914	21	533	27	686	5	127	140	64
<input type="checkbox"/> OTD1520	15 x 20	381 x 508	Open single stack	36	914	21	533	27	686	5	127	140	64
<input type="checkbox"/> OTD1622	16 x 22	406 x 559	Open single stack	36	914	21	533	27	686	5	127	140	64
<input type="checkbox"/> OTD2S1418	14 x 18	356 x 457	Open double stack	36	914	43	1092	27	686	5	127	150	68
<input type="checkbox"/> OTD2S1520	15 x 20	381 x 508	Open double stack	36	914	43	1092	27	686	5	127	150	68
<input type="checkbox"/> OTD2S1622	16 x 22	406 x 559	Open double stack	36	914	43	1092	27	686	5	127	150	68
<input type="checkbox"/> CTD1222	12 x 22	305 x 559	Cantilever single stack	37 <sup>5</sup> / <sub>8</sub>	956	21	533	27 <sup>3</sup> / <sub>4</sub>	705	5	127	150	68
<input type="checkbox"/> CTD1321	13 x 21	330 x 533	Cantilever single stack	37 <sup>5</sup> / <sub>8</sub>	956	21	533	27 <sup>3</sup> / <sub>4</sub>	705	5	127	150	68
<input type="checkbox"/> CTD1418	14 x 18	356 x 457	Cantilever single stack	37 <sup>5</sup> / <sub>8</sub>	956	21	533	27 <sup>3</sup> / <sub>4</sub>	705	5	127	150	68
<input type="checkbox"/> CTD1520	15 x 20	381 x 508	Cantilever single stack	37 <sup>5</sup> / <sub>8</sub>	956	21	533	27 <sup>3</sup> / <sub>4</sub>	705	5	127	150	68
<input type="checkbox"/> CTD1622	16 x 22	406 x 559	Cantilever single stack	37 <sup>5</sup> / <sub>8</sub>	956	21	533	27 <sup>3</sup> / <sub>4</sub>	705	5	127	150	68
<input type="checkbox"/> CTD RS	13.5 x 23	343 x 584	Cantilever single stack	37 <sup>5</sup> / <sub>8</sub>	956	21	533	27 <sup>3</sup> / <sub>4</sub>	705	5	127	150	68

**CONSTRUCTION: ENCLOSED DISPENSERS...** Completely welded cabinet construction with outer cabinet formed and welded to base. Built-in stainless tray platform. All stainless steel construction with polished exterior.

**CONSTRUCTION: CANTILEVER DISPENSERS...** All stainless steel with stainless steel lowerator housing, bottom and tray platform.

**CONSTRUCTION: OPEN DISPENSERS...** High strength stainless steel tubular frame with solid stainless steel bottom and tray platform.

**BASE FRAME...** 12 gauge stainless steel full depth caster bolsters with 1" x 1" 14 gauge stainless steel channels welded to bolsters.

**CASTERS...** 5" diameter, all swivel ball bearing type casters, plate mounted and bolted to frame. Two casters fitted with brakes. Wheel-ahead caster pattern.

**STYLING...** All stainless steel with red custom colored matching casters and bumper vinyl.

**DISPENSER PLATFORM...** Field adjustable springs to accommodate differences in tray weights and heights. Number of connected springs can be increased or decreased to change the platform tension release tension in 2.5 oz/in. Disconnected springs remain in place and out of the way. All stainless steel platform.

- OPTIONS AND ACCESSORIES...**
- Wrap-around extruded aluminum bumper with non-marking vinyl insert; specify red or grey (ETD and OTD only)
  - Four soft durometer cushioned corner bumpers

Specifications subject to change through product improvement & innovation.



# FEATURES & BENEFITS

## TRAY DISPENSERS

Since 1947, foodservice equipment that delivers!



**ETD1520**

(shown with optional wrap-around bumper)

**ETD: COMPLETELY WELDED TURNED-IN SEAM CONSTRUCTION...** All stainless steel construction. Adds rigidity to entire cabinet for maximum durability and reliable performance, and eliminates raw edges for easy cleaning and safety. Sleek exterior styling is easy to clean.



**OTD1520**

(shown with optional wrap-around bumper)

**OTD: ALL STAINLESS STEEL TUBULAR FRAME...** Heavy-duty stainless steel frame with stainless steel bottom and tray platform.

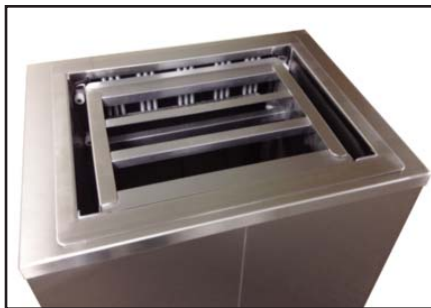


**CTD1520**

(shown with optional corner bumpers)

**CTD: ALL STAINLESS STEEL...** Heavy-duty stainless steel lowerator housing with stainless steel bottom and tray platform.

**RUBBER TREAD CASTERS WITH SEALED ROLLER BEARING...** Long lasting, easy rolling for maximum load and minimum maintenance. All swivel casters fitted with brakes.



**ADJUSTABLE TRAY PLATFORM...**Field adjustable springs to accommodate differences in tray weights and heights. Number of connected springs can be increased or decreased to change the platform tension.



1551 McCormick Avenue, Mundelein, Illinois 60060  
Tel. (847)362-5500 • (800)323-9793 • Fax (847)367-8981  
[www.carter-hoffmann.com](http://www.carter-hoffmann.com)

