

## GAS TILTING SKILLET 30 AND 40 GALLON



GLTS-30  
(show with option tangent draw-off)

- GLTS-30
- GLTS-40

### OPERATION SHALL BE BY:

- Natural Gas
- Propane Gas

The controls shall be equipped for operating on  
115 VAC, 1 phase, 50/60 Hz, 4 Amps

### OPTIONS & ACCESSORIES AT ADDITIONAL COST

- |  |  |
|--|--|
| <input type="checkbox"/> 220 VAC, 1 phase, 50/60 Hz (GSVS-1)     | <input type="checkbox"/> Steam pan insert (SPI-30, SPI-40)                     |
| <input type="checkbox"/> Etched liter markings (LMS-30, LMS-40)  | <input type="checkbox"/> 12" Single pantry faucet with swing spout (SF-12)     |
| <input type="checkbox"/> 2" draw off valve with strainer (TVT-2) | <input type="checkbox"/> 12" Double pantry faucet with swing spout (DF-12)     |
| <input type="checkbox"/> 3" draw off valve with strainer (TVT-3) | <input type="checkbox"/> 3" Stainless steel faucet plumbing enclosure (SPE-1)  |
| <input type="checkbox"/> Correctional Package                    | <input type="checkbox"/> Single pantry rinse spray head with 68" hose (SP-RSH) |
| <input type="checkbox"/> Pan carrier (PC-3)                      | <input type="checkbox"/> Double pantry rinse spray head with 68" hose (DP-RSH) |

### STANDARD CONSTRUCTION SPECIFICATIONS

Shall be a Crown model GLTS-30 or GLTS-40, gas fired tilting skillet, AGA/CGA and NSF Certified.

The unit shall have a stainless steel cover with spring assist hinges, full width handle, no-drip condensate guide and vent port with swing cover.

The pan shall have a sloped front and front hinged for easy tilting pour control and comes complete with a removable pour strainer.

Pan is formed from 10 gauge type 304 stainless steel with a #4 finish exterior and polished interior with coved corners for ease of cleaning and etched gallon markings.

Cooking surface shall be of 3/4" triple-ply construction with 3/8" thick aluminum core ensuring even heat distribution over entire cooking surface.

The pan shall be mounted on a heavy duty welded frame with stainless steel exterior supported by an all welded 1-5/8" (41mm) stainless steel pipe frame with adjustable bullet feet and rear legs fitted with flange adjustable feet for securing to the floor.

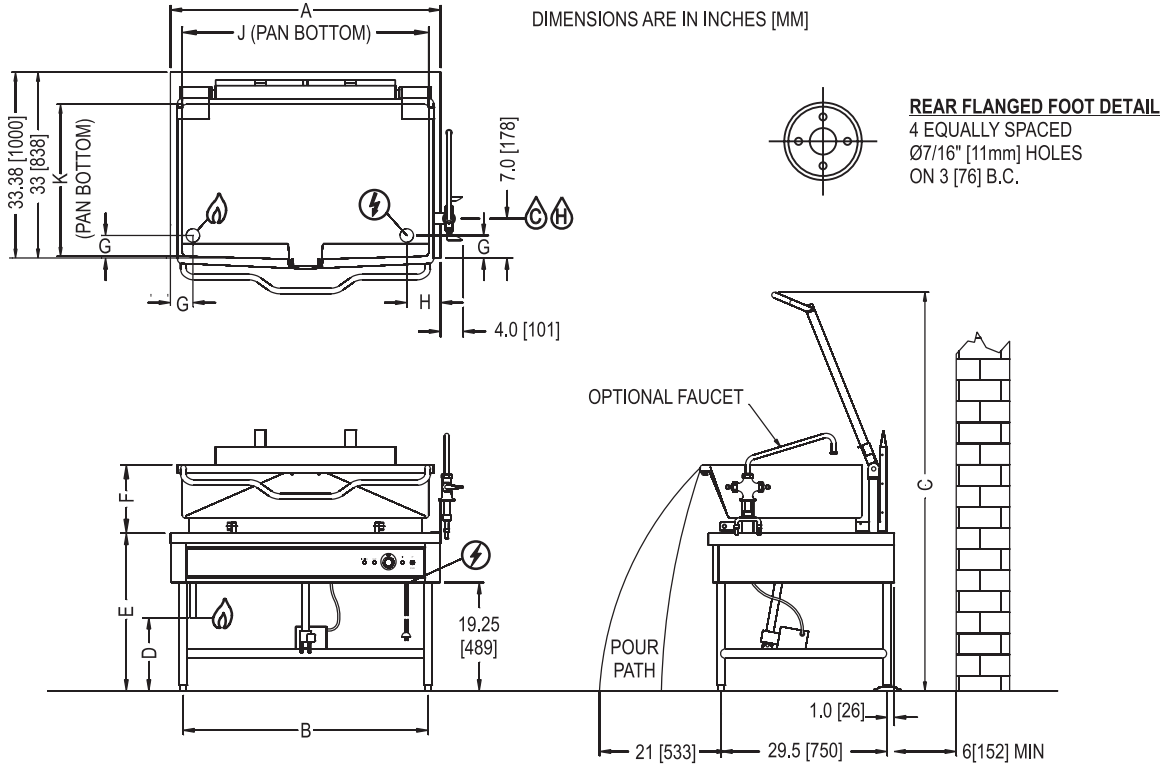
The controls shall include a ON/OFF power switch, solid state thermostat with OFF position and range of 100-450°F (38-232°C), a thermostat indicator light, an ignition indicator light, pan tilt switch that shuts burners off if tilted more than 5°, and high temperature cut-off set at 536°F(280°C).

Tilting is controlled by an electric motor driven ball drive actuator for smooth and precise tilting action.



Approval Notes: \_\_\_\_\_

\_\_\_\_\_



**SERVICE CONNECTIONS**

- ELECTRICAL CONNECTION: Unless otherwise specified, Field Wire Electrical Connection to be 120 Volts, 60 Hz, single phase with grounding wire. Unit furnished with 3 prong plug and 6' cord. Total max amps 4 Amps.
- GAS CONNECTION: Supply gas through 3/4" pipe.
- COLD WATER: 3/8" O.D. tubing to optional faucet
- HOT WATER: 3/8" O.D. tubing to optional faucet

**DIMENSIONS**

MODEL	CAPACITY	UNITS	A	B	C	D	E	F	G	H	J	K
GLTS-30	30 Gallons (114 liters)	inches (millimeters)	36" (914 mm)	33.5" (851 mm)	70" (1800 mm)	13" (330 mm)	28" (711 mm)	12.25" (311 mm)	4" (102 mm)	6" (152 mm)	33.5" (851 mm)	23.5" (597 mm)
GLTS-40	40 Gallons (152 liters)	inches (millimeters)	48" (1219 mm)	45.5" (1156 mm)	70" (1800 mm)	13" (330 mm)	28" (711 mm)	12.25" (311 mm)	4" (102 mm)	6" (152 mm)	43.5" (1105 mm)	23" (584 mm)

**GAS CHARACTERISTICS**

MODEL	SHIPPING WEIGHT	GAS SUPPLY				MINIMUM CLEARANCE *	
		BTU/HR	kW/HR	Supply Pipe Pressure (W.C)			
GLTS-30	550 lbs. [249 kg]	80,000	23.4	Natural 6" - 14" (152 mm - 356 mm)	Propane 11" - 14" (279 mm - 356 mm)	Sides	3" (76 mm)
GLTS-40	736 lbs. [334 kg]	100,000	29.3			Back	6" (152 mm)

\* For use on non-combustible floors only.

**SPECIFICATIONS**

MODEL	CAPACITY		
	BTU	GALLON	LITER
GLTS-30	80,000	30	114

MODEL	CAPACITY		
	BTU	GALLON	LITER
GLTS-40	100,000	40	152

**INTENDED FOR COMMERCIAL USE ONLY.  
NOT FOR HOUSEHOLD USE.**

