



DISPLAY WARMER



Food Warmer/Display Case, Countertop, Four Shelf Interior Rack, Capacity (4) 18" Pizzas, Inside Water Pan for Humidity, Adjustable Heat Control, Tempered Glass Front, Sides & Door, Stainless Steel Construction, 120V/60/1P/11A



PROJECT _____

ITEM NO. _____

NOTES _____

MODEL NUMBER: **DRP4**



FEATURES

- Easy to Ready Thermostat
- Adjustable Temperature Control up to 175°F
- Removable Glass Panels
- Internal Water Pan for Added Humidity
- (4) Removable Stainless Steel Shelves

CONSTRUCTION

- Stainless Steel Construction
- Adjustable Feet
- Compact & Illuminated

OPTIONS & ACCESSORIES

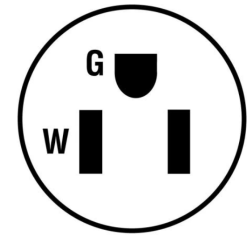
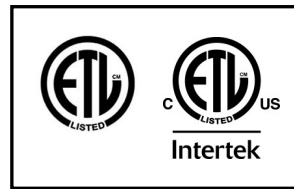
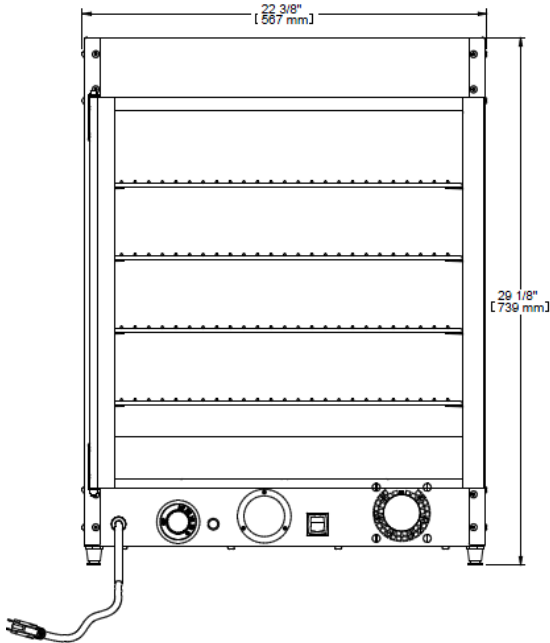
- Pass Thru Doors (SUFFIX PT)

CAPACITY

- (4) 19" Pizzas - 1 Per Shelf
- (16) 9" Pizzas - 4 Per Shelf

WARRANTY

- One Year Labor & Two Year Parts



| Model | Crated Weight | Overall Dimensions | | | Shelf Spacing | Door Opening | Electrical System | | | | | |
|-------|---------------|--------------------|---------------|---------------|---------------|---------------|-------------------|------|-----|----|-------|-------|
| | | W | D | H | | | Volts | Amps | kW | Hz | Wires | NEMA |
| DRP4 | 125 (57) | 22 3/8" (567) | 23 3/4" (604) | 29 1/8" (739) | 4" (101) | 19 3/4" (502) | 120 | 11 | 1.3 | 60 | 2 | 5-15P |

SPECIFICATIONS SUBJECT TO CHANGE WITHOUT NOTICE

KCL & REVIT DRAWINGS UPON REQUEST

REVISION A | 4/21/2021

Follow Us



Doyon

5600 13th Street, Menominee, MI 49858

906.863.4401 | 800.338.9886 | www.doyon.qc.ca

