

Project Name: _____ AIA#: _____

Model #: _____ Location: _____

SIS#: _____ Item #: _____ Quantity: _____



Medium-Duty Open Body Manual Slicer

Open to Possibilities!

Build a sandwich or design a deli platter right on the slicer and clean easily with the open base design!



Model

GSO12 – 12" Diameter Knife

Standard Features

- 12" carbon steel knife
- .4 HP motor
- Open-style body provides complete clearance under knife for easy cleaning, sanitizing and operation
- Max slice thickness 1-1/16"
- Accommodates product up 11" x 5.5", 8" dia.
- No Volt Release
- Table tilts easily for cleaning
- Permanently attached ring guard
- Heavy front-mounted end weight for easy loading and unloading products
- Easily removable slice deflector
- Sharpener stored on the slicer for convenience
- Non-slip rubber feet

Warranty

- One-year parts and labor

Standard Accessories

- Food fence

Optional Accessories

- Large slicer cover

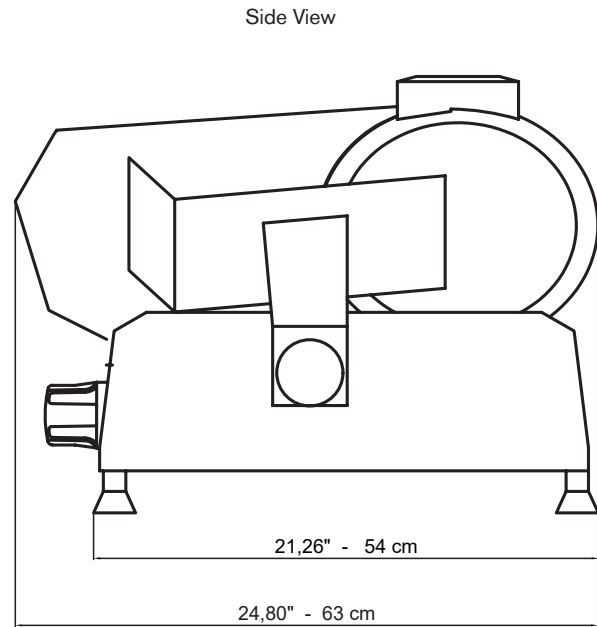
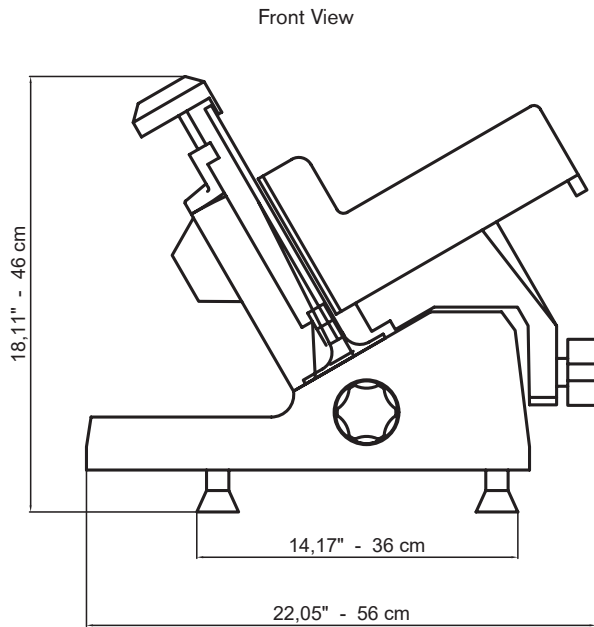
To select options, see complete list on back



AutoQuotes

Approved by: _____ Date: _____

2153 Dryden Rd., Dayton, OH 45439 | 937-299-5493 | 800-347-5423 | Fax: 937-299-4147 | www.globefoodequip.com



SPECIFICATIONS

Model	Auto or Manual	Motor	Volts	Amps	Drive Type	Slicing Volume per Day	Cheese Slicing	Blade Diameter	Max Slice	Product Cutting Capacity		
										W (Width)	D (Diameter)	L (Length)
GSO12	Manual	.4 HP	120V	3.5	Belt	6 hours		12" (30.5 cm)	1-1/16" (2.7 cm)	11" (27.9 cm)	8" (20.3 cm)	5.5" (14 cm)

Cord & Plug: Attached 6 foot flexible 3-wire cord with molded plug fits a grounded receptacle. NEMA 5-15

DIMENSIONS | SHIPPING INFORMATION

Reinforced carton for shipping. The weight and dimensions of this reinforced carton are included below and may vary from shipment to shipment. **Freight class 85.**

Model	Overall Dimensions	Net Wt	Shipping Dimensions	Ship Wt
GSO12	22.5" W x 27" D x 20.5" H (57.2 cm x 68.6 cm x 52 cm)	66 lbs (30 kg)	30" W x 26" D x 22.5" H (76 cm x 66 cm x 57 cm)	81.5 lbs (37 kg)

Manual slicer with 12" diameter carbon steel knife. Open body style for complete clearance under knife. Anodized aluminum base for easy cleaning. Motor is .4 HP, No Volt Release. Front-mounted end weight for easy product loading. Sharpener stored on slicer. non-slip rubber feet. Slicer is ETL listed and ETL Sanitation listed. One-year parts and labor warranty.

OPTIONAL ITEMS:

SC-LARGE Large slicer cover