



IM-0550-22 Ice Cube Machine

Models

- IM-0550-AC-22 IM-0550-AH-22



ICETRO IM-0550-22 ice machine on a IB-026-22 bin
*Ice Machine and Bin sold separately

- Up to 508lbs production capacity (70F/50F, 24 Hours)
- 304 stainless-steel exterior (durable & rust-resistant)
- ENERGY STAR® qualified
- Simple diagnostic panel to assist service & maintenance
- Cleaning switch for auto cleaning cycle
- Magnetic frame cleanable condenser air filters
- Adjustable flush time to reduce scale & cleaning cost
- ABS antimicrobial interior to reduce slime & cleaning cost
- Water distributor tube & water sump removed w/o tools
- Heavy duty water curtain, pins & hangers for easy removal
- Hinged front doors for easy access
- No screws on side or back panels for easy access
- Sides & topvents for optimal ventilation
- Improved evaporator section to reduce airborne bacteria
- R-404A refrigerant

Ice Shape



Half Cube
3/8" x 1 1/8" x 7/8"
(.95 x 2.86 x 2.22 cm)



Cube
7/8" x 7/8" x 7/8"
(2.22 x 2.22 x 2.22 cm)

Factory Warranty

Parts & Labor	Parts	Parts
3 YR	5 YR	5 YR
Ice Maker	Evaporator	Compressor



Extend ice machine warranty 1 year by installing an IcePro 400 or 800 with ice machine.

* Applies only to new ice machines, at the time of original installation & start-up.

Specifications

BTU Per Hour:

7,602

Refrigerant:

R404A

- Ambient Temperature Range: 50 to 100 F (10 to 37 C)
- Water Temperature Range: 50 to 90 F (10 to 32 C)
- Potable Water Pressure: Min. 20 psi (137.9 kPA) Max. 80 psi (551.1 kPA)
- Condenser Water Pressure: Min. 20 psi (1.38 bar) Max. 150 psi (10.34 bar)

Ice Machine Electric

115/60/1

Minimum circuit ampacity:

Air-cooled: 20 *1ph*

Maximum fuse size:

Air-cooled: 25 *1ph*

Accessories

Bin Adapter

IBT-2230B Center Mount 30" Bin*
IBT-2230BV Center Mount 30" Bin

* Bins with S/N prior to VA/JJ

Bin-Stat Kit

IBO-150KIT

Recommended when ice machine is installed on soda dispenser.



Water Filtration

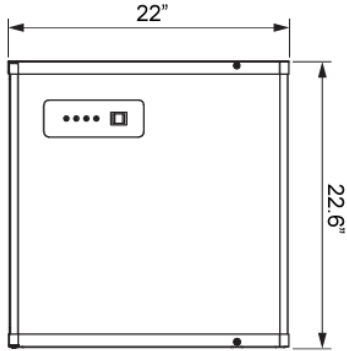
IcePro 400 or 800
Reduces sediment and chlorine contaminants with the use of Citrine.



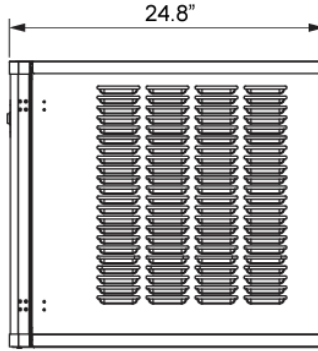


IM-0550-22 Ice Cube Machine

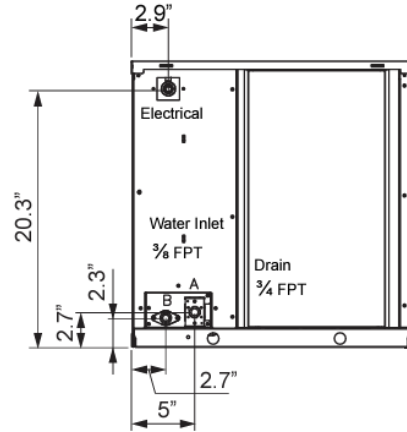
IM-0550-22 Air Cooled



FRONT VIEW



SIDE VIEW



BACK VIEW

Specifications

Dimensions	Width	Depth	Height	Weight
IM-0460-22 Machine	22"	24.8"	22.6"	143.3 lbs (Net) 171 lbs (Shipping)

Model	Ice Shape	Ice Production 24 Hours		Power Usage kWh/100 lbs. @90°Air/70°F	Potable Water Usage/100 lbs. 45.4 kgs. of Ice
		70°Air/ 50°F Water	90°Air/ 70°F Water		
AIR COOLED	cube	1 ph	1 ph	1 Ph	18 Gal.
		508lbs	442lbs	6.08	18 Gal.
	half-cube	508lbs	442 lbs	6.08	18 Gal.
		230kgs	201 kgs		18 Gal.

