



GAS

TUBE FIRED FRYERS/FILTERS SPACE SAVER FILTER SYSTEMS



IFSSP250-OP

Space Saver Filter System

MODEL NUMBERS

IFSSP250-OP IFSSP275-OP
IFSSP350-OP IFSSP375-OP
IFSSP450-OP IFSSP475-OP
IFSSP550-OP IFSSP575-OP
IFSSP650-OP IFSSP675-OP

FILTER PACKAGE CHOICES

- Up to six fryers can be battered into one fryer / filter system.
- Available for 50 and 75 lb. (27 and 41 Liters) oil capacity fryers.
- Available with Snap Action Thermostats, Electronic Thermostats or Computer Controls.

LOCATED UNDER FRYERS

- Filter location under fryers saves valuable space.
- Internally plumbed oil drain and return line.

UNIQUE FILTER PAN DESIGN

- Filter pan is designed for maximum oil return.
- Stainless steel construction is easy to clean and has a professional look.
- Positive-latching filter paper holder holds paper in place for optimal filtration.
- Quick disconnect connection offers quick and safe connection of the filtered oil back into the frypots.
- All oil drain and return lines are internally plumbed for convenience and safety.

ROLLER-PUMP

- 5.5 GPM pump with a 1/3 HP motor speeds up filtering process.
- Can pump oil into a disposal vat up to 20 feet away.

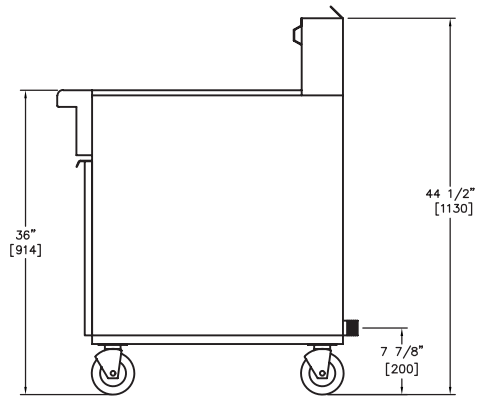
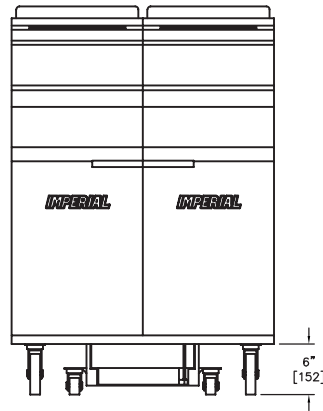
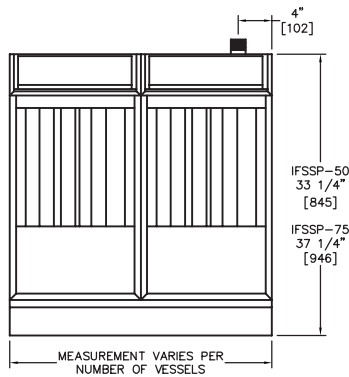
EXTERIOR FEATURES

- Continuous cabinet provides a professional look.
- 5" (127 mm) deep continuous stainless steel front landing ledge.
- Stainless steel precision welded frypot.
- Includes casters, joiner strips and filter starter kit.
- Rear gas manifold with one point gas connection.



GAS

TUBE FIRED FRYERS/FILTERS SPACE SAVER FILTER SYSTEMS



SPACE SAVER OPEN POT FRYER/FILTER SYSTEMS

MODEL	OIL CAPACITY	FRYER DEPTH	FRYERS	SHIP WEIGHT KG	SHIP WEIGHT LBS
IFSSP250-OP	50 LBS. (41 L)	30" (762 MM)	2	252	556
IFSSP350-OP	50 LBS. (41 L)	30" (762 MM)	3	367	809
IFSSP450-OP	50 LBS. (41 L)	30" (762 MM)	4	482	1062
IFSSP550-OP	50 LBS. (41 L)	30" (762 MM)	5	596	1315
IFSSP650-OP	50 LBS. (41 L)	30" (762 MM)	6	711	1568
IFSSP275-OP	75 LBS. (51 L)	34" (864 MM)	2	268	590
IFSSP375-OP	75 LBS. (51 L)	34" (864 MM)	3	390	868
IFSSP475-OP	75 LBS. (51 L)	34" (864 MM)	4	513	1130
IFSSP575-OP	75 LBS. (51 L)	34" (864 MM)	5	635	1400
IFSSP675-OP	75 LBS. (51 L)	34" (864 MM)	6	758	1670

FILTER ELECTRICAL REQUIREMENT			
VOLTS	PHAZE	HERTZ	AMPS
115 V	1	60	6.8 AMPS

6ft. (1829 mm) power cord with 3 prong plug provided

CLEARANCE

For use only on non-combustible floors with legs or casters. Provide 0" clearance from non-combustible surfaces and 6" (152 mm) from combustible surfaces.

OPTIONS AND ACCESSORIES

- Automatic basket lifts with computerized controls
- Manual controlled basket lifts
- Gas shut off valve, 3/4" N.P.T.
- Stainless steel tank cover
- Stainless steel side drain shelf
- Stainless steel side splash
- Manual timer
- Filter paper 40# thickness, 20 microns, 100 sheets per box



MODEL	DIMENSIONS	CRATED DIMENSIONS	MODEL	DIMENSIONS	CRATED DIMENSIONS
IFSSP250-OP	31" W X 33-1/4" D X 44-1/2" H (787 X 845 X 1124 MM)	32-1/2" W X 39" D X 49-1/2" H (826 X 991 X 1257 MM)	IFSSP275-OP	39" W X 37-1/4" D X 44-1/2" H (911 X 946 X 1124 MM)	40-1/2" W X 43" D X 49-1/2" H (1029 X 1092 X 1257 MM)
IFSSP350-OP	46-1/2" W X 33-1/4" D X 44-1/2" H (1181 X 845 X 1124 MM)	48" W X 39" D X 49-1/2" H (1219 X 991 X 1257 MM)	IFSSP375-OP	58-1/2" W X 37-1/4" D X 44-1/2" H (1486 X 946 X 1124 MM)	60" W X 43" D X 49-1/2" H (1524 X 1092 X 1257 MM)
IFSSP450-OP	62" W X 33-1/4" D X 44-1/2" H (1575 X 845 X 1124 MM)	63-1/2" W X 39" D X 49-1/2" H (1613 X 991 X 1257 MM)	IFSSP475-OP	78" W X 37-1/4" D X 44-1/2" H (1981 X 946 X 1124 MM)	79-1/2" W X 43" D X 49-1/2" H (2019 X 1092 X 1257 MM)
IFSSP550-OP	77-1/2" W X 33-1/4" D X 44-1/2" H (1969 X 845 X 1124 MM)	79" W X 39" D X 49-1/2" H (2007 X 991 X 1257 MM)	IFSSP575-OP	97-1/2" W X 37-1/4" D X 44-1/2" H (2477 X 946 X 1124 MM)	99" W X 43" D X 49-1/2" H (2515 X 1092 X 1257 MM)
IFSSP650-OP	93" W X 33-1/4" D X 44-1/2" H (2362 X 845 X 1124 MM)	94-1/2" W X 39" D X 49-1/2" H (2400 X 991 X 1257 MM)	IFSSP675-OP	117" W X 39" D X 45-3/4" H (2972 X 946 X 1124 MM)	118-1/2" W X 43" D X 49-1/2" H (3010 X 1092 X 1257 MM)