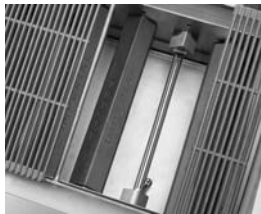
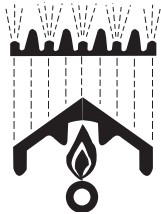


Model Numbers

IHR-RB      IHR-RB-M



Stainless steel burners with cast-iron radiants.



Burner heats radiant which radiates heat to the grate and food item.



Stainless steel open cabinet base is ideal for storage.



IHR-RB shown

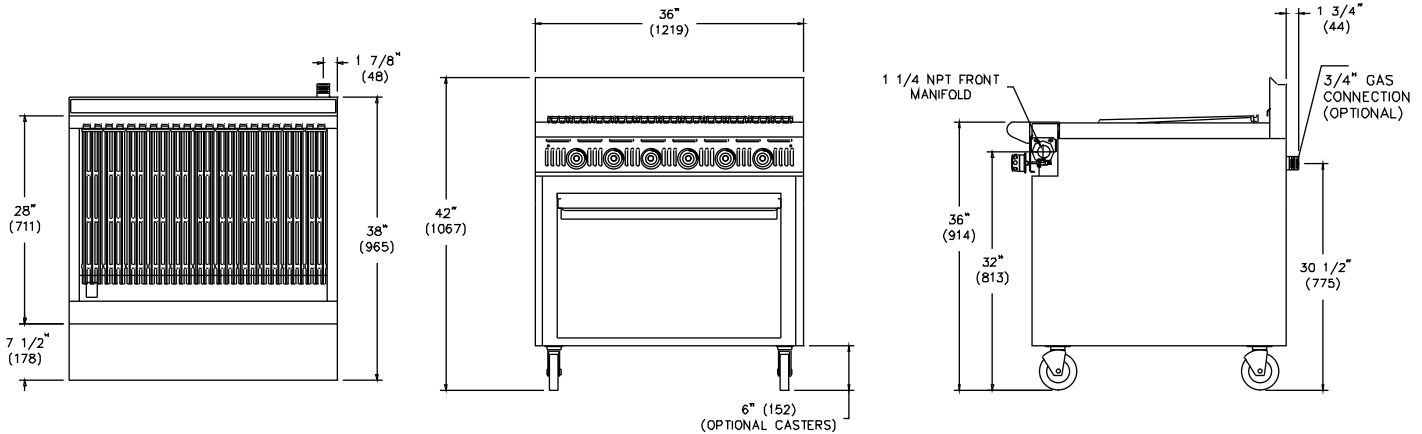
**RADIANT BROILER** - Individually controlled 15,000 BTU/hr. (4 KW) stainless steel burners.

- Burners are located every 6" (152 mm) with individual controls.
- Removable, reinforced cast iron radiants prevent clogging of burners and provide even broiling.
- Heavy duty cast iron top grates provide attractive char-broiler markings.
- 3" x 22" (76 x 559) sections remove easily and safely for cleaning.
- Slanted cooking surface provides a range of cooking temperatures.
- Each top grate blade has a cast-in grease trough that allows excess fat to flow to the front grease gutter minimizing flare-up.
- Full width grease gutter and large capacity removable drip pan.
- Insulated throughout cooktop to conserve energy.
- No tools are needed to remove grates, radiant covers and stainless steel burners for cleaning.
- Available in floor and countertop models.

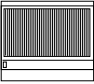
**EXTERIOR FEATURES** - Sleek European styling with wide radius ledge and stainless steel backsplash.

- Stainless steel front, sides, stub back, landing ledge and kick plate.
- Welded and polished stainless steel seams.
- Enclosed front 1-1/4" (32 mm) manifold.
- Common ledges and backguards are available as options for a seamless, professional look.
- Large 7" (178 mm) stainless steel landing ledge.
- Unique cast aluminum control knobs feature a heat protection grip.
- Full width, removable crumb tray for easy cleaning.
- 6" (152 mm) high 2-1/2" (64 mm) diameter heavy duty legs with adjustable feet.
- One year parts and labor warranty.





**HEAVY DUTY RADIANT BROILER**

TOP	MODEL	GAS OUTPUT BTU (KW)	COOKING SURFACE DIMENSIONS	SHIP WEIGHT (KG) LBS
	IHR-RB	90,000 (26 KW)	32" x 22" (813 x 559 mm)	(245) 541
	IHR-RB-M	90,000 (26 KW)	32" x 22" (813 x 559 mm)	(183) 403

Measurements in ( ) are metric equivalents.

**NOTES**

- "M" specifies Modular, Counter Top Model

**EXTERIOR**

- Stainless steel front, sides, stub back, landing ledge and cabinet
- Welded and polished stainless steel seams
- Large 7" (178 mm) stainless steel landing ledge
- Control knobs are durable cast aluminum with a heat protection grip
- Full width, removable crumb tray for easy cleaning
- 6" (152 mm) heavy duty legs with adjustable feet on floor model
- One year parts and labor warranty

MODEL	DIMENSIONS	CRATED DIMENSIONS
IHR-RB	36" w x 38" d x 36" h* (914 x 965 x 914 mm)	39-1/2" w x 41" d x 35" h (1003 x 1041 x 889 mm)
IHR-RB-M	36" w x 38" d x 11" h* (914 x 965 x 279 mm)	39-1/2" w x 41" d x 17" h (1003 x 1041 x 432 mm)

\* to cooktop

MANIFOLD PRESSURE	MANIFOLD	
NATURAL GAS	PROPANE GAS	MANIFOLD SIZE
5.0" W.C.	10.0" W.C.	1-1/4"

Specify elevation, if over 2,000 ft.

**CLEARANCE REQUIREMENTS**

For use only on non-combustible floors. Legs or casters are required for non-combustible floors; or 2" (51 mm) overhang is required when curb mounted. Provide 0" clearance from non-combustible surfaces and 8" (203 mm) from combustible surfaces.

**OPTIONS AND ACCESSORIES**

- Heavy duty stainless steel backguard
- Stainless steel common front landing ledge 54", 72", 90", 108" (1372, 1829, 2286, 2743 mm)
- Stainless steel double doors on open cabinet base
- Stainless steel center shelf in open cabinet base
- 3/4" rear gas connection for single unit connection
- 1-1/4" rear gas connection batteries up to 600,000 BTU (176 KW)
- Gas shut off valve, 3/4" or 1-1/4", N.P.T.
- Gas pressure regulator, 3/4" or 1-1/4", N.P.T.
- Quick disconnect and flexible gas hose, 3/4" or 1-1/4", N.P.T
- Stainless steel equipment stand for modular unit
- 6" (152 mm) casters for stainless steel stand

