



GAS

PRO SERIES | RANGE MATCH

IMPERIAL



IHSB-36 SALAMANDER BROILER

- Salamander Broilers with Infrared Burner. Reinforcement channels and single high shelf are required for range mount.
- Available as a wall mount.

PROFESSIONAL SALAMANDER BROILER

- 40,000 BTU with dual control valves for precise cooking.
- Protective screen covers the burner.
- Heavy duty spring and slide out mechanism for easy maneuvering of the tray.
- 4 position rack locks
- Welded frame assembly

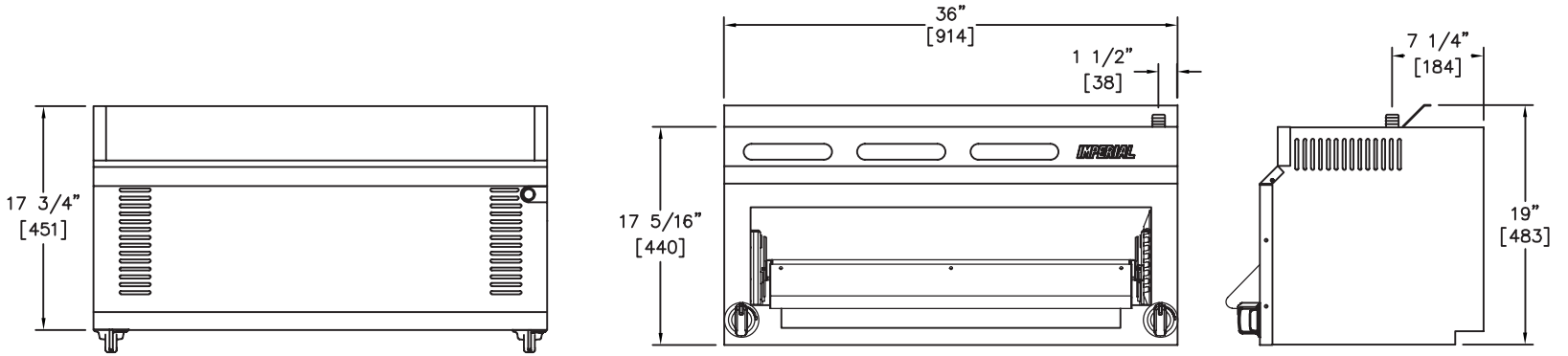
EXTERIOR FEATURES

- Designed and built with heavier gauge 304 stainless steel for durability and long service life.
- 2 large die cast metal knobs for ease of use.
- Heavy guage rack assembly



GAS

PRO SERIES | RANGE MATCH



SALAMANDER BROILERS

MODEL	DESCRIPTION	GAS OUTPUT BTU	GAS OUTPUT KW	SHIP WEIGHT KG	SHIP WEIGHT LBS
IHSB-36	36" (914) INFRA-RED	40,000	12	95	210

MODEL	DIMENSIONS	CRATED DIMENSIONS
IHSB-36	36" W X 17-3/4" D X 19" H 915MM X 451MM X 483MM	38" W X 19-3/4" D X 21" H 965MM X 502MM X 508MM

SALAMANDER ACCESSORIES

- 2 ea. Reinforcement channels to mount the IHSB-36 on a range
- Wall mount bracket
- Counter top installation, leg kit
- One point 3/4" gas connection from IHSB to IR range. Specify IR Range model.
- Stainless Steel, top, bottom, front and sides for the IHSB is standard.

