



GAS

GRIDDLES | MANUALLY CONTROLLED

IMPERIAL



IMGA-3628

Model Numbers

IMGA-2428	IMGA-3628-1
IMGA-3628	IMGA-4828-1
IMGA-4828	IMGA-6028-1
IMGA-2428-1	IMGA-7228-1



BURNERS

- Each manually controlled griddle burner is rated at 30,000 BTU (9KW).
- Each burner has an adjustable gas valve and continuous pilot for instant ignition.
- Aeration baffles between burners spread the heat evenly across the entire griddle surface.
- Burners are located every 12" (305 mm).

GRIDDLE PLATE

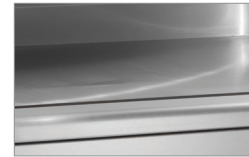
- Thick, highly polished steel plate holds temperature and has a quick recovery.
- Two plate thickness available, 3/4" (19 mm) and 1" (25 mm) for models with (-1) suffix.
- Full 24" (610 mm) plate depth for more cooking surface.
- Surface is ideal for a large range of menu items.
- Optional chrome and grooved griddle top are available as an option.

GREASE MAINTENANCE

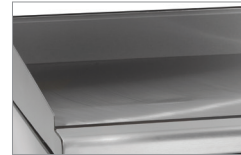
- Stainless steel grease gutter is 4" (102 mm) wide.
- Large 1 gal (3.8 L) capacity grease can has a weep hole to indicate when full.
- Grease can removes easily.



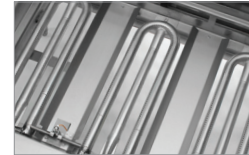
4" (102) WIDE GREASE GUTTER AND 1 GAL. (3.8 L) GREASE CAN



THICK HIGHLY POLISHED STEEL GRIDDLE PLATE MAINTAINS SELECTED TEMPERATURE.



FULL WIDTH REAR FLUE DISTRIBUTES HEAT UNIFORMLY ACROSS THE GRIDDLE SURFACE.



AERATION BAFFLES BETWEEN BURNERS SPREAD HEAT ACROSS GRIDDLE FOR MORE EVEN HEATING.

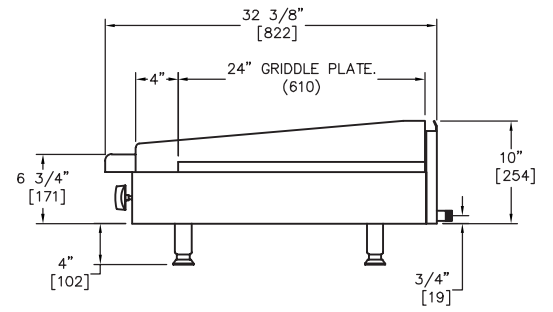
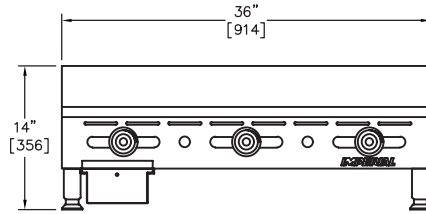
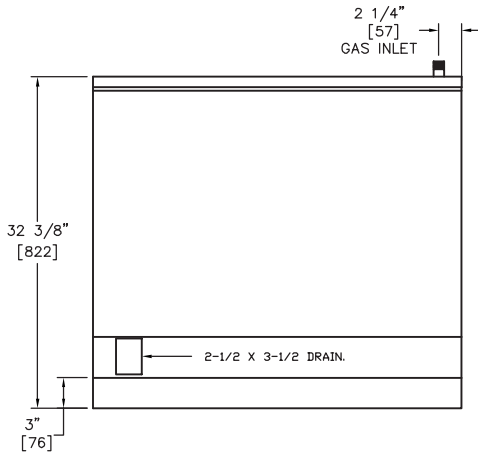
EXTERIOR

- Stainless steel front, sides, splash guard, and ledge.
- Stainless steel ledge is one piece rolled for cleaning convenience.
- Range match profile when placed on a refrigerated base or equipment stand.
- Control knobs are cast aluminum with a Valox™ heat protection grip.
- 4" (102 mm) stainless steel legs are included.
- One year parts and labor warranty.



GAS

GRIDDLES | MANUALLY CONTROLLED



MANUALLY CONTROLLED GRIDDLES

3/4" (19) HIGHLY POLISHED PLATE

MODEL	WIDTH IN (MM)	BURNERS	GAS OUTPUT BTU (KW)	SHIP WEIGHT (KG) LBS
IMGA-2428	24" (610)	2	60,000 (18)	(91) 200
IMGA-3628	36" (914)	3	90,000 (26)	(138) 305
IMGA-4828	48" (1219)	4	120,000 (35)	(163) 360

MANUALLY CONTROLLED GRIDDLES

1" (25) HIGHLY POLISHED PLATE

MODEL	WIDTH IN (MM)	BURNERS	GAS OUTPUT BTU (KW)	SHIP WEIGHT (KG) LBS
IMGA-2428-1	24" (610)	2	60,000 (18)	(116) 255
IMGA-3628-1	36" (914)	3	90,000 (26)	(172) 380
IMGA-4828-1	48" (1219)	4	120,000 (35)	(193) 425
IMGA-6028-1	60" (1524)	5	150,000 (44)	(245) 540
IMGA-7228-1	72" (1829)	6	180,000 (53)	(290) 640

MODEL	GRIDDLE PLATE DIMENSIONS	DIMENSIONS	CRATED DIMENSIONS
IMGA-2428	24" W X 24" D (610 X 610 MM)	24" W X 32-3/8" D X 14" H (610 X 822 X 356 MM)	26-1/2" W X 36" D X 16-1/2" H (673 X 914 X 419 MM)
IMGA-3628	36" W X 24" D (914 X 610 MM)	36" W X 32-3/8" D X 14" H (914 X 822 X 356 MM)	38-1/2" W X 36" D X 16-1/2" H (978 X 914 X 419 MM)
IMGA-4828	48" W X 24" D (1219 X 610 MM)	48" W X 32-3/8" D X 14" H (1219 X 822 X 356 MM)	50-1/2" W X 36" D X 16-1/2" H (1283 X 914 X 419 MM)
IMGA-2428-1	24" W X 24" D (610 X 610 MM)	24" W X 32-3/8" D X 14" H (610 X 822 X 356 MM)	26-1/2" W X 36" D X 16-1/2" H (673 X 914 X 419 MM)
IMGA-3628-1	36" W X 24" D (914 X 610 MM)	36" W X 32-3/8" D X 14" H (914 X 822 X 356 MM)	38-1/2" W X 36" D X 16-1/2" H (978 X 914 X 419 MM)
IMGA-4828-1	48" W X 24" D (1219 X 610 MM)	48" W X 32-3/8" D X 14" H (1219 X 822 X 356 MM)	50-1/2" W X 36" D X 16-1/2" H (1283 X 914 X 419 MM)
IMGA-6028-1	60" W X 24" D (1524 X 610 MM)	60" W X 32-3/8" D X 14" H (1524 X 822 X 356 MM)	62-1/2" W X 36" D X 16-1/2" H (1588 X 914 X 419 MM)
IMGA-7228-1	72" W X 24" D (1829 X 610 MM)	72" W X 32-3/8" D X 14" H (1829 X 822 X 356 MM)	74-1/2" W X 36" D X 16-1/2" H (1892 X 914 X 419 MM)

OPTIONS AND ACCESSORIES

- Stainless steel equipment stands
- 6" (152 mm) casters for equipment stands
- Open burners available, set of 4 burners, add 24" (610 mm) to width and "OB-4" to model number
- Open burners available, set of 2 burners, add 12" (305 mm) to width and "OB-2" to model number
- 7" (178 mm) deep, stainless steel front landing ledge
- 9" (229 mm) deep, stainless steel front landing ledge
- Chrome griddle top, (add "-CG" to model number)
- Grooved griddle top, (add "-GG" to model number)
- Extra grease can

CLEARANCE REQUIREMENTS

For use only on non-combustible surfaces. Provide 0" clearance from non-combustible surfaces and 6" (152 mm) from combustible surfaces.

MANIFOLD PRESSURE		
NATURAL GAS	PROPANE GAS	MANIFOLD SIZE
5.0" W.C.	10.0" W.C.	3/4" (19 MM)

