

Lang® ECOH Electric Half-Size Convection Ovens

MODEL:

■ ECOH-AP ■ ECOH-PP ■ ECOH-PT



ECOH-PT SHOWN WITH OPTIONAL 16" STAND

DESCRIPTION

The ECOH Ovens offer 150 to 450°F operating temperature range, solid state temperature control accurate to ± 4°F, two speed fan with fan pulse capability and door interlock switch cuts power to fan. The perfect bake every time. The perfect bake every time.

SPECIFICATIONS

Convection Oven shall be a LANG Manufacturing Model ECOH-___ with [AP=Accu-Plus, PP=Purple Plus or PT=Platinum] Control Package, an 7.8-kW electric heated 5-pan half-size unit, with: heavy duty door; all stainless steel exterior and interior cooking compartment; powerful side mounted blower with two speed motor and pulse control; single 208V/240V, 1- or 3-Phase; optional 480V only on -AP model, 3-phase electrical connection and five pan racks standard; plus a lifetime warranty on the door mechanism.

WARRANTY

These units come with a one [1] year warranty for parts and labor & limited lifetime warranty on the door mechanism.

PAN CAPACITY GUIDE		
PAN TYPE	RACK POSITIONS	OPTIMUM
13" X 18" Half-Sheet	9	5
12" X 20" Hotel*	-	10
*2-1/2" deep pans		

FEATURES

- Solid state temperature control accurate to ± 4°F
- 150 to 450°F operating temperature range
- Two speed fan with fan pulse capability
- Stackable design for up to two units
- Heavy duty 430 Series stainless steel exterior and interior
- Fully enclosed oven back
- 2" insulation on six sides of cooking compartment
- Heavy-duty compartment door, with large double pane tempered glass window
- Left Hinged door field reversible to Right hinged configuration
- Powerful blower centered on side of compartment
- 9-position pan slides with 5 chrome plated wire racks provided
- Door interlock switch cuts power to fan

Accu-Plus Controls [-AP]

- Analog knob-set time and temperature controls
- 1-hour timer with non-stop buzzer
- Pulse-fan switch
- HIGH-LOW speed fan switch

Purple Plus Controls [-PP]

- One-touch programmable controls
- 10 product buttons, programmable up to four tiers
- 4x20 character LCD display panel
- Time, temperature, heat loss and adjustable shelf compensation
- Cook-n-Hold programming
- 2-speed fan & variable-rate pulse-fan control

Platinum Controls [-PT]

- Icon driven, one-touch programmable controls
- Up to 99 product programs, with multiple baking tiers
- Time, temperature, heat loss and adjustable shelf compensation
- Cook-n-Hold programming
- 2-speed fan & variable-rate pulse-fan control
- Computer link programming

OPTIONS & ACCESSORIES

- ES-COH16C - 16" high oven stand with casters
- ECOH-C4 - 5" casters, Qty (4)
- ECOH-C4 - 6" leg kit, Qty (4)

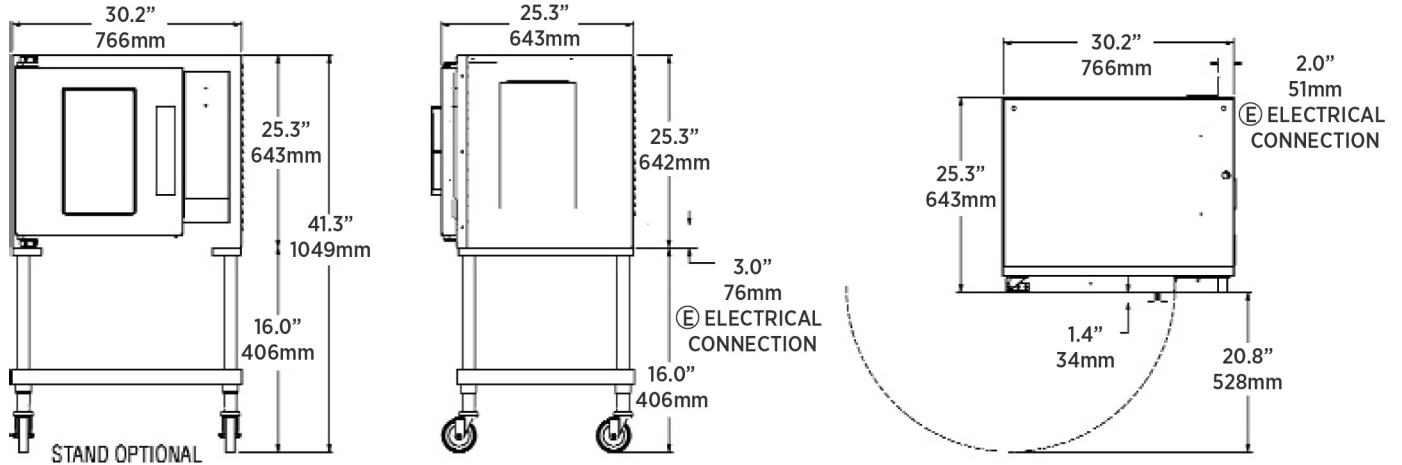
CERTIFICATIONS





Lang® ECOH Electric Half-Size Convection Ovens

□ ECOH-AP □ ECOH-PP □ ECOH-PT



INSTALLATION REQUIREMENTS: (E) Single 208V/240V, 1- or 3-Phase; optional 480V, 3- phase electrical connection only on ECOH-AP model [Power connection from rear]

CLEARANCES: Sides: 6", Back: 6", Bottom: 6"

MODEL	HEIGHT in. (mm) (without optional stand)	WIDTH in. (mm)	DEPTH in. (mm)	VOLTAGE 60Hz	PHASE	kW	AMPS/LINE [1Ø/3Ø]	APPROX. WEIGHT SHIPPING	APPROX. WEIGHT INSTALLED
ECOH	25.3 (642)	30.2 (766)	25.3 (643)	208V 240V *480V	1Ø or 3Ø 1Ø or 3Ø 3Ø	7.8	37.5/22.1 32.5/19.1 9.3	225 lb. (102 kg)	185 lb. (84 kg)

*only available for -AP models

Due to periodic changes in designs, methods, procedures, policies and regulations, the specifications contained in this sheet are subject to change without notice. While Star Manufacturing exercises good faith efforts to provide information that is accurate, we are not responsible for errors or omissions in information provided or conclusions reached as a result of using the specifications. By using the information provided, the user assumes all risks in connection with such use.

Due to continuous improvements, specifications subject to change without notice

