



SECTIONAL RANGE STOCK POT SPR-1J, SPR-2J, SPR-2J-FB

- SPR-1J - Single
- SPR-2J - Double (Side to Side)
- SPR-2J-FB - Double (Front to Back)

The Southbend Stock Pot Range offers uncontested raw power to provide a consistent output for large volume cooking. The valve control system regulates the BTUs to ensure cooking accuracy, whether at a simmer setting or at the maximum BTUs.



SPR-1J



SPR-2J-FB

Standard Features

- Stainless steel front, sides and plate shelf
- 14 gauge all welded construction
- SPR-1J has three ring cast iron burner (15K, 45K and 60K BTU)
- SPR-2J has (2) three ring cast iron burners (15K, 45K and 60K BTU)
- SPR-2J-FB has (2) cast iron burners (45K BTU)
- (1) Stainless steel pilot tip per burner ring
- Removable, welded steel top grate
- Welded steel 14 gauge drip tray under burners
- Heavy gauge round tube legs with adjustable feet
- 3/4" gas regulator included
- Heavy gauge round tube legs with adjustable feet
- 3/4" gas regulator included
- (1) year limited parts and labor warranty (reference <http://www.southbendnc.com/service.html> for limited warranty details).

OPTIONS & ACCESSORIES AT ADDITIONAL COST

- Gas Shutoff Valve (specify size)
- Side Rail Protectors
- Wok Pot and Support Ring

STANDARD CONSTRUCTION SPECIFICATIONS

Exterior Finish: Stainless steel front, front rail and sides standard.

Range Top: (1) three ring 120,000 BTU cast iron non-clogging burner for SPR-1J. (2) three ring 120,000 BTU cast iron non-clogging burners for SPR-2J. Heat is controlled by three separate knobs for maximum heat control. (15K BTU, 45K BTU and 60K BTU). Front-to-back models come with (2) 45,000 BTU burners. Center-to-Center measurements between

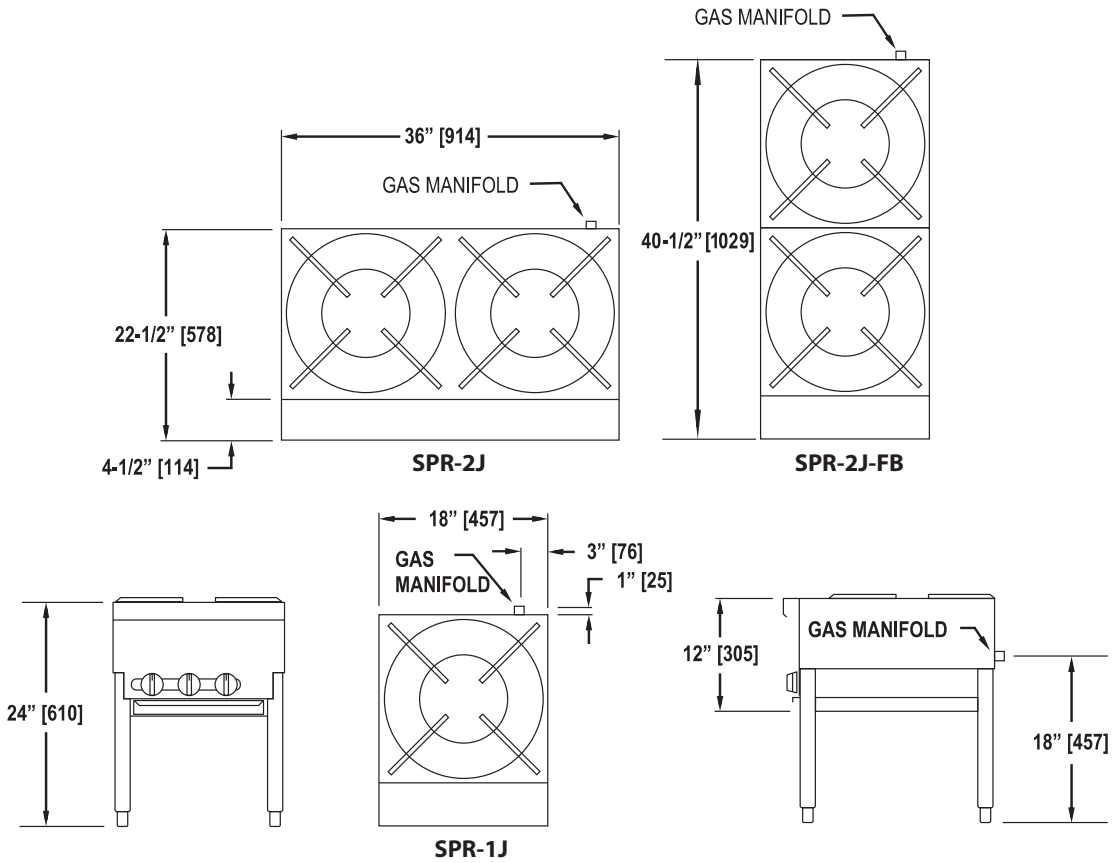
burners not less than 12", side to side or front to back. Removable grates are welded steel and a one-piece tray is provided under burners to catch drippings.

Legs: Heavy gauge round tube legs with adjustable feet

Pressure Regulator: Included



Approval Notes: _____



UTILITY INFORMATION

Model: SPR-1J, SPR-2J, SPR-2J-FB

Gas:

- SPR-1J Total BTU-NAT or LP: 120,000
- SPR-2J Total BTU-NAT or LP: 240,000
- SPR-2J-FB Total BTU-NAT or LP: 90,000
- One 3/4" male connection required for 1J and 2J-FB units
- Two 3/4" male connections required for 2J units
- Required operating pressure:
Natural Gas 5" W.C.
Propane Gas 10" W.C.
- If using Flex-Hose, the I.D. should not be smaller than the I.D. of the manifold of the unit to which it is being connected
- Check local codes for fire and sanitary regulations.

SPECIFICATIONS

Models	CUBIC VOLUME	CRATED WEIGHT
SPR-1J	5.6 cu. ft (.16 cu.m.)	90 lbs. (40.8 kg.)
SPR-2J	11.3 cu. ft (.32 cu.m.)	165 lbs. (74.8 kg.)
SPR-2J-FB	10.1 cu. ft (.57 cu.m.)	175 lbs. (79.4 kg.)

MISCELLANEOUS

- If using Flex-Hose, the I.D. should not be smaller than 3/4" and must comply with ANSI Z 21.69
- For installation on combustible floors and adjacent to combustible walls, allow 9" clearance on sides and 6" clearance on rear.
- Install under vented hood
- Check local codes for fire, installation and sanitary regulations.
- Not recommended with use with casters on any model

NOTICE:

Southbend has a policy of continuous product research and improvement. We reserve the right to change specifications and product design without notice. Such revisions do not entitle the buyer to corresponding changes, improvements, additions or replacements for previously purchased equipment.

**INTENDED FOR COMMERCIAL USE ONLY.
NOT FOR HOUSEHOLD USE.**

