



Job _____ Item No. _____

Star-Max® Electric Hot Plate

□501FF □502FF



501FF

502FF

FEATURES

- Sealed cast iron french top[s] for fast, even heating
- Independent temperature control for each burner
- Double-wall construction, enclosed bottom, and solid top reduce heat loss and provide a more comfortable work zone
- Compact design to fit almost any operation
- Heavy-duty metal knobs

CERTIFICATIONS



DESCRIPTION

Star-Max® electric hot plates are designed to be a reliable, versatile, and maintenance-free solution for almost any menu item. These units come in a wide variety of sizes and styles to fit any operation and provide the long-lasting solution you need for warming, cooking, and sauteing.

SPECIFICATIONS

Star-Max® electric hot plates will be constructed of aluminized steel with a stainless top and front bullnose. Units will be equipped with infinite control[s], pilot light[s], and sealed cast iron elements. The units will be designed to operate at within a voltage range of 208VAC through 240VAC. The 502FF will be supplied with 4-inch (102 mm) tall legs, and the 501FF will be supplied with 2.5-inch (64 mm) tall legs. 501FF will come with a six [6'] foot power cord with NEMA 6-15P plug. 502FF will come with a junction box ready for supply wires or power cord to be attached.

WARRANTY

These units come with a two [2] year warranty for parts and labor.



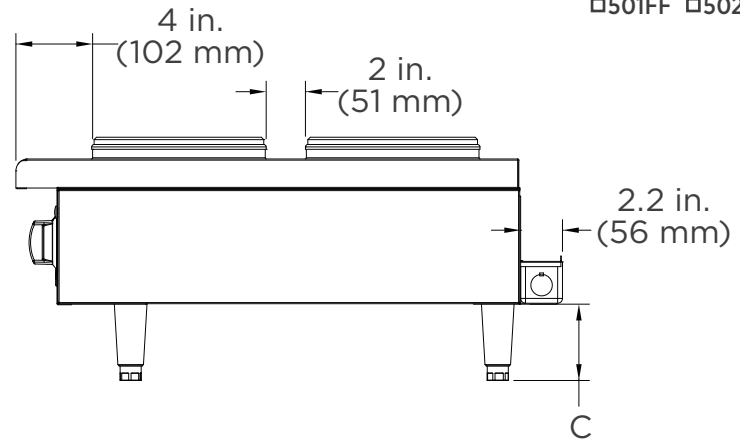
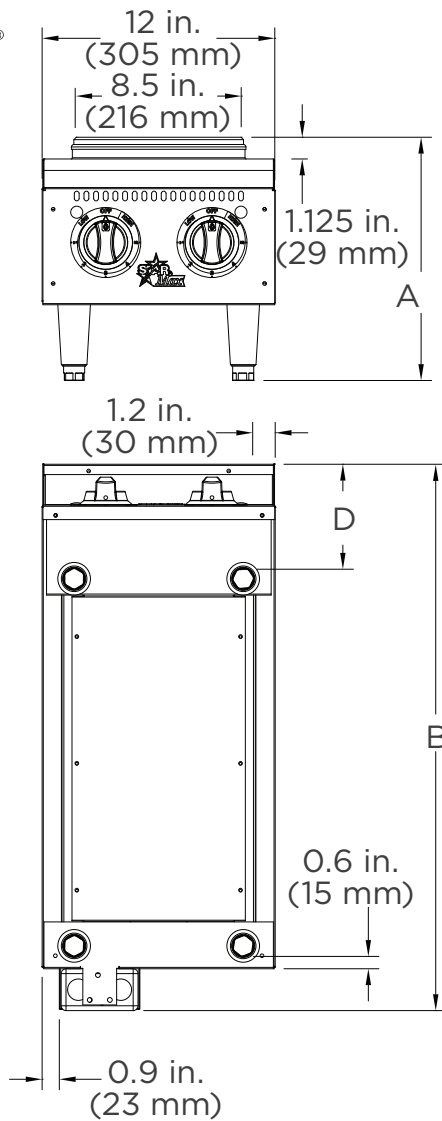
STAR MANUFACTURING INTERNATIONAL INC.
265 Hobson St. • Smithville, TN 37166
Telephone 800 264 7827 • Fax 314 781 5445
www.star-mfg.com

Printed in the U.S.A. • 2M-Z21737 • Rev A • 06.2019
Specifications are subject to change without notice and are not intended for installation purposes.



Star-Max® Electric Hot Plate

□501FF □502FF



[D]


This dimension is 3.7 in. (94 mm) on 502FF models and 3.5 in. (89 mm) on 501FF models.

REQUIRED WALL CLEARANCE

Unit requires one [1"] inch (25.4mm) of clearance from the wall on the sides and back.

LEGS

Unit cannot be operated without supplied legs.

MODEL	HEIGHT [A]	WIDTH	DEPTH [B]	LEG HEIGHT [C]	VOLTS (FREQUENCY)	WATTS	AMPS	PLUG OR SUPPLY CONNECTION	APPROX. SHIP WEIGHT	APPROX. INSTALLED WEIGHT
501FF	11.1 in. (282 mm)	12.0 in. (305 mm)	17.3 in. (439 mm)	2.5 in. (64 mm)	208 - 240 vac (50/60 Hz)	1,950 - 2,600	9.4 - 10.8	 NEMA 6-15P	35 lb. (15.9 kg)	25 lb (11.3 kg)
502FF	12.6 in. (320 mm)	12.0 in. (305 mm)	28.2 in. (716 mm)	4 in. (102 mm)	208 - 240 vac (50/60 Hz)	3,900 - 5,200	18.8 - 21.7	JUNCTION BOX	45 lb. (20.4 kg)	35 lb (15.9 kg)

Due to periodic changes in designs, methods, procedures, policies and regulations, the specifications contained in this sheet are subject to change without notice. While Star Manufacturing exercises good faith efforts to provide information that is accurate, we are not responsible for errors or omissions in information provided or conclusions reached as a result of using the specifications. By using the information provided, the user assumes all risks in connection with such use.



STAR MANUFACTURING INTERNATIONAL INC.

265 Hobson St • Smithville, TN 37166
Telephone 800 264 7827 • Fax 314 781 5445
www.star-mfg.com

Printed in the U.S.A. • 2M-Z21737 • Rev A • 06.2019
Please refer to the owner's manual for information regarding installation or use.