

B-506 BUILT-IN CHAR BROILER

B-506 BUILT-IN CHAR BROILER



Wells B-506 Built-In Char Broiler has a stainless steel top that makes this broiler one of the most durable in the industry. Self-cleaning elements are protected by the heavy-duty cast-iron grates and provide two heat zones for broiling flexibility.

Features

- **Self-cleaning elements** are positioned between the broiler grate ribs to guard against direct food contact and spatula abrasion. The elements also provide dual heating action (conductive and radiant).
- **Temperature** is regulated by two infinite controls with a positive-off position and signal lights to indicate a power-on condition.
- **Each element frame assembly** has a spring-loaded support rod to secure element when in a raised position.
- **Lift-out, drawn drip pans with handles** and removable **cast iron grates** allow fast and easy cleaning.
- **Each individual control** regulates one half of the grid surface area for cooking versatility.
- **Controls** are recessed in a one-piece, drawn, stainless steel panel to help prevent accidental temperature changes.
- **A terminal block** is provided for field connection to the main power supply.
- Each unit is provided with a **grate scraper/brush**.
- **The B-506 Broiler** is Underwriters Laboratories, Inc. Recognized and meets NSF International standards.
- **A one-year warranty** against defects covers parts and labor.

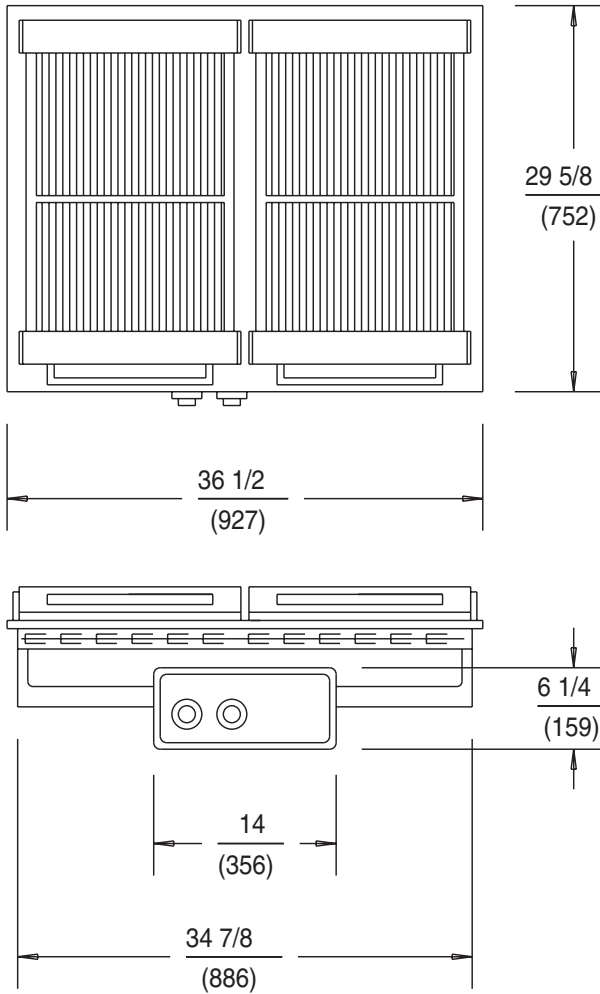
Specifications

Overall Dimensions:	Inches	MM
Width	36 1/2	927
Depth	29 9/16	751
Grid Surface Dimensions:		
Width	32	813
Depth	20	508
Area	640 in ²	.41 m ²
Temperature Settings:	OFF/LO to HI	
Number of Controls:	2	
Pre-Heat Time to 600° F:	10 minutes	
Typical Production:	Per Load	Per Hour
Hamburgers	50	700
Steaks	18	160
Weights:	Lbs.	KG
Installed	137	62
Shipping	142	64



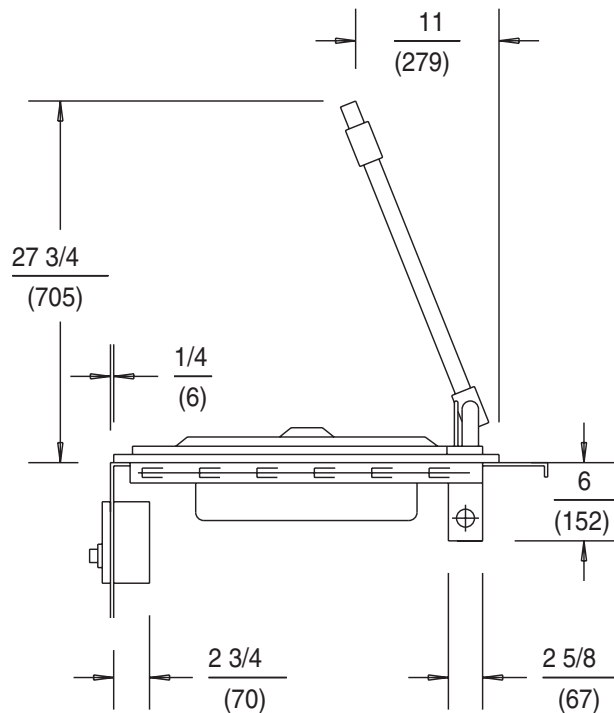
**MODEL
B-506
BUILT-IN CHAR BROILER**

DIMENSIONS: INCH
 (MM)



MINIMUM CLEARANCE REQUIRED FROM UNIT TO THE NEAREST SURFACE			
BACK	SIDE	BOTTOM	FRONT
$\frac{7}{8}$	$\frac{6}{8}$	$\frac{3}{8}$	$\frac{5}{8}$
(178)	(152)	(76)	(16)

NOTE: Depending on the installation, clearances can be reduced upon further evaluations to UL standards.



B-506 ELECTRICAL SPECIFICATIONS:

MODELS	VOLTS	WATTS	AMPS PER LINE PHASE 3			AMPS SINGLE PHASE	POWER SUPPLY CORD
			L1	L2	L3		
B-506	208	10800	30.0	30.0	30.0	-	NONE
B-506	240	10800	26.0	26.0	26.0	45.0	NONE

NOTE: Specifications are subject to change without notice. See installation instructions prior to installing the unit. This document is not for installation purposes. The installation of recognized component units requires additional evaluations to Underwriters Laboratories, Inc. standards.

THIS UNIT IS DESIGNED TO BE INSTALLED IN METAL COUNTERS ONLY.

WELLS MANUFACTURING COMPANY
2 ERIK CIRCLE, PO BOX 280, VERDI, NV 89439 U.S.A.
USA PHONE: (775) 689-5700
FOR ORDERS ONLY: (888) 356-5362 • FAX: (800) 356-5142
www.wellsbloomfield.com
© 2001 WELLS MANUFACTURING • PRINTED IN THE U.S.A.
06/01 • REV(F) • PART NO. 37116

