



SOLUTIONS

WELLS BLOOMFIELD, LLC

265 Hobson St. • Smithville, TN 37166

telephone: (800) 264-7827

wells-mfg.com



*Model
WVOC-2HFG*

OWNERS MANUAL

WVOC-2 SERIES

**CONVECTION OVEN
and
COMBINATION COOK
CENTER**

**with
UNIVERSAL HOOD**

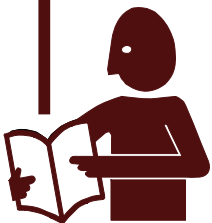
**MODELS:
WVOC-2HFG
WVOC-2HSG
VO2HF GG1R208**

**Includes
INSTALLATION
USE & CARE
EXPLODED VIEW
PARTS LIST
WIRING DIAGRAM**

IMPORTANT: DO NOT DISCARD THIS MANUAL

This manual is considered to be part of the appliance and is to be given to the OWNER or MANAGER of the restaurant, or to the person responsible for TRAINING OPERATORS of this appliance. Additional manuals are available from your WELLS DEALER.

THIS MANUAL MUST BE READ AND UNDERSTOOD BY ALL PERSONS USING OR INSTALLING THIS APPLIANCE. Contact your WELLS DEALER if you have any questions concerning installation, operation or maintenance of this equipment.



LIMITED WARRANTY STATEMENT

LIMITED EQUIPMENT WARRANTY

Wells Manufacturing warrants to the original purchaser of new Wells products to be free from defects in material or workmanship, under normal and proper use and maintenance service as specified by Wells and upon proper installation and start-up in accordance with the instructions supplied with each Wells unit. Wells' obligation under this warranty is limited to a period of one [1] year from the date of original installation, or eighteen [18] months from original invoice date, whichever occurs first. Defects that occur as a result of normal use, within the time period and limitations defined in this warranty, will at Wells' discretion have the parts replaced or repaired by Wells or a Wells-authorized service agency.

THIS WARRANTY IS SUBJECT TO ALL LISTED CONDITIONS

Repairs performed under this warranty are to be performed by a Wells authorized service agency. Wells will not be responsible for charges incurred or service performed by non-authorized repair agencies. In all cases, the nearest Wells-authorized service agency must be used. Wells will be responsible for normal labor charges incurred in the repair or replacement of a warrantied product within 50 miles (80.5 km) of an authorized service agency. Time and expense charges for anything beyond that distance will be the responsibility of the owner. All labor will need to be performed during regular service hours. Any overtime premium will be charged to the owner. For all shipments outside the U.S.A. and Canada, please see the International Warranty for specific details. It is the responsibility of the owner to inspect and report any shipping damage claims, hidden or otherwise, promptly following delivery. No mileage or travel charges will be honored on any equipment that is deemed portable. In general, equipment with a cord and plug weighing less than 50 lb. (22.7 kg) is considered portable and should be taken or shipped to the closest authorized service agency, transportation prepaid.

CONTACT

Should you require any assistance regarding the operation or maintenance of any Wells Manufacturing; phone or email our service department. In all correspondence provide the model number and serial number of the unit needing service; include the voltage or gas type.

Normal Business Hours: 8:00 a.m. to 4:30 p.m. Central

Telephone: 800-264-7827 Tech Service Option 2

Email: TechService@partstown.com

www.Wells-Mfg.com

PRODUCTS	PARTS	LABOR
Universal Ventless Hoods (WVU)	1 year	1 year
Canopy Ventless Hoods (WVC)	1 year	1 year
"Cook and Hold" equipment (HW10, HWSMP, LLSC7, LLSC7WA, LLSC11, LLSC11WA)	1 years	1 year
Cast iron grates, burners and burner shields	1 year	
Original Wells parts sold to repair Wells Equipment	90 days	

WARRANTY EXCLUSIONS

THE FOLLOWING WILL NOT BE COVERED UNDER WARRANTY.

Wells' sole obligation under this warranty is limited to either repair or replacement parts, subject to the additional limitations detailed below. This warranty neither assumes nor authorizes any person to assume obligations other than those expressly covered by this warranty.

- Any product which has not been used, maintained, or installed in accordance with the directions published in the appropriate installation sheet and/or owner's manual, including incorrect gas or electrical connection. Wells is not liable for any unit which has been mishandled, abused, misapplied, subjected to harsh chemicals, modified by unauthorized personnel, damaged by flood, fire, or other acts of nature [or God], or which have an altered or missing serial number.
- Installation, labor, and job checkouts, calibration of heat controls, air and gas burner/bypass/pilot adjustments, gas or electrical system checks, voltage and phase conversions, cleaning of equipment, or seasoning of griddle surface.
- Replacement of fuses or resetting of circuit breakers, safety controls, or reset buttons.
- Replacement of broken or damaged glass components, quartz heating elements, and light bulbs.
- Labor charges for all removable and consumable parts in gas charbroilers and hotplates, including but not limited to burners, grates, and radiants.
- Any labor charges incurred by delays, waiting time, or operating restrictions that hinder a service technician's ability to perform service.
- Replacement of parts that fail or are damaged due to normal wear or labor for replacement of parts that can be replaced during a daily cleaning routine, such as but not limited to silicone belts, PTFE non-stick sheets, control labels, knobs, bulbs, fuses, quartz heating elements, baskets, racks, and grease drawers.
- Any economic loss of business or profits.
- Non-OEM parts. Use of non-OEM parts without Wells' approval will void the warranty.
- Units exceeding one [1] year from original installation date, or more than eighteen [18] months from original invoice date, whichever comes first.

ADDITIONAL WARRANTIES

- Specific/chain-specific equipment may have additional and/or extended warranties.

The foregoing warranty is in lieu of any and all other warranties expressed or implied and constitutes the entire warranty.

TABLE OF CONTENTS

WARRANTY	xi
SPECIFICATION	1
FEATURES & OPERATING CONTROLS	2
PRECAUTIONS & GENERAL INFORMATION	6
AGENCY LISTING INFORMATION	7
INSTALLATION	8
OPERATION	13
CLEANING INSTRUCTIONS	18
TROUBLESHOOTING SUGGESTIONS	22
MAINTENANCE INSTRUCTIONS	23
MAINTENANCE SCHEDULES	26
MSDS (Ansulex Low pH)	29
ANSUL® COMPONENTS	31
EXPLODED VIEW & PARTS LIST	32-41
WIRING DIAGRAM	42-44
PARTS & SERVICE	45
CUSTOMER SERVICE DATA	45

INTRODUCTION

Thank You for purchasing this Wells Manufacturing appliance.

Proper installation, professional operation and consistent maintenance of this appliance will ensure that it gives you the very best performance and a long, economical service life.

This manual contains the information needed to properly install this appliance, and to use and care for the appliance in a manner which will ensure its optimum performance.

SPECIFICATIONS

MODEL	VOLTS	WATTS	AMPS 3 ϕ			AMPS 1 ϕ
			L1	L2	L3	
WVOC-2HFG	208	12,300	37	36	33	59
	240	16,300	39	37	36	68
WVOC-2HSG	208	13,200	21	35	24	63.3
	240	17,600	23	38	24	73.1

	BACK	SIDE	BOTTOM	TOP
inches	n/a	6	6	19
millimeters	n/a	152	152	483

FEATURES & OPERATING CONTROLS

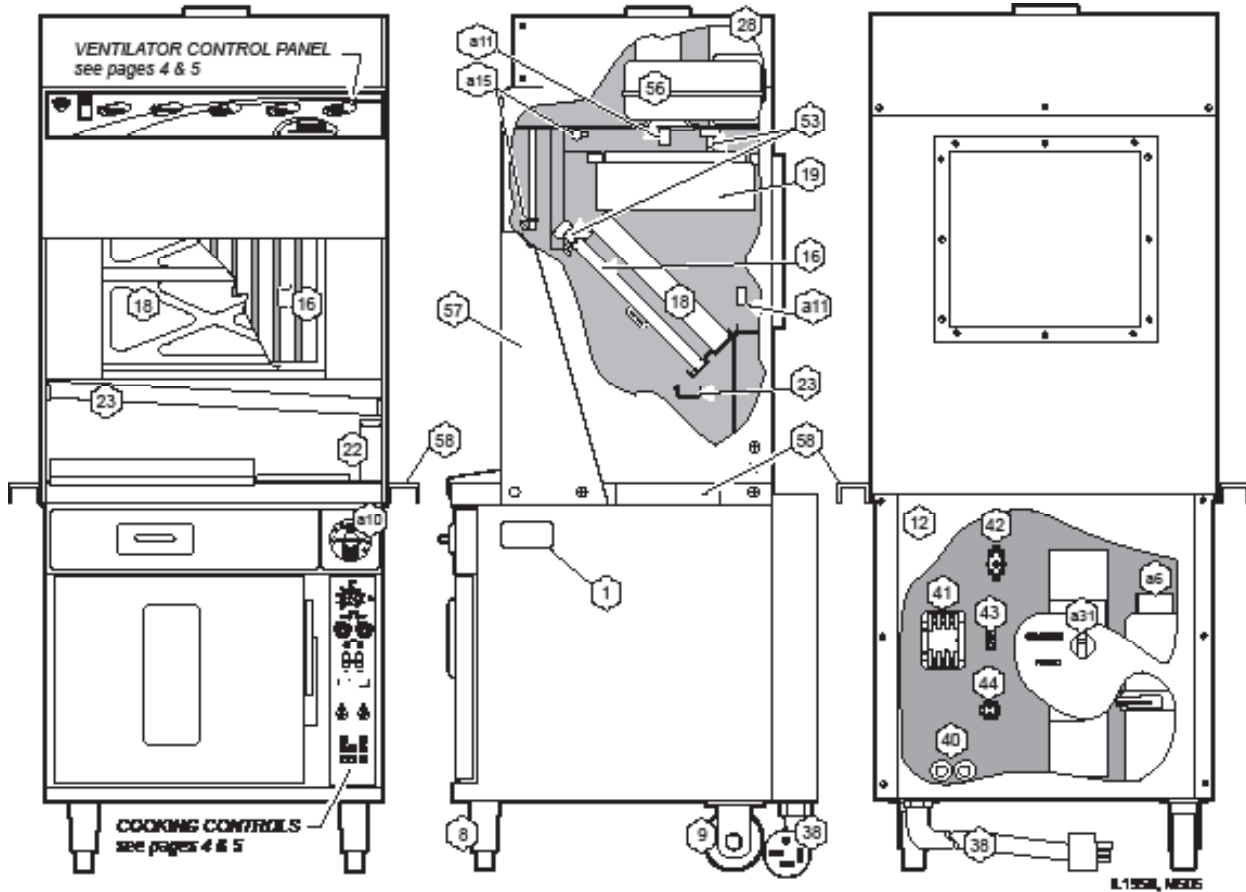


Fig. 1 Ventilator Section Features & Operating Controls

FEATURES & OPERATING CONTROLS (continued)

VENTILATOR SECTION

Features & Operating Controls		
ITEM	DESCRIPTION	COMMENT
1	NAMEPLATE	Gives manufacturer, make and model description. Also lists voltage and amperage data.
a6.	FIRE SUPPRESSION AGENT TANK (1.5 gal.)	Container for Ansul TM Low-pH liquid fire suppression liquid.
8	ADJUSTABLE (FRONT) LEG	Allows the unit to be leveled.
9	RIGID (REAR) CASTER	Allows the unit to be easily positioned by lifting the front of the unit slightly.
a10.	MANUAL PULL STATION	Provides a means of manual activation of the fire suppression system. PULL ONLY IN CASE OF FIRE!
a11.	FUSIBLE LINKS	Automatically activates fire suppression system in the event of fire on the cooktop.
12	LOWER REAR ACCESS PANEL	Allows access to Ansul [®] fire suppression agent tank (a6) and controls also access to main power contactor (41).
a15.	DISCHARGE NOZZLE	Fire suppression media discharges here (2 places).
16	GREASE BAFFLE	Extracts and drains most grease and moisture from the air flow.
18	PRE-FILTER ASSEMBLY	Comprises the PRE-FILTER FRAME and a replaceable PRE-FILTER. Stops larger particles of grease from reaching the FILTER PACK for reduced maintenance costs.
19	HEPA/CHARCOAL FILTER PACK	Stops most grease and smoke particles. Also assists in some cooking odor removal.
22	GREASE CUP	Collects grease/moisture drained from grease trough (23).
23	GREASE TROUGH	Directs grease/moisture removed by grease baffle to grease cup.
28	VENTILATOR EXHAUST DUCT	Exit point for ventilator airflow - on top left rear of unit. DO NOT BLOCK
a31.	STATUS INDICATOR	Displays status of fire suppression system (COCKED - FIRED) If FIRED, a buzzer will sound continuously.
38	POWER CORD	6' cord and cap. Plug for NEMA 15-60R (receptacle by user).
40	FUSES	Provide over-current protection.
41	POWER CONTACTOR	Energizes cooking appliances only while ventilator section is sensed as operational.
42	BUILDING FIRE ALARM RELAY	Reports fire alarm condition to building fire management system.
43	GROUND LUG	Ground wire of power cord connects here.
44	INTERLOCK TERMINAL	Provides connection for shut-down control by building fire management system.
53	FILTER INTERLOCK SWITCHES	Proper installation of grease baffle and filter pack close these switches in ventilator sensor circuit.
56	VENTILATOR FAN	Provides air movement for ventilation.
57	HOOD SIDE SHIELD	Required on left and right sides of hood. Factory installed.
58	SIDE SPACERS	Required to maintain 6" spacing from combustibles. Field installed.

FEATURES & OPERATING CONTROLS (continued)

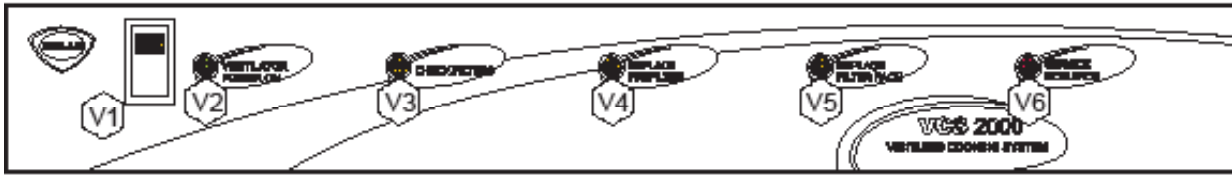


Fig. 2 Ventilator Section Controls & Indicator Lights

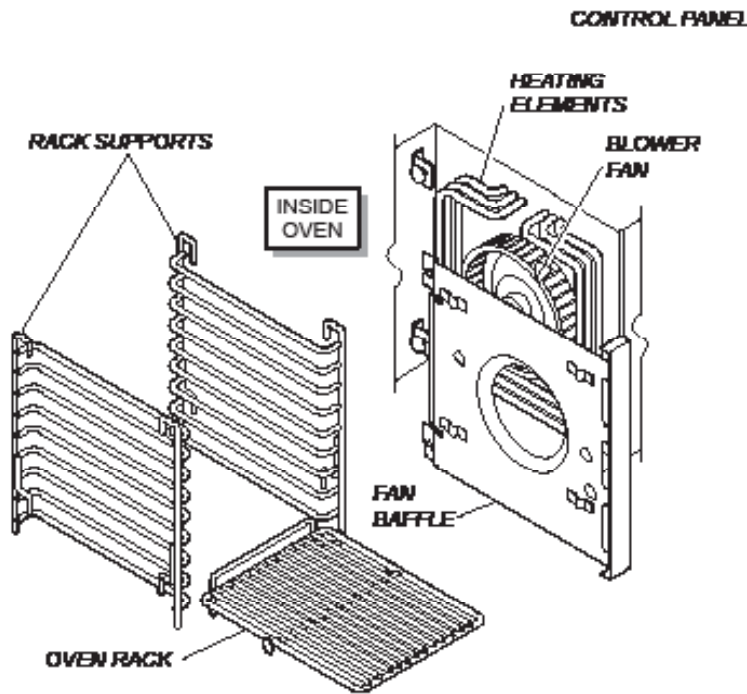
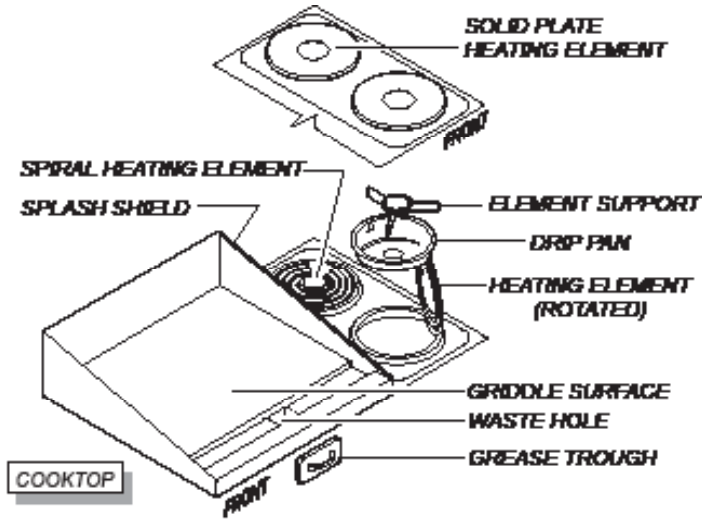


Fig. 3 Cooking Section

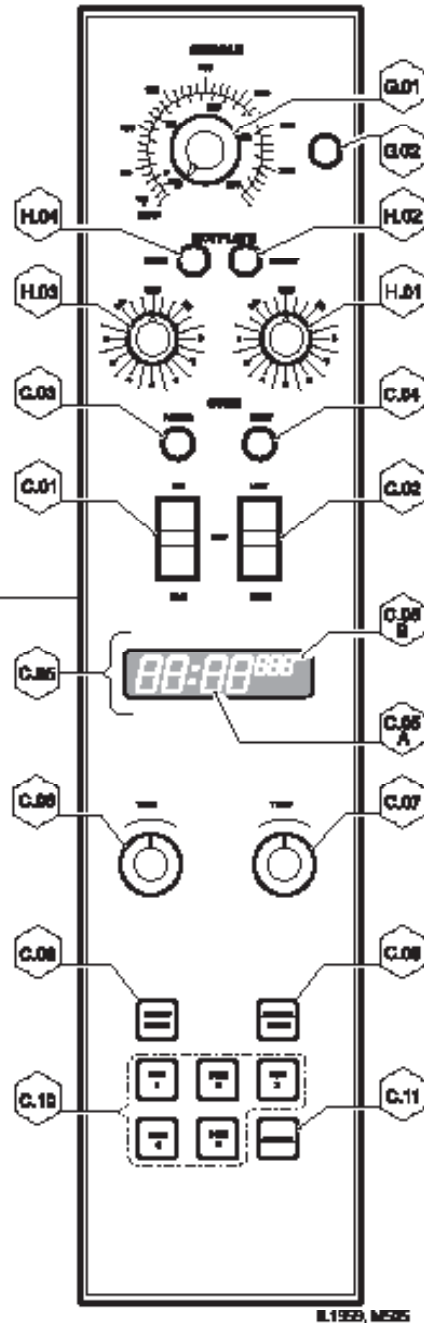


Fig. 4 Control Panel

FEATURES & OPERATING CONTROLS (continued)

VENTILATOR SECTION CONTROLS		
ITEM	DESCRIPTION	COMMENT
V1	POWER SWITCH	Energizes blower motor. If, after 10 seconds, proper conditions are met, cooking appliances are energized.
V2	POWER ON INDICATOR	GREEN. Glows when POWER switch is ON.
V3	CHECK FILTERS ALARM INDICATOR	AMBER. Glows if one or more filters are out of position. Check all filters and baffles for proper installation.
V4*	REPLACE PREFILTER ALARM INDICATOR	AMBER. Glows when PREFILTER is approaching the end of its service life and must soon be replaced.
V5*	REPLACE FILTER PACK ALARM INDICATOR	AMBER. Glows when FILTER PACK is approaching the end of its service life and must soon be replaced.
V6*	SERVICE REQUIRED ALARM INDICATOR	RED. Glows when PREFILTER and/or FILTER PACK has reached the end of its service life and is too loaded to allow sufficient air flow. Filter MUST be replaced. Appliance is SHUT DOWN until expended filters are replaced.

**See PRECAUTIONS & GENERAL INFORMATION, pages 6 & 7 for special procedures regarding prefilters and filter packs.*

COOKING APPLIANCE CONTROLS		
GRIDDLE		
G.01	GRIDDLE TEMPERATURE CONTROL	Thermostat control of griddle temperature
G.02	GRIDDLE HEAT INDICATOR	Glows when heating elements are energized.
HOTPLATE		
H.01	FRONT HOTPLATE TEMPERATURE CONTROL	Infinite switch control of temperature of front hotplate.
H.02	HOTPLATE "ON" INDICATOR	AMBER. Glows when front hotplate control is turned ON.
H.03	REAR HOTPLATE TEMPERATURE CONTROL	Infinite switch control of temperature of front hotplate.
H.04	HOTPLATE "ON" INDICATOR	AMBER. Glows when rear hotplate control is turned ON.
CONVECTION OVEN		
C.01	POWER-OFF-FAN SWITCH	Switch to turn oven ON, OFF, or select FAN only.
C.02	FAN LOW-OFF-HIGH SWITCH	Switch to turn fan ON, and to select fan speed.
C.03	OVEN POWER INDICATOR	AMBER. Glows when oven is turned ON.
C.04	HEAT INDICATOR	AMBER. Glows when heating elements are energized.
C.05	DIGITAL DISPLAY	Displays time and temperature information. A. Time remaining in program (minute : second) B. Programmed temperature (°F)
C.06	OVEN TIME CONTROL	Adjust programmed cooking time.
C.07	OVEN TEMP CONTROL	Adjust programmed cooking temperature.
C.08	START TIMER KEY	Begin a timed cook cycle.
C.09	ACTUAL TEMP KEY	Press to display current oven temperature.
C.10	PGM KEYS	Press to select pre-programmed time/temperature.
C.11	CANCEL KEY	Press to cancel a program in progress.

PRECAUTIONS AND GENERAL INFORMATION



WARNING: **SHOCK HAZARD**

All servicing requiring access to non-insulated electrical components must be performed by a factory authorized technician. DO NOT open any access panel which requires the use of tools. Failure to follow this warning can result in severe electrical shock.



CAUTION: **RISK OF DAMAGE**

DO NOT connect or energize this appliance until all installation instructions are read and followed. Damage to the appliance will result if these instructions are not followed.

NOTE: Fire suppression system and all associated components must only be serviced by an authorized Ansul® Distributor. All setup, charging, repair and/or adjustment of the fire suppression system must be performed by an Authorized Ansul® Distributor ONLY.

IMPORTANT: If a remote pull station is installed, both rear casters (9) must be replaced with legs to deter moving the unit. MOVING AN APPLIANCE WITH A REMOTE PULL STATION WILL DISCHARGE THE FIRE SUPPRESSION SYSTEM.

This Ventless Cooking System™ is designed to help reduce odor emissions, but will not completely eliminate cooking odors. Air exchange at the installation site must comply with the requirements of the local jurisdictional authority. To ensure that odors do not build-up, recommended minimum air exchange is 300 - 400 cfm of outside air into and out of the area where the unit is used. Recommend use of wall fan and wall switch, to be supplied by user.

This appliance is intended for use in commercial establishments only.

This appliance is intended to prepare food for human consumption. No other use is recommended or authorized by the manufacturer or its agents.

Operators of this appliance must be familiar with the appliance use, limitations and associated restrictions. Operating instructions must be read and understood by all persons using or installing this appliance.

Cleanliness of this appliance is essential to good sanitation. Read and follow all included cleaning instructions and schedules to ensure the safety of the food product.

Disconnect this appliance from electrical power before performing any maintenance or servicing.

Do not splash or pour water on, in or over any exposed element, control, control panel or wiring.

DO NOT submerge pre-filter or filter pack in water.

The technical content of this manual, including any wiring diagrams, schematics, parts breakdown illustrations and/or adjustment procedures, is intended for use by qualified technical personnel.

Any procedure which requires the use of tools must be performed by a qualified technician.

This manual is considered to be a permanent part of the appliance. This manual and all supplied instructions, diagrams, schematics, parts breakdown illustrations, notices and labels must remain with the appliance if it is sold or moved to another location.

This appliance is made in the USA. Unless otherwise noted, this appliance has American sizes on all hardware.

PRECAUTIONS AND GENERAL INFORMATION (continued)

OPERATIONAL NOTES:

REPLACE PREFILTER and REPLACE FILTER PACK indicator lights provide a timely warning that a system shut-down is imminent.

The actual time between the indicator light coming on and the loss of cooking appliance power will depend upon the cooking conditions.

Anytime a dirty PRE-FILTER is replaced, the system airflow will increase. If the condition of the FILTER PACK is marginal, the REPLACE FILTER PACK light could then come on. If this happens, a fresh FILTER PACK must be installed within a reasonably short time.

Use only genuine Wells replacement parts and filters, call (314) 678-6314 or your authorized Wells service agent. Parts supplied by others will void your warranty and may not provide safe operation.

Loss of airflow through the old filter pack will soon cause a system shut-down when the airflow falls below minimum vapor capture levels.

KEEP SPARE FILTER PACKS ON HAND.

IMPORTANT: If you decide to “get the most” out of the old filter pack, and continue to use it until a system shut-down happens, it is advisable to have a fresh filter pack readily at hand, and have someone available who is capable of replacing it. Otherwise, you may experience an extended down time, with consequent associated loss of business.

The manufacturer assumes no liability for loss of business due to a system shutdown caused by a dirty pre-filter and/or filter pack (i.e. red SERVICE REQUIRED light is on), when the user fails to have the proper replacement pre-filter and/or filter pack on hand.

The Ventless Cooking System™ hood is designed as part of a **WELLS cooking appliance** only. No other use of this product is authorized by the manufacturer or its agents. Wells Mfg. assumes no liability for the use of this equipment with products by any other manufacturer's, or for use of this equipment with any Wells Manufacturing product other than in factory certified applications.

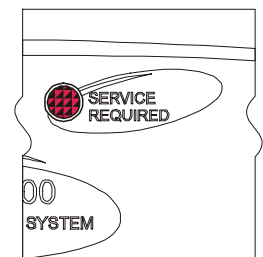
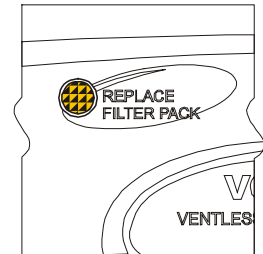
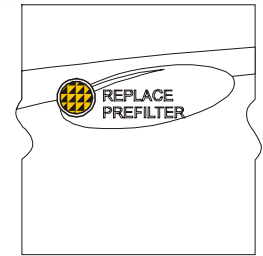


Fig. 5 Ventilator
Warning
Indicators

AGENCY LISTING INFORMATION

This appliance conforms to NSF Standard 4 for sanitation only if installed in accordance with the supplied *Installation Instructions* And operated and maintained in accordance with the instructions in this manual.

This appliance is  Listed under UL File E146882.



STD 4



E146882



UL710B CATEGORY KNKG
RECIRCULATING SYSTEM
E146887

INSTALLATION

NOTE: DO NOT discard the carton or other packing materials until you have inspected the appliance for hidden damage and tested it for proper operation. Refer to *SHIPPING DAMAGE CLAIM PROCEDURE* on the inside front cover of this manual.



WARNING: RISK OF INJURY

Installation procedures must be performed by a qualified technician with full knowledge of all applicable electrical codes. Failure can result in personal injury and property damage.



WARNING: FIRE HAZARD

Avoid storing flammable or combustible materials near the appliance.

UNPACKING & INSPECTION

Carefully remove the appliance from the carton. Remove all protective plastic film, packing materials and accessories from the Appliance before connecting electrical power or otherwise performing any installation procedure.

Carefully read all instructions in this manual packed with the appliance before starting any installation.

Read and understand all labels and diagrams attached to the appliance.

Carefully account for all components and accessories before discarding packing materials. Store these components in or near the appliance for later use. These items must be installed before operating the appliance.

1 ea. FIRE SUPPRESSION AGENT (**ANSULEX® Low pH**, 1.5 GAL.)
See Material Safety Data Sheet, page 26.

1 ea. FIRE SUPPRESSION MEDIA TANK

1 ea. FIRE SUPPRESSION TANK CHARGING CARTRIDGE

1 ea. GREASE BAFFLE

1 ea. FILTER PACK ASSEMBLY

1 ea. PRE-FILTER HOLDER with PRE-FILTER

1 ea. GREASE CUP

1 ea. GREASE TROUGH

2 ea. 6" SIDE SPACERS

1 ea. LITERATURE PACKAGE

Additionally:

1 ea. FAN BAFFLE

2 ea. RACK SUPPORTS

3 ea. CONVECTION OVEN RACKS

SETUP

Setup the appliance only on a firm level surface. Non-combustible material is recommended.

Refer to the *Installation Instruction Sheet* for required clearances. Maintain required clearances between the appliance and adjacent combustible surfaces. Verify 6" left and right side clearances to combustible construction. This appliance requires a **minimum of 8 ft (96")** (floor to overhead) to allow for adequate exhaust.

IMPORTANT: Provided 6" side spacers (item 58) must be installed on the appliance.

Factory installed side shields (item 57) are required.

Verify that the VENTILATOR HOOD ASSEMBLY is properly and securely assembled to the cooking appliance before beginning the installation procedure.

If a remote manual pull station is to be installed, replace the rear casters with legs.

Level the unit after it is in its final position. Using a spirit level, verify that the unit is level front-to-back and side-to-side.

INSTALLATION (continued)

SERVICE TECHNICIAN INSTALLATION NOTES

An Ansul® technician must charge and arm the fire suppression system before the ventilator blower will operate. See page 10.

Installation and start up must be performed by an Authorized Installation Company.


Installer must complete the WARRANTY REGISTRATION form, and record appliance installation particulars on the CUSTOMER SERVICE DATA form in this manual.

Certain codes require cooking equipment to be restrained with a RESTRAINT DEVICE. It is the RESPONSIBILITY OF THE INSTALLER to check with the AUTHORITY HAVING JURISDICTION, in order to ascertain the applicability of this requirement to THIS SPECIFIC EQUIPMENT INSTALLATION. Any restraint device must allow access to the back and sides of the unit to provide for servicing and maintenance, and must not interfere with the operation of the FIRE SUPPRESSION SYSTEM.

ELECTRICAL INSTALLATION

1. This appliance must be installed by a licensed electrician in accordance with all applicable codes and ordinances. Electrical connection terminal block and ground lug are accessible by removing the right side panel.
2. Refer to the nameplate on the right side of the appliance. Verify the ELECTRICAL SERVICE POWER. Voltage and phase must match the nameplate specifications, and available electrical service amperage must meet or exceed the specifications listed on page 1 Wiring must be no less than 4 AWG solid copper wire, rated for at least 90°C.

NOTE: Wire gauge, insulation type and temperature rating, as well as type, size and construction of conduit, must meet or exceed applicable specifications of local codes and of the National Electrical Code.

3. This appliance must be connected to a suitable building ground. The equipment ground connection is marked “”.
4. The appliance is shipped from the factory wired for 3-phase electrical service. Refer to the Wiring Diagram included with this appliance, and verify that field wiring conforms to this diagram.

IMPORTANT: This appliance is not approved for 1Ø operation. Conversion of this appliance to single-phase operation will void the warranty.

IMPORTANT!

Verify that this VENTILATOR and food cooking equipment installation is in compliance with the specifications listed in this manual, with local code requirements, and in accordance with N.F.P.A 96 (THE STANDARD FOR VENTILATION CONTROL AND FIRE PROTECTION OF COMMERCIAL COOKING OPERATIONS - current edition).

This is the responsibility of the installer



**DANGER
ELECTRIC
SHOCK
HAZARD**

ELECTRIC CONNECTIONS MUST BE MADE BY A LICENSED ELECTRICIAN. Electrical shock will cause death or serious injury.



**CAUTION:
ELECTRIC
SHOCK HAZARD**

The ground lug of this appliance must be connected to a suitable building ground. NOTE: This appliance requires a dedicated 60 Amp electrical branch circuit protection.

IMPORTANT:

Contact a licensed electrician to install and connect electrical power to the appliance.

IMPORTANT:

Damage due to being connected to the wrong voltage or phase is NOT covered by warranty.

INSTALLATION (continued)



THE FIRE SUPPRESSION SYSTEM MUST BE CHARGED AND CERTIFIED BY AN AUTHORIZED ANSUL® DISTRIBUTOR. NEVER ATTEMPT TO MODIFY OR BYPASS THE FIRE SUPPRESSION SYSTEM.

AN UNCONTROLLED FIRE CAN CAUSE SERIOUS INJURY, DEATH AND/OR PROPERTY LOSS.

IMPORTANT: The FIRE SUPPRESSION SYSTEM must be SET-UP and CHARGED by an authorized Ansul® distributor before the ventilator blower will operate.

NOTE:

If the fire suppression system is discharged, a buzzer will sound continuously and the cooking appliance will remain inoperable until the fire suppression system is serviced.

Recharging and resetting must be performed by an authorized Ansul® distributor ONLY.

Charging of the Ansul Fire Suppression system must be in accordance with Ansul® Design, Installation, Recharge and Maintenance Manual. (Ansul® #418087-05)

FIRE SUPPRESSION SYSTEM INSTALLATION

1. Any REMOTE MANUAL PULL STATION must be installed by an authorized ANSUL® distributor in accordance with the AUTHORITY HAVING JURISDICTION.

NOTE: If a REMOTE MANUAL PULL STATION is installed, moving the unit for servicing will cause the Ansul® system to discharge. In this case, the unit must only be installed with four fixed legs (i.e. remove rear casters and replace with legs). Additional legs may be ordered through an Authorized Wells Service Agency. See page 31.

2. The FIRE SUPPRESSION SYSTEM is comprised of a pressurized cartridge & container of liquid fire suppressant, with associated plumbing and controls. It utilizes factory installed FUSIBLE LINKS for automatic actuation, and a factory installed MANUAL PULL STATION for manual actuation. Two NOZZLES are used to disperse the liquid fire suppression media.

3. When the fire suppression system activates, the fire suppression media is discharged, both the cooking appliance and the ventilator are de-energized, and a buzzer will sound continuously. The fire suppression media will form an emulsion designed to both smother and cool the fire.

Call your Authorized Ansul® Distributor immediately for service.

NOTE: See page 26 for the Material Safety Data Sheet for the fire suppression agent.

4. The MANUAL PULL STATION and any similar REMOTE MANUAL PULL STATION will activate the fire suppression system when the ring on the pull station is pulled horizontally.

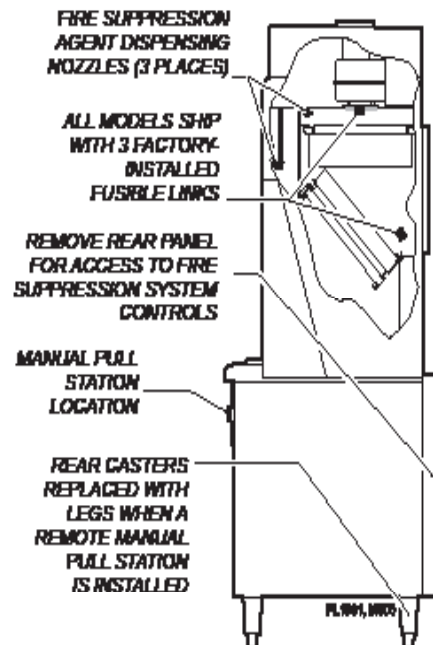


Fig. 6 Fire Suppression System

INSTALLATION (continued)

FILTERS INSTALLATION

1. **FILTER PACK:** Ships installed in the hood. If the FILTER PACK is not in position, the CHECK FILTERS indicator will light. If the FILTER PACK becomes clogged, the REPLACE FILTER PACK indicator will glow.

To install the FILTER PACK: Position the filter pack with the charcoal portion UP. Slide the filter pack toward the rear of the unit until it contacts the guides on the back panel. Push the filter pack UP into the upper opening until it rests firmly against the filter pack seal. When up in position, holder clips can be snapped over wall ledge on each side. To remove FILTER PACK: Grasp both holder clips and pull INWARD until the clips clear the sidewall ledge. Then, pull the filter pack down and out.

2. **PRE-FILTER:** The PRE-FILTER ships in the FILTER FRAME. If the PRE-FILTER is not in position, or if the PRE-FILTER is not in the FILTER FRAME, the CHECK FILTERS indicator will light. If the PRE-FILTER becomes clogged, the REPLACE PRE-FILTER indicator will glow.

To install the PRE-FILTER: Pay attention to the air flow markings. The AIR FLOW arrow will point away from the installer. Slide the assembly up into the front opening, behind the upper filter rail. While pressing slightly against the bottom of the assembly, pull the FILTER HANDLE toward you so as to engage the FILTER HOOK over the lip of the top filter rail. Then lower and seat the assembly into the top indentation of the lower filter rail.

3. **GREASE BAFFLE:** If the GREASE BAFFLE is not in place, the CHECK FILTERS indicator will glow. To install the GREASE BAFFLE: Slide the grease baffle up into the indentation of the upper filter rail, then lower and seat it into the bottom indentation of the lower filter rail. Pull toward you and downward to verify the GREASE BAFFLE is properly seated in the lower frame rail.

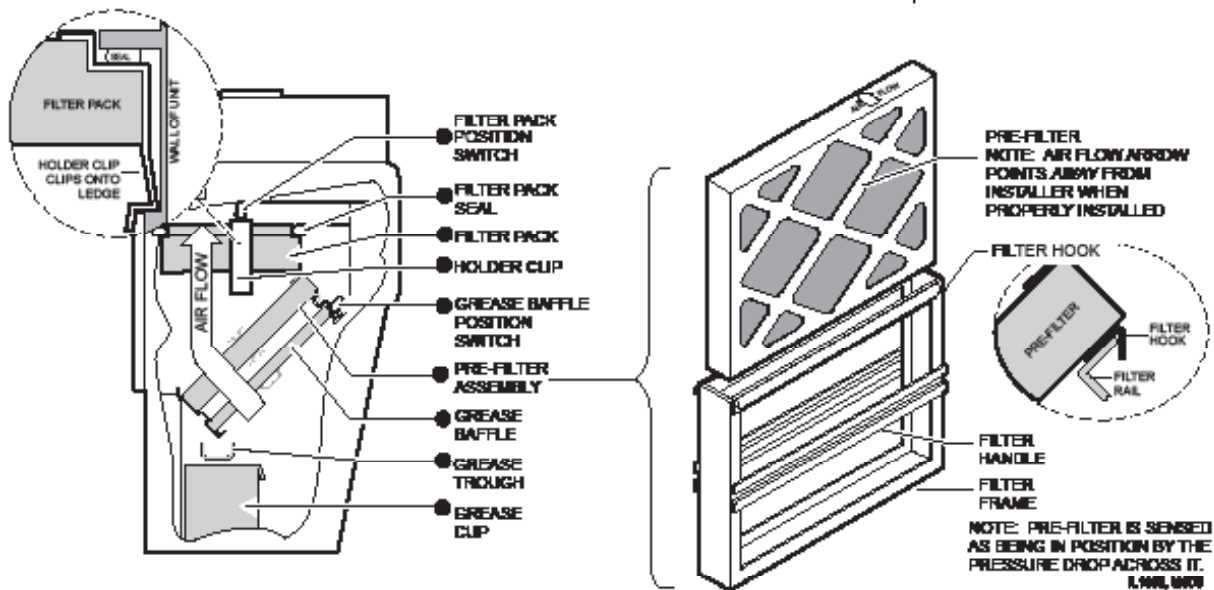
NOTE:

The GREASE BAFFLE and FILTER PACK activate mechanical switches, and the PRE-FILTER activates a vacuum switch, to verify that the filter elements are in their proper positions. All filter elements must be properly installed or the cooking appliances will not be energized. Also, the *CHECK FILTERS* indicator will light.

IMPORTANT:

The filter hook prevents the PRE-FILTER from being drawn in during operation. After installation, press against the top of the filter frame to verify proper engagement of the filter hook over the lip of the top filter rail.

Use only genuine Wells replacement parts and filters, call (800) 264-7827 or your authorized Wells service agent. Parts supplied by others will void your warranty and may not provide safe operation.



INSTALLATION (continued)



WARNING
SLIP / FALL
HAZARD
SPILLED OIL



DO NOT OPERATE UNLESS
THE GREASE CUP IS
INSTALLED.

Oil and moisture will drip onto
the floor and falls may result.
Death or serious injury may
result from slipping and falling



CAUTION:
BURN HAZARD



DO NOT OPERATE UNLESS
GREASE TROUGH IS
INSTALLED.

Moisture will drip into the hot
cooking surface, causing
splattering of hot liquids.
Serious injury can result from
contact with hot splatter.

GREASE TROUGH AND GREASE CUP INSTALLATION

1. Install the GREASE TROUGH into the brackets below the grease baffle.
2. Install the GREASE CUP on the right side of the unit, directly below the grease trough.

OVEN RACK INSTALLATION

1. Install fan baffle. Use care around the fan. The blades are sharp.
2. Install one rack support on the fan baffle, and one rack support on the left wall of the oven cavity.
3. Install racks as needed for the product being prepared.

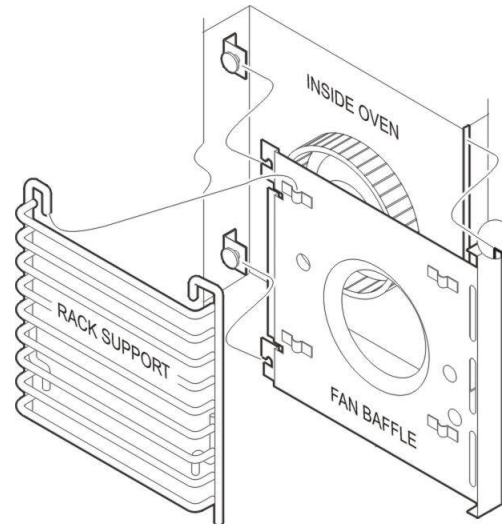


Fig. 8 Oven Rack Installation

OPERATION

VENTILATOR OPERATION

1. Press the VENTILATOR POWER switch to ON. The green VENTILATOR POWER light will glow and the blower fan will start. After a short time, if all filters are sensed as being in position and not clogged, the cooking appliance will be energized. During normal operation, the VENTILATOR POWER light will be the only light glowing on the upper control panel.
2. If the amber CHECK FILTER light glows, one or more filter elements is out of position. Check the GREASE BAFFLE, PRE-FILTER and FILTER PACK for proper installation in their respective positions. Grease baffle and filter pack position are sensed by mechanical switches. Pre-filter position is sensed by a vacuum switch.
3. When the amber REPLACE PRE-FILTER light glows, the pre-filter is nearing the end of its service life. Replace the disposable PRE-FILTER ELEMENT.
4. When the amber REPLACE FILTER PACK light illuminates, the HEPA / Charcoal filter pack is nearing the end of its service life. Replace the filter pack.

Note: The REPLACE PRE-FILTER and REPLACE FILTER PACK lights are a warning that the indicated filter is near the end of its service life. The appliance will continue to operate for a period of time after the light glows to allow continued operation through a peak period. However, the indicated filters must be replaced within a reasonably short time period or they will clog and shut down electrical power to the cooking appliance. The ventilator blower will continue to run.

5. When the red SERVICE REQUIRED light glows, either the pre-filter or filter pack (or both) is clogged and can no longer pass sufficient air to allow further operation. The ventilator fan continues to run, but the cooking appliance is shut down until the underlying clogged filter situation has been corrected. This can occur when neither CHANGE... FILTER indicator light is lit, if both pre-filter and filter pack are marginal. Replacing both the pre-filter and the filter pack will remedy the situation.

Note: Replacing the pre-filter, even though not very dirty, will often extend the service life of the more expensive filter pack.

Reset the unit by turning the VENTILATOR POWER switch to OFF, then back ON.

6. A failure of incoming electrical power will cause a shut down of the unit. After power is restored, reset the unit by turning the VENTILATOR POWER switch to OFF, then back ON.

NOTE: Oven, griddle and hotplate will not operate unless the fire suppression system is charged, and the ventilator section is operating.



CAUTION: HOT SURFACE

Exposed surfaces can be hot to the touch and may cause burns.

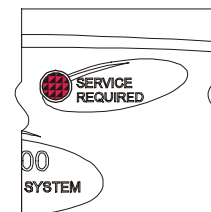
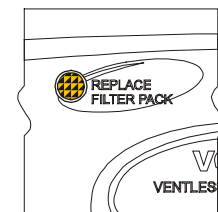
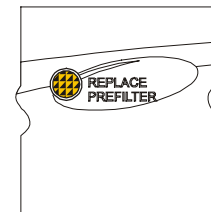
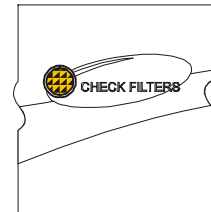
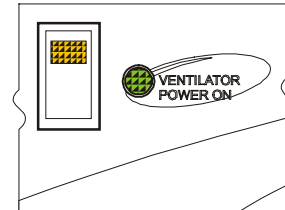


Fig. 9 Ventilator Indicator and Warning Lights

OPERATION (continued)

SUGGESTED COOKING TIMES

A. CONVECTION OVEN			
PRODUCT	TEMP °F	TIME MINUTES	NUMBER OF RACKS
BREAD PRODUCTS			
Hamburger Roll	300	15	5
Bread (1 lb loaves)	325	34	3 (12 loaves)
Roll	300	16	5 (60 rolls)
Baking Soda Biscuit	400	7	3
For best baking results, use rack positions 2, 5 & 8 (where rack position 1 is the top rack) Baking one pan: use rack 5; baking 2 pans: use racks 2 & 8.			
PASTRIES			
Sheet Cake (2½ lbs. per pan)	300	17	5
Frozen Fruit Pie (46oz.)	350	50	5 (10 pies)
Frozen Fruit Pie (26oz. - 8" dia.)	350	40	5 (15 pies)
Sugar Cookie	300	15	5
Danish Roll	350	12	5
Fruit Cake	275	75	3
Cake (1 lb.)	300	19	5 (10 cakes)
OTHER			
Melted Cheese Sandwich	400	8	5
Idaho Potato (120 potatoes)	450	40	5
Macaroni & Cheese	350	30	5
NOTE: "HIGH" fan speed provides the fastest cook time. "LOW" fan speed is used for foods which are sensitive to air currents, such as meringue pie.			

B. GRIDDLE		
PRODUCT	TEMP °F	TIME MINUTES
Sausage (Link or Patty)	350	3-4
Bacon	350	2-3
Canadian Bacon	350	2-3
Ham Steak	375	3-4
Minute Steak	400	3-4
Hamburger	350	3-4
Melted Cheese Sandwich	375	3-4
Hot Dog	325	2-3
French Toast	350	2-3
Pancakes	375	2
Eggs, Scrambled	300	1-2
Eggs, Hard Fried	300	3
Eggs, Sunny Side Up	300	2

OPERATION (continued)

CONVECTION OVEN OPERATING INSTRUCTIONS

A. MANUAL COOK MODE

1. Set the OVEN POWER SWITCH (C.01) to ON. The OVEN POWER ON INDICATOR (C.03) will glow when the switch is ON.
2. Rotate OVEN TEMPERATURE CONTROL knob (C.07) until the desired cooking temperature is displayed on the READOUT (C.05A). The oven will begin heating, and the temperature digits will flash, until the set temperature is reached.
3. Rotate OVEN TIME CONTROL knob (C.06) until the desired time is displayed on the READOUT. The digits and colon will flash, indicating that time has been set but the timer is not started.
4. Load product in the oven. Press START TIMER key (C.08). The timer digits count down and the colon (only) flashes during the timer period.
5. At the end of the timer period, an audible alarm will sound. Press CANCEL key (C.11) to silence the alarm.

SUGGESTION: For best baking results when making baking soda biscuits, use rack positions 2, 5 & 8 (where rack position 1 is the top rack). When baking one pan: use rack 5 (center rack); when baking 2 pans: use racks 2 & 8; when baking three pans: use racks 2, 5 & 8.

B. PROGRAM COOK MODE

1. Five (5) programmable keys (C.10) are provided for presetting frequently used time / temperature combinations. To set the program:
 - a. Press and hold the appropriate PGM key.
 - b. While holding the PGM key, turn the TIME and TEMP knobs until the desired time and temperature is displayed on the readout.
 - c. Release the PGM key to store the displayed time and temp in memory.
2. The program for any PGM key can be recalled by momentarily pressing that PGM key.
3. To start a programmed cook cycle, press the appropriate PGM key and the START TIME key. Once the cook cycle has started, the TIME and TEMP knobs are locked out to prevent accidental re-programming.
4. The actual oven temperature may be recalled at any time by pressing the ACTUAL TEMP key (C.09).
5. At the end of the timer period, an audible alarm will sound. Press CANCEL key (C.11) to silence the alarm.



CAUTION: HOT SURFACE

Exposed surfaces can be hot to the touch and may cause burns.



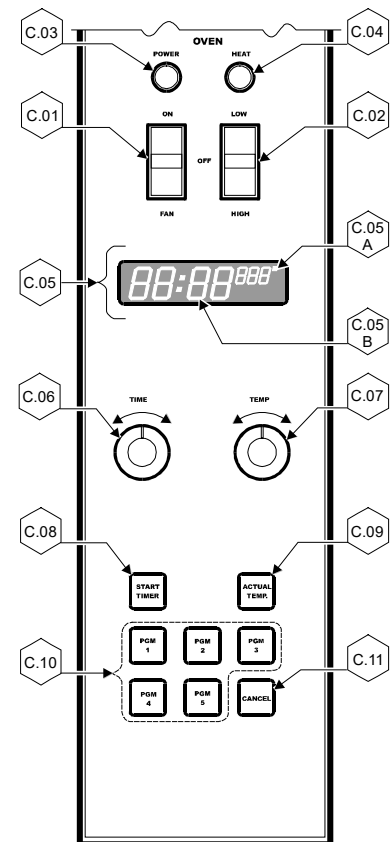
CAUTION: ELECTRIC SHOCK HAZARD

DO NOT splash or pour water onto control panel or wiring.



CAUTION: ELECTRIC SHOCK HAZARD

DO NOT operate the unit if the keypad is torn or broken.



OPERATION (continued)



CAUTION: HOT SURFACE

Exposed surfaces can be hot to the touch and may cause burns.



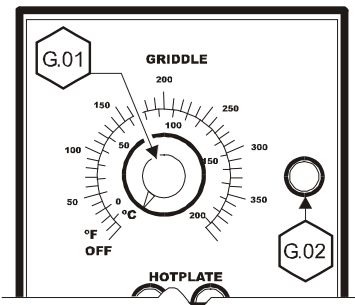
CAUTION: BURN HAZARD

Do not attempt to clean the oven until it has cooled to 150°F or less. See CLEANING INSTRUCTIONS, page 18



CAUTION: ELECTRICKSHOCK HAZARD

DO NOT splash or pour water onto control panel or wiring.



IMPORTANT:

To extend the life of your appliance and internal components, allow the oven, griddle and hotplates cool to 200°F or less before turning the ventilator off.

C. TEMPERATURE OFFSET MODE

1. A user preference offset mode is provided should the user feel the oven cooks too hot or too cold.
2. The OFFSET MODE can be used to offset the set / displayed temperature from the sensed temperature by as much as $\pm 35^\circ\text{F}$, in 5°F increments:
 - a. Rotate the TIME controller until the time digits on the display read "00:00".
 - b. Rotate the TEMP control until the temp digits display between 400°F and 500°F .
 - c. Press and hold the START TIMER key for five seconds.
 - d. Turn either the TIME or TEMP control until the desired offset is displayed.
 - e. Press the ACTUAL TEMP key to exit.

GRIDDLE OPERATING INSTRUCTIONS

A. SEASONING

The metal surface of the griddle has microscopic pores. It is important to fill the pores with cooking oil to provide a hard, non-stick cooking surface.

1. Turn GRIDDLE TEMPERATURE CONTROL (G.01) clockwise to 375°F . Allow the griddle to heat until the GRIDDLE HEAT ON INDICATOR (G.02) goes OFF, showing that the griddle is up to the set temperature.
2. Spread a light film of oil over the entire griddle surface.
3. Allow the oil film to "cook in" for 2 - 3 minutes, or until the oil smokes.
4. Wipe the griddle surface with a clean cloth to remove any standing oil.
5. For new griddles, repeat this procedure 2 - 3 times, until the griddle has a slick, clean surface.

B. COOKING WITH YOUR GRIDDLE

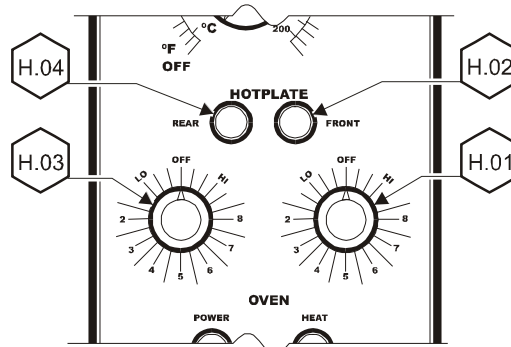
1. Turn the GRIDDLE TEMPERATURE CONTROL (G.01) to the desired cooking temperature. The solid-state thermostatic controller will automatically maintain set temperature.
2. The GRIDDLE HEAT ON INDICATOR (G.02) will glow when the heating elements are energized.

OPERATION (continued)

HOTPLATE OPERATING INSTRUCTIONS

A. COOKING WITH YOUR HOTPLATE

1. Each element is individually controlled by a TEMPERATURE CONTROL (H.01 and H.03). These are infinite switch controls which control based on electrical current draw, not the actual temperature of the hotplate surface.
2. Settings are OFF to HIGH.
3. The associated indicator will glow when the switch is in any position other than OFF.
4. When set to HIGH, the hotplate element can reach maximum temperature in approximately 10 minutes.
5. Once liquid begins to boil, reduce the setting to minimize power consumption and increase the useful life of the elements.
6. Use cooking pans which fully cover the elements for maximum efficiency. Maximum recommended pot diameter is 10 inches.



CAUTION: HOT SURFACE

Exposed surfaces can be hot to the touch and may cause burns.



CAUTION: ELECTRIC SHOCK HAZARD

DO NOT splash or pour water onto control panel or wiring.



CAUTION: ELECTRIC SHOCK HAZARD

Use extreme caution when using double broiler-type pans: DO NOT over fill the lower pan with water, which can cause an overflow. Any moisture splashed onto the hotplate top can leak into the lower areas of the oven causing a potential shock hazard and causing severe damage to the electronic controller.

NOTE: Damage caused by moisture leaking into the electronic controller is NOT covered by warranty.

IMPORTANT:

The dial markings are an INDICATION of temperature only. The temperature of the food product depends on many factors, including the size, shape and material of the food container, and the quantity and consistency of the food product.

CLEANING INSTRUCTIONS



CAUTION: CUT HAZARD

Use due care when cleaning near fan. Blades are sharp.



CAUTION: ELECTRIC SHOCK HAZARD

DO NOT splash or pour water onto control panel or wiring.



CAUTION: HEAT AND SMOKE HAZARD

Keep the ventilator fan running during any "hot surface" cleaning operation to avoid a build-up of heat and/or smoke.

IMPORTANT: Avoid Fire Suppression System discharge!

Keep the ventilator fan running during any "hot surface" cleaning operation to avoid melting a fusible link and causing a discharge of the fire suppression media.

IMPORTANT:

Always rub / wipe in the direction of the polish lines or grain of the metal.

CONVECTION OVEN CLEANING INSTRUCTIONS

PRECAUTIONS

Turn oven power switch to FAN
Allow oven to cool

FREQUENCY

As Noted

TOOLS

Mild Detergent, Soft Cloth or Sponge
Plastic Scouring Pad
Spray Bottle
Commercial Oven Cleaner/Degreaser

DAILY

1. Ventilator fan must be on. Turn oven power switch to FAN; remove racks and take to sink.
2. Let oven cool to 200°F. If oven is cooler than 200°F, raise temperature to no more than 200°F.
3. Mix oven cleaner/degreaser per manufacturer's directions. Spray oven cleaner/degreaser solution onto soiled surfaces; then, close oven door and let stand for 5 min.
4. Open door slowly to allow steam to escape and allow oven to cool completely.
5. Wipe oven surfaces with a soft cloth, rinse cloth as necessary.
6. Re-spray any remaining soiled areas and scrub with a plastic scouring pad.
7. Rinse all surfaces with a clean soft cloth dampened with clean water.
8. Wash, rinse, and sanitize oven racks and replace in oven.
9. Wipe exterior surfaces with a clean cloth dampened with clean water and a non-abrasive cleanser. Rinse by wiping with a clean cloth dampened with clean water.

HEAVY SOIL RECOVERY—As Needed

1. Turn oven power switch to FAN; remove racks and take to back sink.
2. Let oven cool to 200°F. If oven is cooler than 200°F, raise temperature to no more than 200°F.
3. Spray Oven Cleaner/Degreaser full strength onto soiled surfaces; then, close oven door and let stand for 5 min.
4. Open door slowly to allow steam to escape and allow oven to cool completely.
5. Wipe oven surfaces with a soft cloth, rinse cloth as necessary.
6. Re-spray any remaining soiled areas and scrub with a plastic scouring pad.
7. Rinse all surfaces with a clean soft cloth dampened with clean water.
8. Wash, rinse, and sanitize oven racks and replace in oven.

CLEANING INSTRUCTIONS (continued)

GRIDDLE CLEANING INSTRUCTIONS

PRECAUTIONS Griddle surfaces are HOT. Wear appropriate heat protective gloves, apron and goggles

FREQUENCY As Noted

TOOLS Scraper, Pumice Stone or Griddle Brick
Clean Cooking Oil
Mild Detergent, Soft Cloth or Sponge
Plastic Scouring Pad

1. To keep the griddle clean and food flavors at their best, scrape the griddle after preparing each order. Scrape excess food into the waste hole in the grease trough (front of the griddle cooking surface). After each 2 - 3 orders, wipe the griddle surface with a light coat of oil.
2. Clean the griddle surface daily, at a minimum:
 - a. Keep the ventilator fan ON.
 - b. Set griddle temperature control to 220°F. Allow the griddle temperature to drop to 220°F before proceeding.
 - c. Pour a small amount of water on the griddle surface and let it "sizzle".
 - d. Use a pumice stone or griddle brick to remove all remaining waste, and to clean the griddle surface down to bright metal. Wipe off any remaining powder residue.
 - e. Use a soft-bristled fiber brush in a circular motion to remove any remaining food particles.
 - f. Turn temperature control to OFF. Allow the griddle surface to cool, then wipe the surface with a clean cloth.
 - g. Dry the griddle surface thoroughly.
 - h. Season the cooking surface after each cleaning using the instructions on page 10.
3. At least once each day, the GREASE TROUGH must be thoroughly cleaned. Using a scraper, remove all grease and food waste from the grease trough and into the grease drawer.
4. After scraping all cooking waste from grease trough into GREASE DRAWER, take the grease drawer to kitchen cleaning area and properly dispose of all waste.
 - a. Clean drawer with hot water and a mild detergent.
 - b. Dry drawer thoroughly and reinstall in griddle.
5. GRIDDLE EXTERIOR:
 - a. Wipe down splash guards, griddle body and the grease trough with a cloth dampened with warm water and a mild detergent.
 - b. A plastic scouring pad and a non-abrasive cleanser may be used for hard-to-remove food particles.
 - c. Rinse thoroughly with clean water. DO NOT splash or pour water onto control panel or wiring.
 - d. Dry griddle with a soft, clean cloth.



CAUTION: HOT SURFACE

Exposed surfaces can be hot to the touch and may cause burns.



CAUTION: ELECTRIC SHOCK HAZARD

DO NOT splash or pour water onto control panel or wiring.



CAUTION: HEAT AND SMOKE HAZARD

Keep the ventilator fan running during any "hot surface" cleaning operation to avoid a build-up of heat and/or smoke.

IMPORTANT: Avoid Fire Suppression System discharge!

Keep the ventilator fan running during any "hot surface" cleaning operation to avoid melting a fusible link and causing a discharge of the fire suppression media.

IMPORTANT:

This appliance is not jet stream approved. Do not direct water jet or steam jet at this appliance, or at any control panel or wiring.

Do not splash or pour water on, in or over any controls, control panel or wiring.

CLEANING INSTRUCTIONS (continued)



CAUTION: BURN HAZARD

Turn off both hotplates and allow to cool before cleaning



CAUTION: HEAT AND SMOKE HAZARD

Keep the ventilator fan running during any “hot surface” cleaning operation to avoid a build-up of heat and/or smoke.

IMPORTANT: Avoid Fire Suppression System discharge!

Allow hotplates to cool to 200°F or less before turning the ventilator off to avoid melting a fusible link and causing a discharge of the fire suppression media.

IMPORTANT:

This appliance is not jet stream approved. Do not direct water jet or steam jet at this appliance, or at any control panel or wiring. Do not splash or pour water on, in or over any controls, control panel or wiring.

IMPORTANT:

Always wipe or rub in the direction of the polish lines or grain of the metal.

HOTPLATE CLEANING INSTRUCTIONS

PRECAUTIONS	Turn oven controls to OFF Allow hotplates to cool
FREQUENCY	Daily
TOOLS	Mild Detergent, Soft Cloth or Sponge Non-abrasive Cleaner, Plastic Scouring Pad

1. Turn both controls to OFF. Allow both hotplate elements to cool.
2. Wipe the entire hotplate top panel using a clean cloth or sponge, dampened with hot water and a mild detergent. For burned-on foods or sauce spillage, use a non-abrasive cleanser applied with a plastic scouring pad.
3. Rinse hotplates and top panel with a soft cloth dampened with clean water.

CLEANING INSTRUCTIONS (continued)

VENTILATOR SECTION CLEANING INSTRUCTIONS

PREPARATION

- Disconnect appliance from electric power
- Allow to cool before cleaning

FREQUENCY Weekly

TOOLS

- Warm water and a mild detergent
- Soft clean cloth or sponge
- Bristle brush
- Container for disposal of grease

CLEANING

- Disconnect appliance from electric power
- Allow to cool before cleaning
- Remove the grease baffle, pre-filter assembly, grease trough and grease cup. Empty the grease trough and grease cup.
- Remove the pre-filter from the filter frame. Wash and rinse the filter frame ONLY.
- Wash and rinse the grease baffle, grease trough and grease cup in a sink or dishwasher using mild detergent and warm water. Allow to air dry.
- Reinsert the pre-filter into the filter frame. Reinstall the pre-filter, grease baffle, grease trough and grease cup.

Procedure is complete



**CAUTION:
ELECTRIC
SHOCK
HAZARD**

Disconnect appliance from electric power before cleaning.



**CAUTION:
HOT SURFACE**

Exposed surfaces can be hot to the touch and may cause burns. Allow appliance to cool before cleaning.

IMPORTANT:

Never allow PRE-FILTER or FILTER PACK to get wet. DO NOT wash either of these two filters. Washing these filters will ruin them and cause the appliance to shut-down.

IMPORTANT:

DO NOT spill or pour water into controls, control panel, wiring or coil-type hotplate elements. Damage to internal components will occur. Damage to internal components from water damage is **not** covered by warranty.

IMPORTANT:

This appliance is not jet stream approved. Do not direct water jet or steam jet at this appliance, or at any control panel or wiring. Do not splash or pour water on, in or over any controls, control panel or wiring.

IMPORTANT:

DO NOT use steel wool or metal implements to clean drawers or cabinet surfaces.

TROUBLESHOOTING SUGGESTIONS

A. NO PART OF THE APPLIANCE WILL HEAT

1. Verify that appropriate cooking controls are ON.
2. Check electrical supply. Make sure service breaker is ON.
3. Make sure all filters are properly installed, and that no filter warning lights are lit.
4. Possible improper service wiring: Have a licensed electrician verify that all three legs of the 3Ø service are properly connected (i.e. Leg 1 to L1, Leg 2 to L2, Leg 3 to L3), and that all three legs are of the proper voltage and phase.
5. Ansul® fire suppression system not charged.

B. GRIDDLE WILL NOT HEAT

1. Verify that temperature control is set to the desired temperature.
2. Possible internal component damage: Have unit serviced by an Authorized Wells Service Agency.

C. HOTPLATE WILL NOT HEAT

1. Verify that associated temperature control is set to the desired temperature.
2. Possible internal component damage: Have unit serviced by an Authorized Wells Service Agency.

D. CONVECTION OVEN WILL NOT HEAT

See Error Codes diagram at right

1. Verify that the oven switch is ON and that the temperature control is set to the desired temperature.
2. Verify that the door is closed.
3. Hi-Limit control may have tripped: Allow unit to cool; Hi-Limit will reset automatically.
4. Blown fuse(s) (item 40): Correct cause of over-current and replace fuses with fuses having the same configuration and ratings.
5. Possible internal component damage: Have unit serviced by an Authorized Wells Service Agency.

E. CONVECTION OVEN FAN WILL NOT RUN

1. Verify that the oven switch is set to ON or FAN.
2. Verify that the fan switch is set to either HIGH or LOW.
3. Hi-Limit control may have tripped: Allow unit to cool; Hi-Limit will reset automatically.
4. Blown fuse(s): Correct cause of over-current and replace fuses with fuses having the same configuration and ratings.
5. Possible internal component damage: Have unit serviced by an Authorized Wells Service Agency.



CAUTION: ELECTRIC SHOCK HAZARD

Removal of any cabinet panel will result in exposed electrical circuits. Any procedure requiring the removal of any cabinet panel must be performed by a qualified technician only.

CONVECTION OVEN CONTROLLER ERROR CODES

- F1 Relay closed or relay ohms low when not cooking
- F2 Actual temperature 60°F (±35°F) greater than T-SET MAX
- F3 Open temperature sensor
- F4 Shorted temperature sensor
- F5 Relay open or relay ohms high when cooking
- F6 No 60 Hz (Cycles per second other than 60 Hz detected)

Have unit serviced by an Authorized Wells Service Agency.

NOTE: There are no user serviceable components in the appliance. In all cases of damage or component malfunction, contact your Authorized Wells Service Agency for repairs.

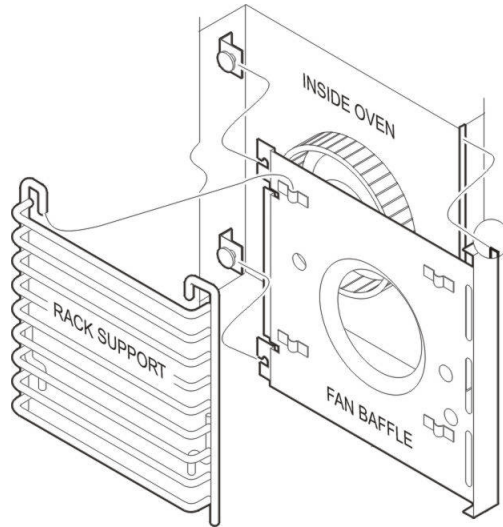
MAINTENANCE INSTRUCTIONS

FAN CLEANING

PRECAUTIONS: Disconnect power at the circuit breaker.
Allow the oven to cool.

FREQUENCY: Monthly, at a Minimum; or, As Needed

TOOLS: Moist Cloth or Sponges
Bristle Brush



1. Disconnect power at the circuit breaker. Allow the oven to cool.
2. Remove RACKS by pulling toward the front. Lift to clear the stop pin. Remove left and right RACK SUPPORTS by lifting.
3. Remove BAFFLE by lifting the rear slightly and pulling straight out.
4. Brush fan wheel and wipe it with a moist cloth. Sponge out all loose particles.
5. Reassemble, paying particular attention that the lip on the right side of the fan baffle is fully seated in the slot in the edge of the oven cavity.



**CAUTION:
RISK OF
INJURY**

Disconnect appliance from electrical power before performing any of these procedures.



**CAUTION:
CUT HAZARD**

Use due care when cleaning fan. Blades are sharp.

MAINTENANCE INSTRUCTIONS (continued)



CAUTION: BURN HAZARD

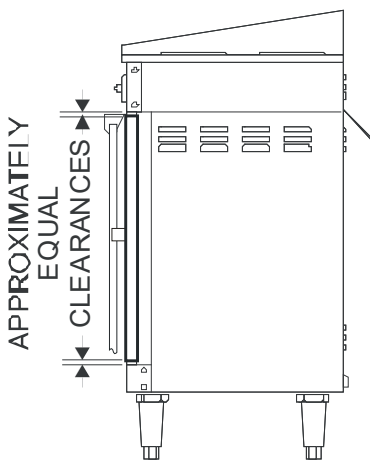
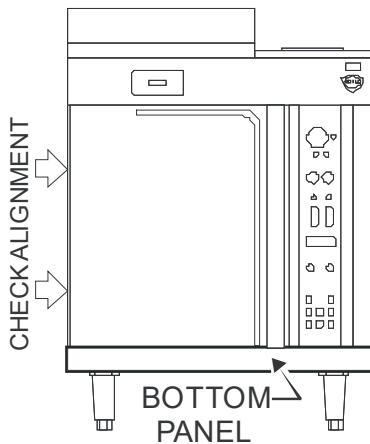
Allow appliance to cool completely before adjusting.

HINGE ADJUSTMENT

PRECAUTIONS: None

FREQUENCY: Monthly, at a Minimum; or, As Needed

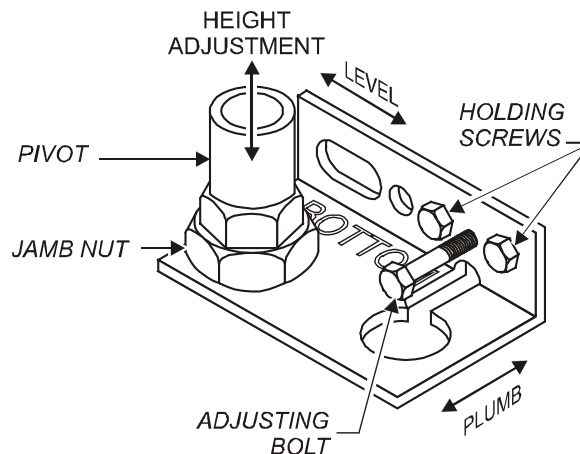
TOOLS: Phillips (+) Screwdriver
7/16" Nut Driver
7/8" and 1-1/8" Wrenches



Hinge Adjustment

THE FOLLOWING PROCEDURE IS TO BE PERFORMED BY QUALIFIED PERSONNEL ONLY

1. Remove bottom panel to access pivot.



2. Gap between top of door and frame, and between bottom of door and frame must be approximately equal
Adjust height of door by loosening jamb nut, then turning pivot on its screw mounting. Clockwise lowers the door height. Re-tighten jamb nut.
3. Gap between left side of door and frame must be the same from top to bottom
Adjust door for plumb by loosening holding screws. Turn adjusting bolt to increase or decrease gap at bottom. Clockwise increases gap. Re-tighten holding screws.
4. Gap between top of door and frame must be the same from side to side
Adjust door for level by loosening holding screws, then raising or lowering latch-end of door until it is level. Re-tighten holding screws.
5. Reinstall bottom panel.
Procedure is complete

MAINTENANCE INSTRUCTIONS (continued)

TEMPERATURE CALIBRATION

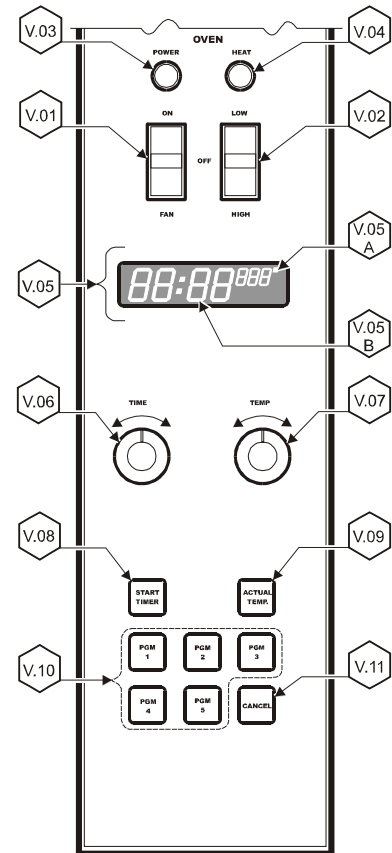
TOOLS: Digital Pyrometer with Oven Probe, Protective Gloves

1. With the oven empty, clamp the thermocouple sensor in the center of the middle rack:
 - a. Pass the thermocouple sensor wires through the corner of the door gasket and close the door.
 - b. Plug the sensor into the Pyrometer.
2. Turn the OVEN POWER (V.01) switch to ON. Turn the FAN switch (V.02) to HI.
 - a. Rotate the TIME control (V.06) until the time digits (V.05B) on the display read "60:00".
 - b. Rotate the TEMP control (V.07) until the temp digits (V.05A) display 375°.
 - c. Press the START TIMER key (V.08).
3. Allow the oven to heat for 45 minutes. If, after 45 minutes, the temperature display reads between 370° and 380°, the calibration is satisfactory. Otherwise:
 - a. Rotate the TIME controller until the time digits (V.05B) on the display read "00:00".
 - b. Rotate the TEMP control until the temp digits (V.05A) display between 400° and 500°.
 - c. Press and hold the START TIMER (V.08) key for five seconds.
 - d. Turn either the TIME or TEMP control until the desired offset is displayed.
 - e. Press the ACTUAL TEMP (V.09) key to exit. Procedure is complete.



**CAUTION:
HOT SURFACE**

Exposed surfaces can be hot to the touch and may cause burns.



MAINTENANCE SCHEDULES

USE AND MAINTENANCE SHALL BE IN ACCORDANCE WITH THE STANDARD FOR VENTILATION CONTROL AND FIRE PROTECTION OF COMMERCIAL COOKING OPERATIONS, N.F.P.A 17A & N.F.P.A. 96 (current editions).



DANGER FIRE HAZARD

FAILURE TO PROPERLY CLEAN AND MAINTAIN THIS EQUIPMENT CAN

CAUSE A FIRE. AN UNCONTROLLED FIRE CAN CAUSE SERIOUS INJURY, DEATH AND/OR PROPERTY LOSS.

NOTE: A signed and dated VENTILATOR HOOD MAINTENANCE LOG must be maintained on the premises, and shall be available for inspection by the authority having jurisdiction. See pages 27 & 28.

IMPORTANT: Parts used for the Ansul® fire suppression system are not serviceable by the owner / operator. Procedures for servicing fire suppression equipment are described in:

ANSUL® R-102 SYSTEM DESIGN, INSTALLATION, RECHARGE AND MAINTENANCE MANUAL (Ansul® #418087-05).

1. 6-MONTH MAINTENANCE (MUST BE PERFORMED BY AN AUTHORIZED ANSUL® DISTRIBUTOR ONLY):
 - a. Inspect and test total operation including FIRE DAMPER and all SAFETY INTERLOCKS.
 - b. All FIRE SUPPRESSION SYSTEM actuation components including MANUAL PULL STATION and any REMOTE MANUAL PULL STATION must be inspected for proper operation in accordance with the maintenance schedule published in ANSUL® R-102 SYSTEM DESIGN, INSTALLATION, RECHARGE AND MAINTENANCE MANUAL (Ansul® #418087-05).
 - c. The FIRE SUPPRESSION SYSTEM FUSIBLE LINKS must be inspected. NOZZLES and MANUAL PULL STATION must be cleaned in accordance with ANSUL® R-102 SYSTEM DESIGN, INSTALLATION, RECHARGE AND MAINTENANCE MANUAL (Ansul® #418087-05).
 - d. The FIRE SUPPRESSION AGENT TANK, PIPING and FLEXIBLE TUBING must be INSPECTED.
2. 12-YEAR MAINTENANCE: (MUST BE PERFORMED BY AN AUTHORIZED ANSUL® DISTRIBUTOR ONLY):
 - a. The FIRE SUPPRESSION AGENT TANK and ¼" FLEX HOSE must be HYDROSTATICALLY TESTED, and the FIREEXTINGUISHING AGENT must be REPLACED in accordance with the maintenance schedule published in ANSUL® R-102 SYSTEM (STANDARD UL 300 LISTED).
 - b. The FUSIBLE LINKS in plenum and damper must be REPLACED. This maintenance to be performed by qualified Ansul® service personnel only.

Inspection shall be conducted on a monthly basis in accordance with the manufacturer's Operation Manual. At a minimum, this inspection shall include verification of the following:

WELLS BLOOMFIELD, LLC
VENTILATOR HOOD OWNERS MONTHLY INSPECTION LOG

OPERATION	AGENT DATE											
Extinguishing system components: In proper place and (visually in good order)												
Manual pull station actuators for fire suppression system are obstructed												
The maintenance log is in place and up to date												
No obvious physical damage or condition exists that might prevent operation of the fire suppression system												
The nozzle blow-off caps are in place and in good condition												
The hood, duct and protection cooling appliance have not been replaced, modified or relocated												
Clean plenum GREASE BAFFLE and BLOWER (max. interval 3 months)												
Change PRE-FILTER and FILTER PACK (as required)												

This MAINTENANCE LOG is to be performed and completed by a trained technician who has completed the instruction necessary to perform the maintenance and recharge services.

**WELLS BLOOMFIELD, LLC
VENTILATOR HOOD MAINTENANCE LOG**

OPERATION		AGENT / DATE																		
Clean and inspect discharge nozzle in plenum BEFORE filters Max Interval: 6 months																				
Clean and inspect discharge nozzle in plenum AFTER filters Max Interval: 6 months																				
Inspect fire suppression lines filter, all releasing devices for solution, fire suppression tank liquid level Max Interval: 6 months (discharge of fire suppressant not a part of this test)																				
Inspect fire suppression hoses, plumbing and tank for obstructions and any conditions such as, but not limited to, corrosion and pitting. Max Interval: 6 months																				
Inspect and test all filter inlets Max Interval: 6 months																				
Replace two (2) fire suppression links of cooking appliance: each link is rated @ 165°F	Log TEMP																			
	Log Mfg DATE Stamp																			
Max Interval: 12 months	Log TEMP																			
Replace fire damper fusible link: rated @ 280°F	Log Mfg DATE Stamp																			
	Max interval: 12 months																			

THIS MAINTENANCE LOG MUST BE KEPT IN A PROTECTIVE COVER PERMANENTLY ATTACHED TO THE APPLIANCE
Log all repairs and recommendations on reverse side. Any repairs, other than replacement of factory authorized parts, to the fire suppression plumbing system must be subject to hydrostatic pressure testing.

ANSULEX Low pH

QUICK IDENTIFIER (In Plant Common Name)

Manufacturer's Name:	ANSUL INCORPORATED	Emergency Telephone No.:	CHEMTREC (800) 424-9300 or (703) 527-3887
Address:	One Stanton Street, Marinette, WI 54143-2542	Other Information Calls:	(715) 735-7411
Prepared By:	Safety and Health Department	Date Prepared:	February 1, 1999

SECTION 1 - IDENTITY

Common Name (Used on Label): (Trade Name and Synonyms)	ANSULEX Low pH Liquid Fire Suppressant	CAS No.:	N/A
Chemical Name:	N/A This is a Mixture	Chemical Family:	Mixture
Formula:	N/A		

SECTION 2 - INGREDIENTS

PART A - HAZARDOUS INGREDIENTS				
Principal Hazardous Component(s) (chemical and common name(s)):	Wt%	CAS No.	ACGIH TLV	Acute Toxicity Data
None	N/A	N/A	N/A	N/A
PART B - OTHER INGREDIENTS				
Other Component(s) (chemical and common name(s)):	Wt%	CAS No.	ACGIH TLV	Acute Toxicity Data
Proprietary Mixture of Organic and Inorganic Salts	48.0 - 50.0	N/A	N/E	NDA
Phosphoric Acid	0.2	7664-38-2	N/E	NDA
EDTA	0.65	64--02-8	N/E	NDA
Yellow-Green Fluorescent Dye	0.011	518-47-8	N/E	Oral LD ₅₀ (rat) 6800 mg/kg
Water	Approx. 50.0	7732-18-5	N/E	NDA

SECTION 3 - PHYSICAL AND CHEMICAL CHARACTERISTICS (Fire and Explosion Data)

Boiling Point:	113°C	Specific Gravity (H ₂ O=1):	1.33	Vapor Pressure (mm Hg):	Not Determined
Percent Volatile by Volume (%):	Approx. 50.0	Vapor Density: (Air = 1):	1.03	Evaporation Rate: (Butyl Acetate=1):	Approx. 0.005
Solubility in Water:	100%	Reactivity in Water:	Mild exothermic reaction		
Appearance and Odor:	Fluorescent Yellow Colored Liquid, Mild Odor				
Flash Point:	None to boiling	Flammable Limits in Air % by Volume:	N/A	Extinguisher Media:	N/A
Auto-Ignition Temperature:	N/A				
Special Fire Fighting Procedures:	NONE - THIS IS AN EXTINGUISHING AGENT				
Unusual Fire and Explosion Hazards:	None				

SECTION 4 - PHYSICAL HAZARDS

Stability:	Unstable <input type="checkbox"/> Stable <input checked="" type="checkbox"/>	Conditions to Avoid:	N/A
Incompatibility (Materials to Avoid):	Reactive Metals, ClF ₃ , electrically energized equipment, any material reactive with water.		
Hazardous Decomposition Products:	Not established, acid fumes.		
Hazardous Polymerization:	May Occur <input type="checkbox"/> Will Not Occur <input checked="" type="checkbox"/>	Conditions to Avoid:	N/A

505 p/n 2M-304963 Owners Manual WVOC-2 Combination Cook Center

SECTION 5 - HEALTH HAZARDS

ANSULEX Low pH (continued)

Threshold Limit Value:	None Established		
Routes of Entry: Eye Contact:	Irritant		
Skin Contact:	Irritant		
Inhalation:	Not an expected route of entry. Can be irritating to mucous membranes.		
Ingestion:	Irritating to mucous membranes. Acute Oral LD ₅₀ (Sprague-Dawley rats) 825.5mg/kg.		
Signs and Symptoms:	Acute Exposure: Material irritates skin, eyes, and mucous membranes. Chronic Exposure: None known.		
Medical Conditions Generally Aggravated by Exposure:	None known.		
Chemical Listed as Carcinogen or Potential:	National Toxicology Program: Yes <input type="checkbox"/> No <input checked="" type="checkbox"/>	I.A.R.C Monographs: Yes <input type="checkbox"/> No <input checked="" type="checkbox"/>	OSHA Yes <input type="checkbox"/> No <input checked="" type="checkbox"/>

SECTION 6 - EMERGENCY AND FIRST AID PROCEDURES

Eye Contact:	Flush and irrigate with water for 15 minutes while holding eyelids open. If irritation persists, seek medical attention.
Skin Contact:	Wash thoroughly with soap and water. If irritation persists, seek medical attention.
Inhalation:	Fresh air if symptoms occur. If irritation persists, seek medical attention.
Ingestion:	Dilute by drinking large quantities of water.

SECTION 7 - SPECIAL PROTECTION INFORMATION

Respiratory Protection (Specify Type):	N/A		
Ventilation:	Local Exhaust: N/A	Mechanical (General):	N/A
Protective Gloves:	Rubber gloves for spill/leak	Eye Protection:	Chemical goggles recommended during spill/leak procedures.
Other Protective Clothing or Equipment:	Eye wash and safety showers are good safety practice.		

SECTION 8 - SPECIAL PRECAUTIONS AND SPILL/LEAK PROCEDURES

Precautions to be taken in Handling and Storage:	Store in original container. Keep tightly closed. Keep separate from acid.
Other Precautions:	See incompatibility information in Section 4.
Steps to be taken in Case Material is Released or Spilled:	Stop leaks. Contain spills. Remove as much as possible. Place in closed container for proper disposal Wash spill area with large amounts of water to remove traces and neutralize.
Waste Disposal Methods:	Dispose of in compliance with local, state and federal regulations.

HAZARDOUS MATERIAL IDENTIFICATION SYSTEM

HAZARD INDEX	
4 SEVERE HAZARD	0 HEALTH
3 SERIOUS HAZARD	
2 MODERATE HAZARD	0 FLAMMABILITY
1 SLIGHT HAZARD	
0 MINIMAL HAZARD	0 REACTIVITY

N/A = Not Applicable NDA = No Data Available N/E = Not Established

ANSUL and ANSULEX are registered trademarks.

Internet Address: <http://www.ansul.com>

ANSUL INCORPORATED, ONE STANTON STREET, MARINETTE, WI 54143-2542

Form No. F-90160-6

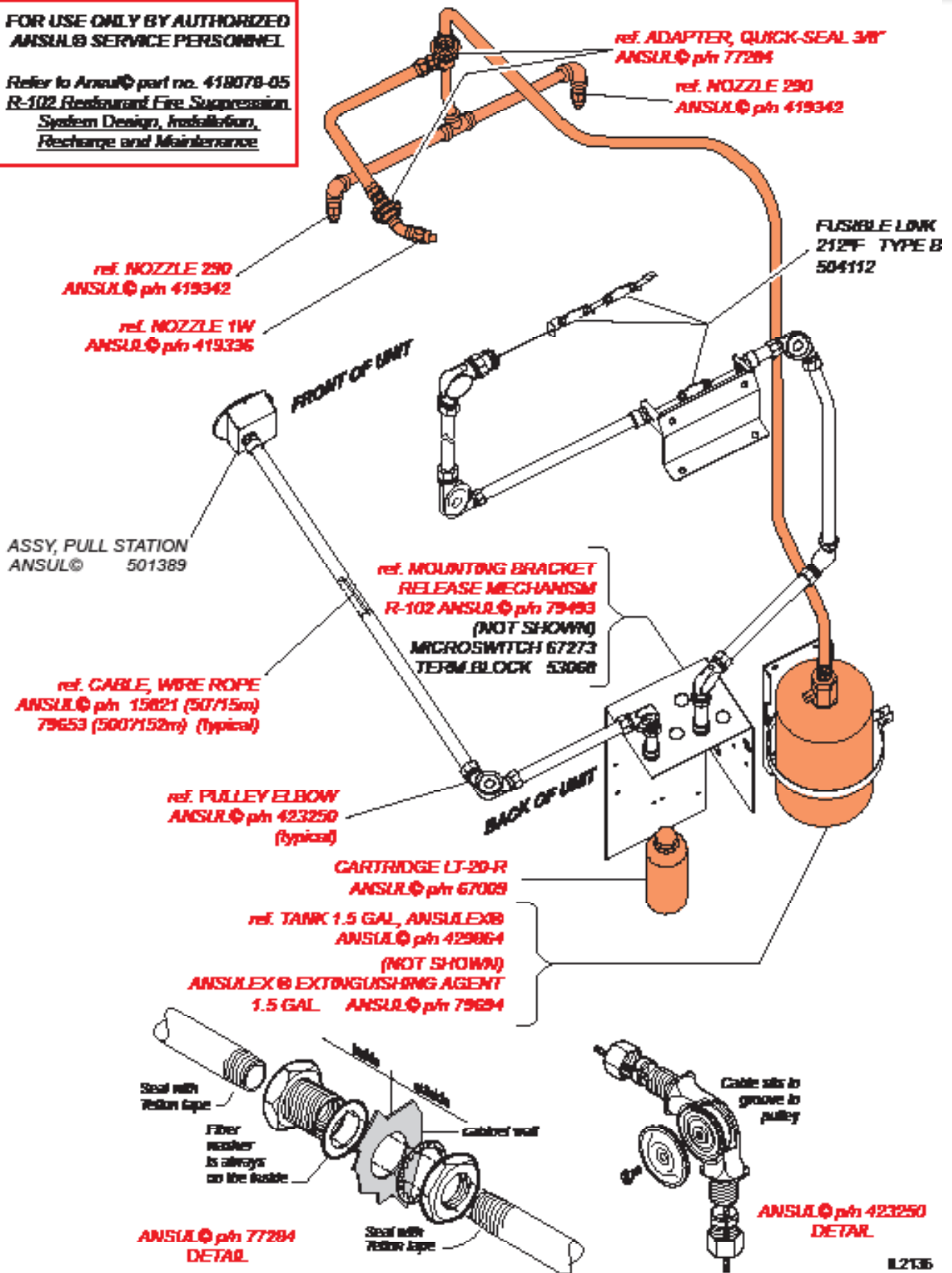
©1999 Ansul Incorporated

505 p/n 2M-304963 Owners Manual WVOC-2 Combination Cook Center

ANSUL® SYSTEM COMPONENTS

**FOR USE ONLY BY AUTHORIZED
ANSUL® SERVICE PERSONNEL**

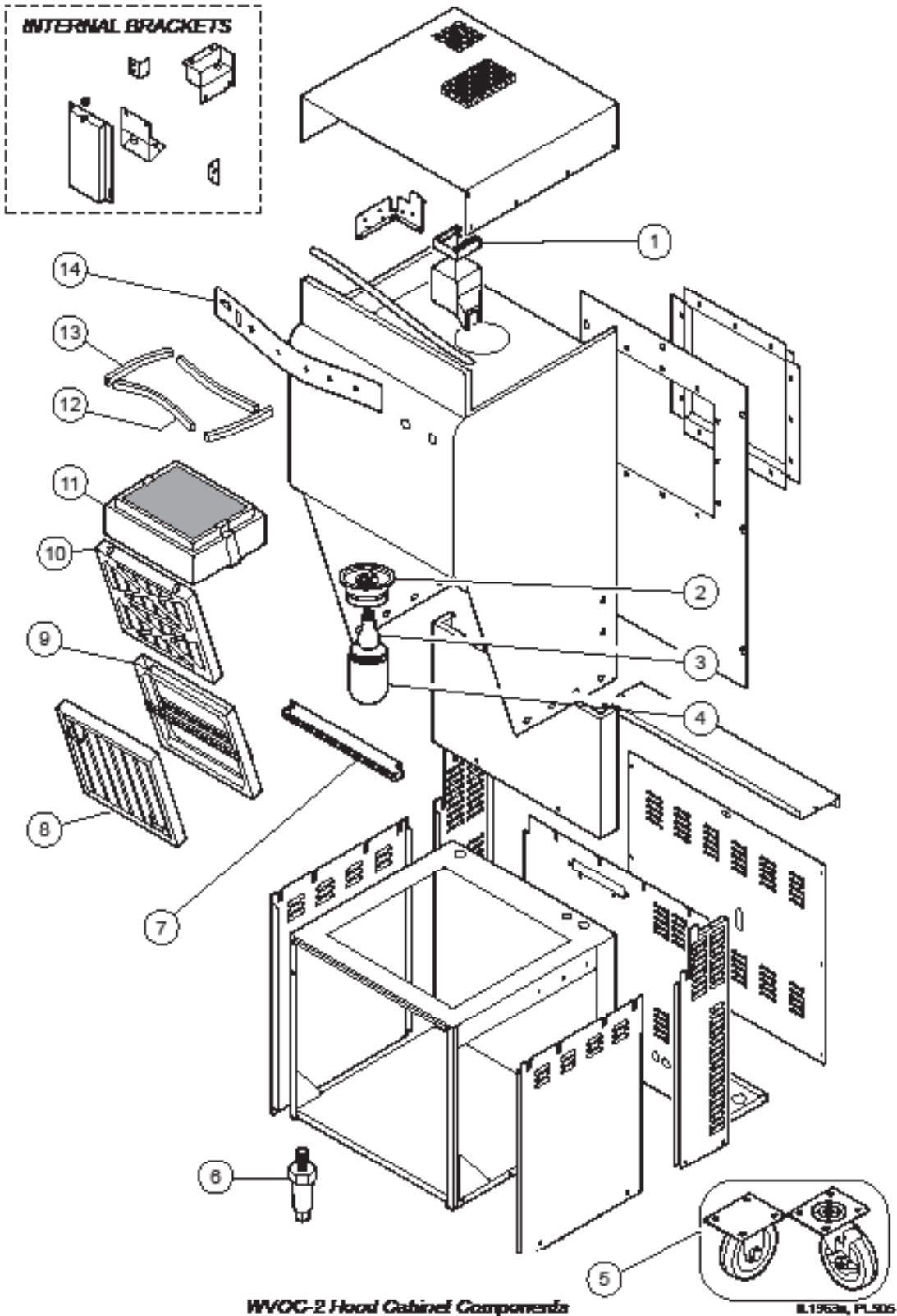
Refer to Ansul® part no. 418078-05
*R-102 Restaurant Fire Suppression
System Design, Installation,
Recharge and Maintenance*



IL2136

EXPLODED VIEW & PARTS LIST

HOOD CABINET COMPONENTS



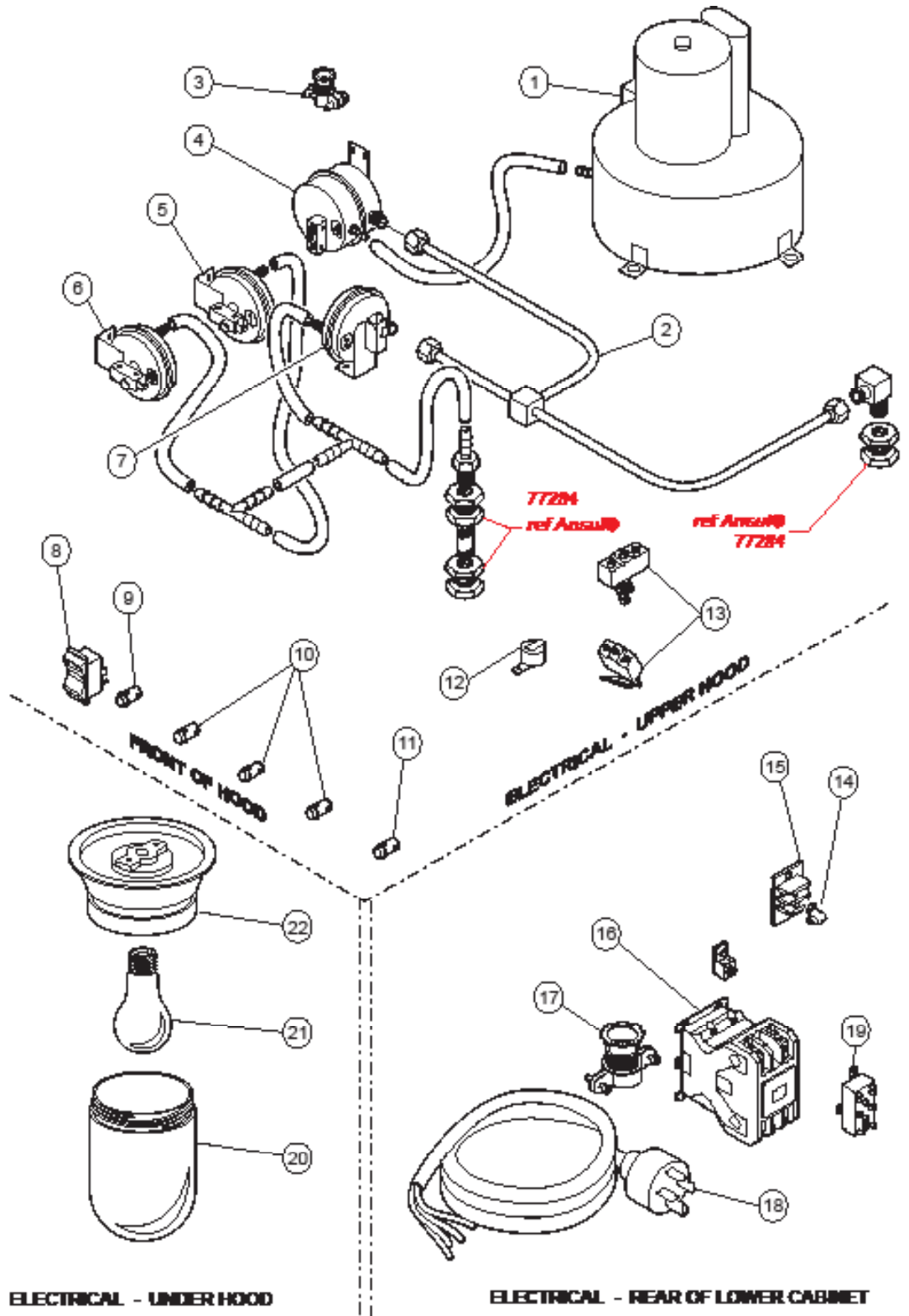
EXPLODED VIEW & PARTS LIST

HOOD CABINET COMPONENTS

Model: WVOC2 Hood Cabinet Components			
Fig No.	Part No	Description	Application
1	2V-301187	DAMPER 280°F	
2	2E-305098	LIGHT HOUSIGN VCS HOOD	
3	2S-305100	LIGHT BULB / 100W-230V FROSTED	
4	2Q-30509	GLASS GLOBE VCS HOOD	
5	5E-20804	CASTER ASSY 2FIX, 2 SWVL	
6	2A-45598	LEG ADJUST 6 IN SS	
7	M3-304405	TRAY GREASE DRIP HOOD	
8	2I-302580	FILTER BAFFLE	
9	M3-302688	PREFILTER CAGE	
10	2I-302579	FILTER PRE HOOD UNIVERSAL	
11	M3-302775	FILTERPACK ASSY UNIV HOOD	
12	WS-502773	GASKET SILICONE .25X.5X18.5	
13	1P-302749	TAPE SILICONE GRAY VCS	Sold By The Foot
14	2M-302782	FACEPLATE FRONT PANEL UNIVERSAL	

EXPLODED VIEW & PARTS LIST

HOOD ELECTRICAL & VACUUM COMPONENTS



L.ES64a, PL525

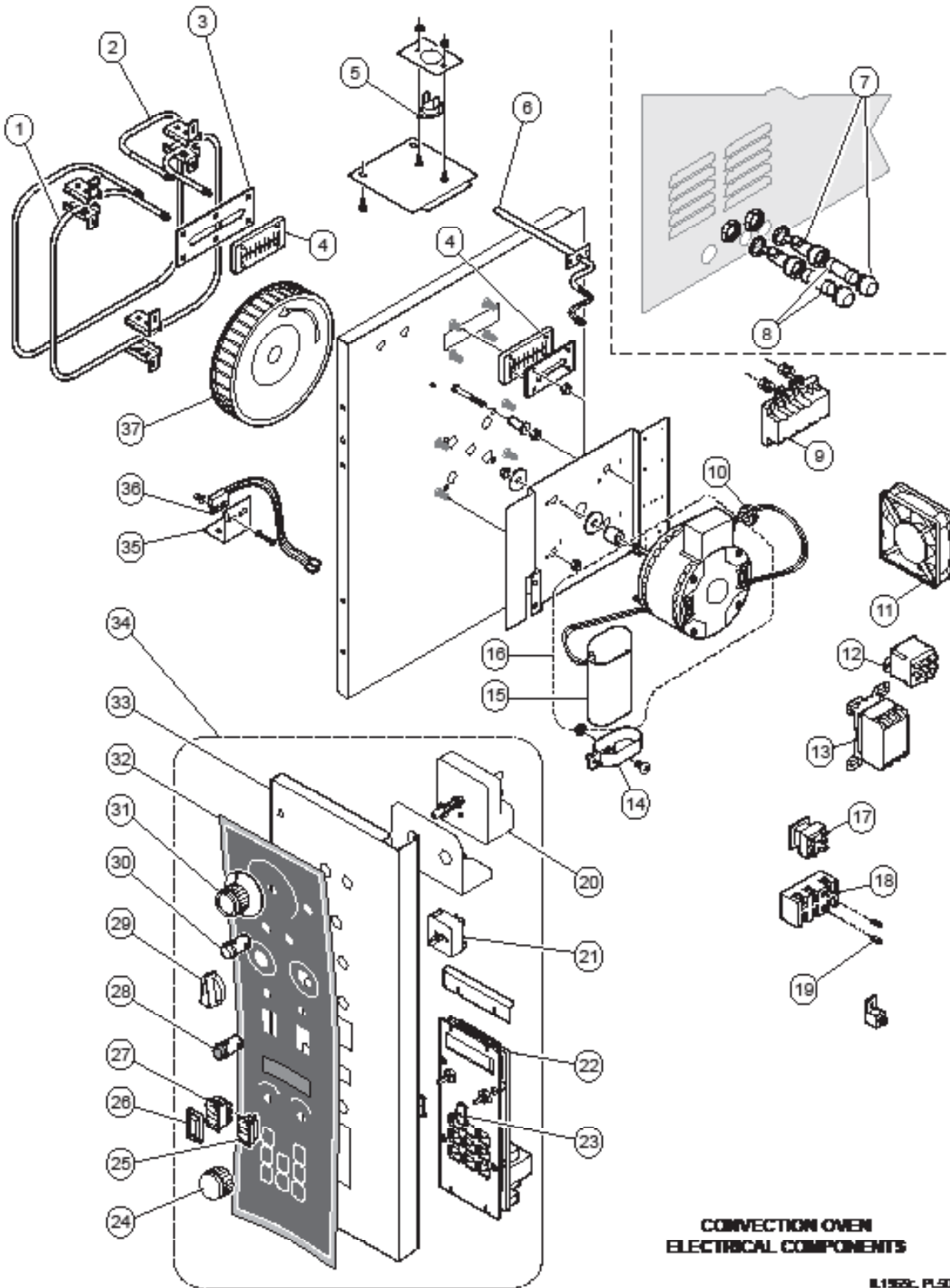
EXPLODED VIEW & PARTS LIST

HOOD ELECTRICAL & VACUUM COMPONENTS

Model: WVOC2 Hood Electric & Vacuum Components		
Fig No.	Part No	Description
1	2U-302584	BLOWER ASSY UNIVERSAL
2	N1-307594	TUBING ASY VACUUM UNIV
3	2K-37748X	FTG CONDUIT STRAIGHT 3/8
4	2E-Z24058	SWITCH VACUUM #4
5	2E-Z24055	SWITCH VACUUM #1
6	2E-Z24057	SWITCH VACUUM #3
7	2E-Z24056	SWITCH VACUUM #2
8	2E-70395	SWITCH ROCKER 240V 20A
9	2J-35697	PILOT LT GREEN 250V
10	2J-30516	LIGHT SIGNAL AMBER
11	2J-31157	LIGHT SIGNAL RED
12	2J-44834	BUZZER 220V ROHS
13	2E-300407	SWITCH MANUAL ADVANCE ROT
14	2E-34005	JUMPER FLAME SENSOR
15	2E-33068	TERM BLOCK FLAME SENSOR
16	2E-Z15704	CONTACTOR 75A 3 POLE 208/240V
17	2K-304420	STRAIN RELIEF 1 1/4NPT
18	M3-303130	CORD SET 60AMP 3 PHASE W/STRAIN RELIEF
19	2E-44514	RELAY 208-240V COIL
20	2Q-305099	GLASS GLOBE VCS HOOD
21	2S-305100	LIGHT BULB/100W-230V, FROSTED
22	2E-305098	LIGHT HOUSING VCS HOOD

EXPLODED VIEW & PARTS LIST

CONVECTION OVEN ELECTRICAL COMPONENTS



505 p/n 2M-304963 Owners Manual WVOC-2 Combination Cook Center

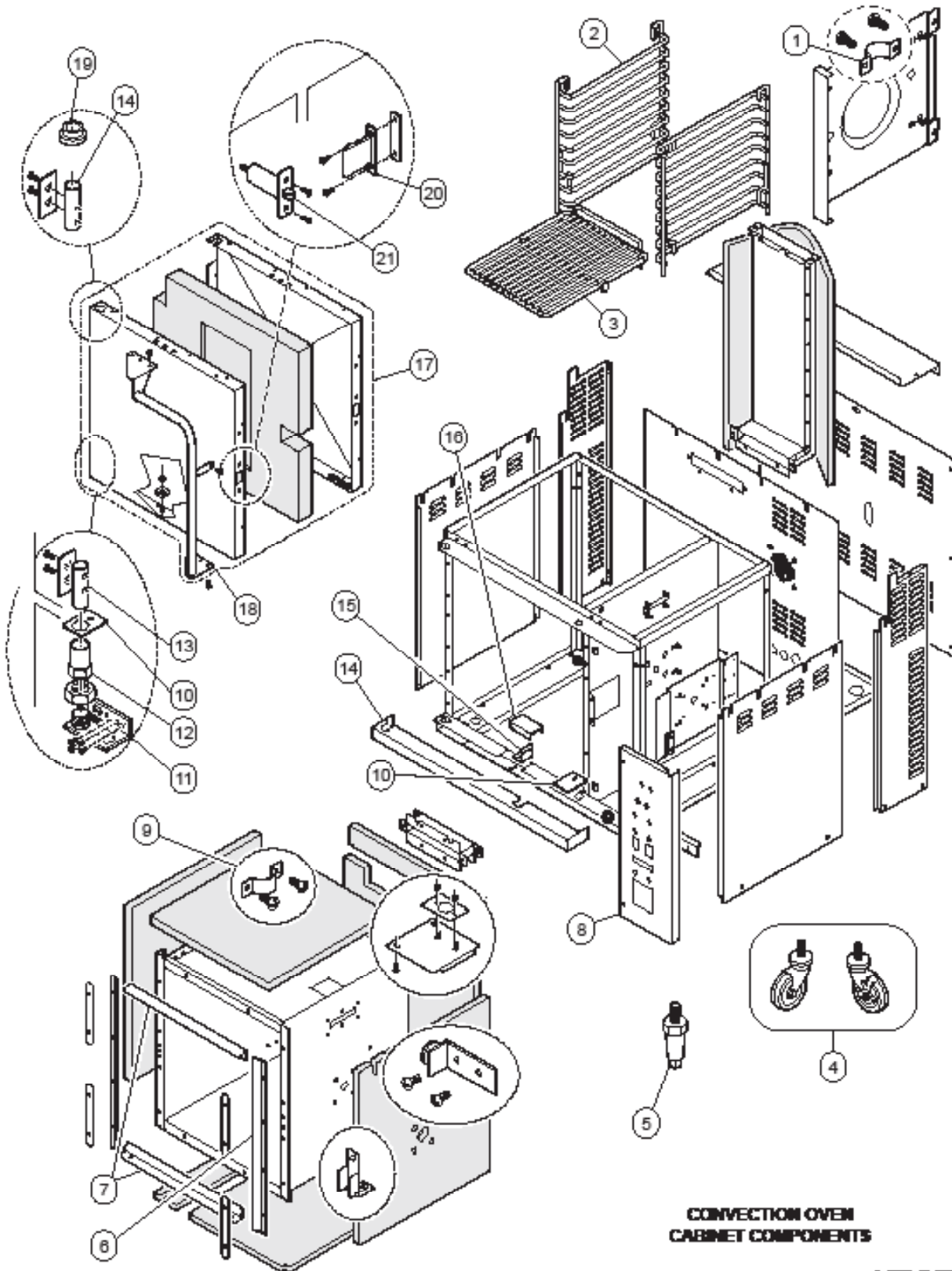
EXPLODED VIEW & PARTS LIST

CONVECTION OVEN ELECTRICAL COMPONENTS

Model: WVOC2 Convection Oven Electrical Components			
Fig No.	Part No	Description	Applications
1	2N-43872UL	ELEM 208V 2500W 4" GAP	208V
	2N-43783UL	ELEM 240V 2800W 4" GAP	240V
2	2N-43866UL	ELEM 208V 2500W 2.5" GAP	208V
	2N-43800UL	ELEM 240V 2800W 2.5" GAP	240V
3	F6-43836	COVER GASKET ELEM INNER	
4	2I-43834	GASKET ELEM M4200	
5	2T-45180	THRMO SNAP DISC M4200/OC1	
6	2J-304712	PROBE TEMP OC-1	
7	2E-34769	FUSEHLDR 10A, 240V	
8	2E-34768	FUSE, SC-10/10A@E300V	
9	2E-306967	RLY ESAFE, I/O 24/240V-LV	208/240V
	2E-306967A	RELAY ESAFE II I/O 24V/240V	380-415V
10	2K-31040	BUSHING 7/8" O.D.	
11	2U-44687	FAN COOLING M4200	
12	2E-307328	RELAY -3PST, I/O 240/30A	
13	2E-302789	CONTACTOR 50A 3 PHASE 208/240V	
14	2V-300933	BRKT CAPACITOR HOLDING	
15	WS-69823	CAPACITOR MTR 440V@6mFD	
16	WS-63932	MOTOR 2SP 1/4HP 208/240V	
17	2E-43880	RLY 208/240 DPDT M4200	
18	WS-50131	TERM BLK KIT 3 POLE 85AMP	
19	2C-41974	NUT 8-32 HEX 7/8 LONG ALU	
20	WS-65846	CNTRLLR	w/MERC Relay
	2J-307348	CONTROLLER 400F,	w/E-SAFE RELAY
21	2E-30562	SWITCH INFINITE 240V A	
22	WS-504713	CONTROLLER BOARD TIME/TEMP	
23	M3-303252	GASKET CLOSE CELL OVEN POTEN	
24	2R-47439	KNOB	
25	2E-45657	SWITCH SPDT	
26	2E-43738	BOOT ROCKER SWITCH WB-2B	
27	2E-45651	SWITCH DPDT BLACK 250V	
28	2J-31157	LIGHT SIGNAL RED	
29	2R-300356	KNOB 150-550 DEG °F	
30	2J-40877	LIGHT SIGNAL WHITE 250V	
31	2R-45653	KNOB CONTROL 2.25 OD	
32	2M-304724	DECAL OC2HG CTRL PNL ZYTR	
33	M3-304688	PANEL CONTROL	
34	M3-49655	PANEL CONTROL ASSY OC-2HG	
35	F6-43787	BRKT SWITCH PROXIMITY	
36	F6-45239	PROXIMITY SWITCH ASSY	
37	2U-43797	WHEEL BLOWER M4200	

EXPLODED VIEW & PARTS LIST

CONVECTION OVEN ELECTRICAL COMPONENTS



CONVECTION OVEN
CABINET COMPONENTS

L 1935, PL 525

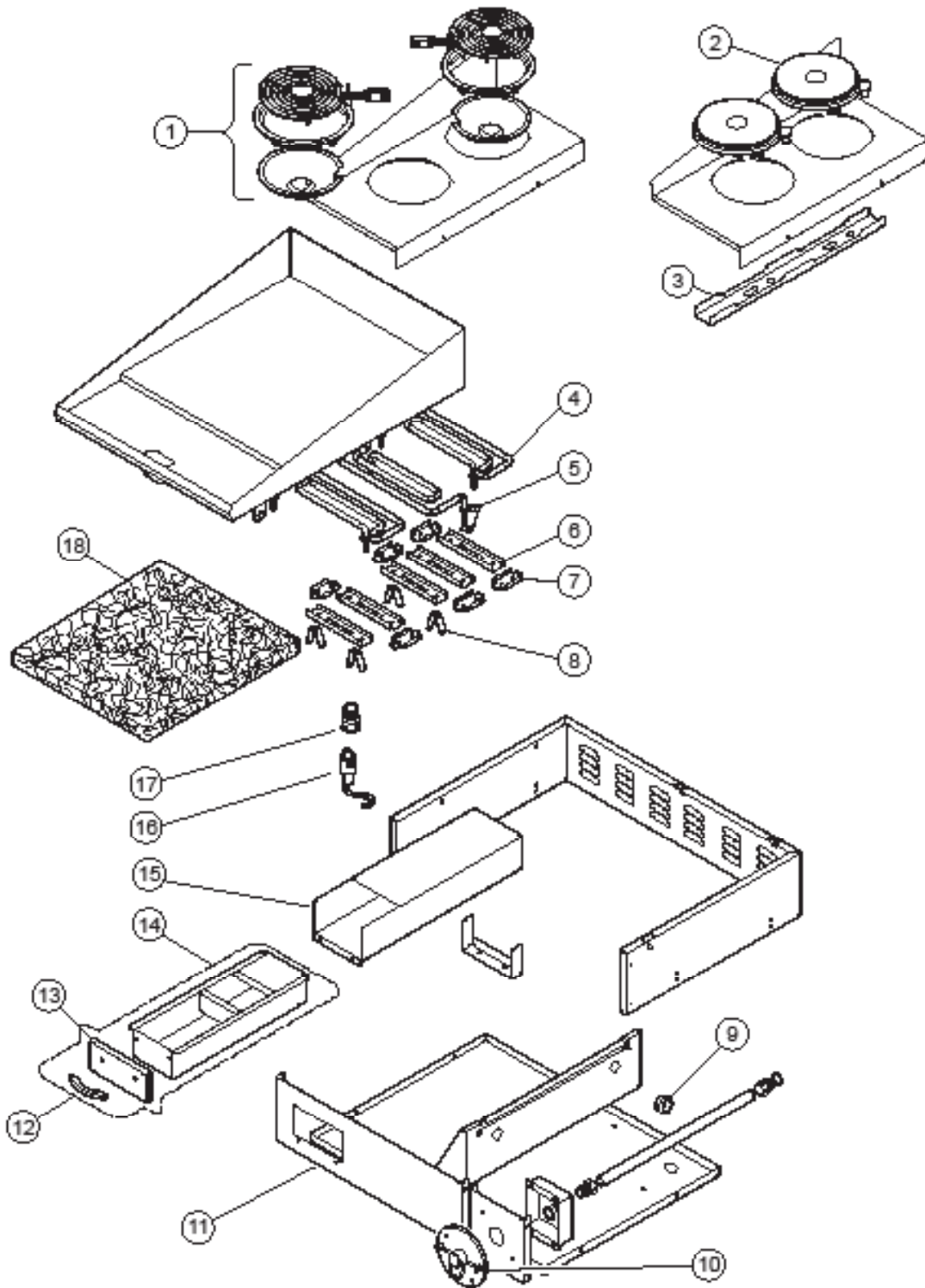
EXPLODED VIEW & PARTS LIST

CONVECTION OVEN ELECTRICAL COMPONENTS

Model: WVOC2 Convection Oven Cabinet Components		
Fig No.	Part No	Description
1	F6-43889	CLIP SUPPORT RACK M4200
2	2B-43785	SUPPORT RACK OVEN M4200
3	2B-50200-34	RACK HALF SIZE OVENS
4	WS-21372	CASTER SWVL W/BRAKE M4200 (SET OF 2)
	WS-21330	CASTER SET OF 4, 2-SWVL, 2-SWVL w/BRK
5	2A-45598	LEG ADJUST 6IN SS OC-1
6	F6-46313	GASKET DOOR SIDE M4200
7	F6-46314	GASKET DOOR TOP BTM
8	NLA	
9	F6-43889	CLIP SUPPORT RACK M4200
10	F6-43899	PLATE DOOR PIVOT M4200
11	F6-43896	HINGE BOT ASSY DOOR M4200
12	2A-43900	SLEEVE HINGE DOOR M4200
13	2A-305610	PIN HINGE DOOR OVENS
14	F6-43804	TRIM FR LOWER M4200
15	F6-43787	BRKT SWITCH PROXIMITY M4200
16	F6-45647	SHIELD PROX SWITCH ASSY
17	F6-504444	DOOR ASSY M4200 3SV
18	2R-305612	HANDLE ASSY M4200-3SV
19	2K-305619	BUSHING UPPER DOOR HINGE
20	2C-305616	STRIKER LATCH M4200-3SV
21	2C-305615	LATCH ASSY M4200-3S

EXPLODED VIEW & PARTS LIST

COOKTOP CABINET & ELECTRICAL COMPONENTS



**COOKTOP CABINET &
ELECTRICAL COMPONENTS**

L1967N, PL505

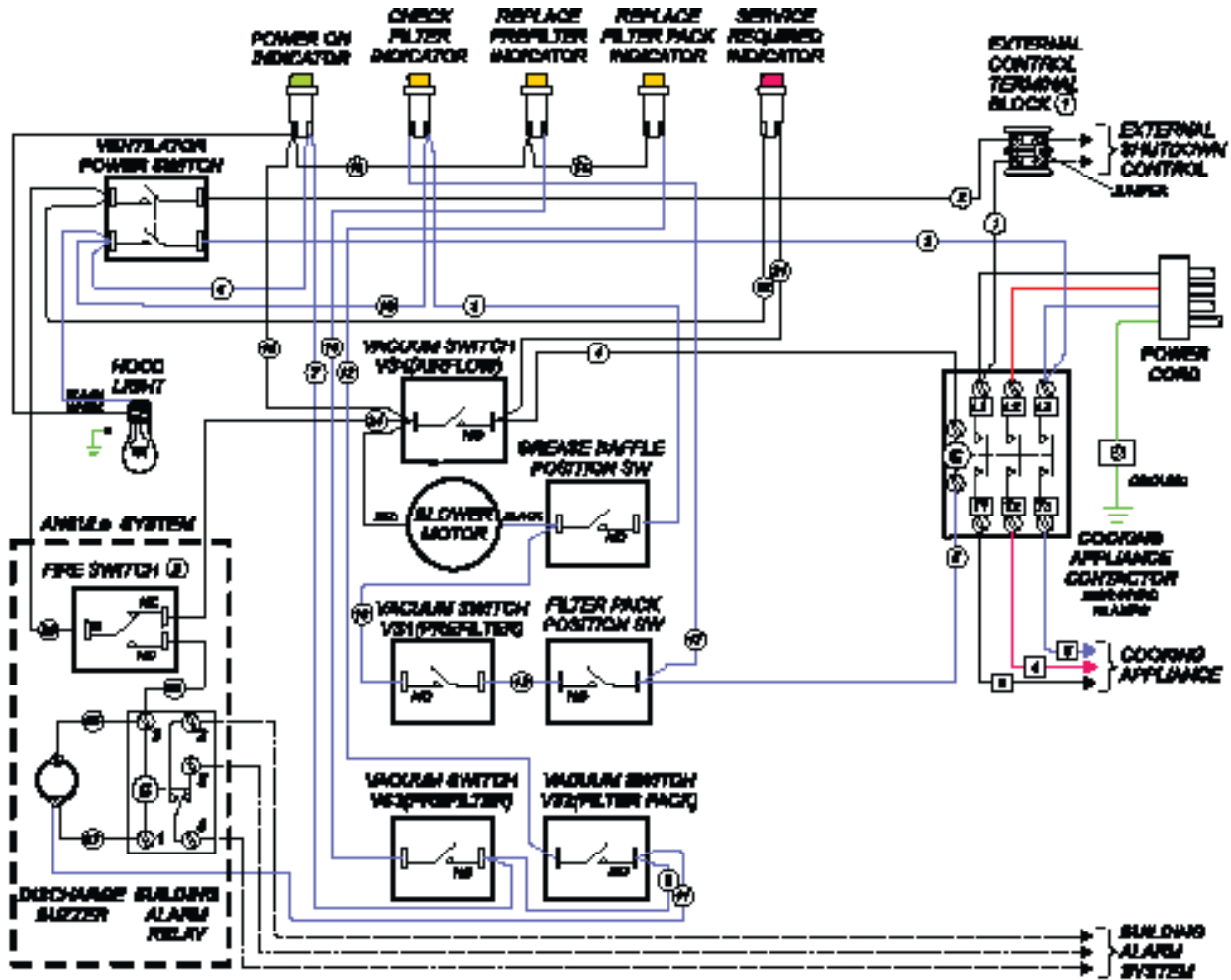
WIRING DIAGRAM

COOKTOP CABINET & ELECTRICAL COMPONENTS

Model: WVOC2 Cooktop Components		
Fig No.	Part No	Description
1	WS-50293	ELEMENT ASSY KIT 240V @ 2600W
2	WS-503973	ELM HPLT, UPGRADE-FUSED WIRE
3	DD-501451	BRKT SOLID ELEM HOLD DOWN
4	2N-30496UL	ELEMENT 240V 2250W
5	2E-32054	JUMPER, ELEMENT MEDIUM
6	G7-31968	CLAMP ELEM CTR SMALL GRD
7	G7-31969	CLAMP ELEM END SMALL GRID
8	G7-33474	CLIP TIE DOWN INSUL GRID
9	2K-31040	BUSHING 7/8" O.D.
10	2O-308131	REMOTE PULL STATION RED
11	M3-302730	PANEL FRONT RANGE
12	2R-38668	HANDLE GREASE DRWR GRIDDLE
13	G7-Z12047	PANEL FRONT - GREASE DRW
14	WS-501774	GREASE CAND ASSY OC2HG
15	G7-WL0622	GREASE TRAY ASSY.
16	WS-69623	PROBE W/ 1/4 ST
17	2K-48746	ADAPTER BAYONET 3/8-24
18	WS-57407	8SF INSULATION-OVERSIZED

WIRING DIAGRAM

HOOD SYSTEM



NOTES

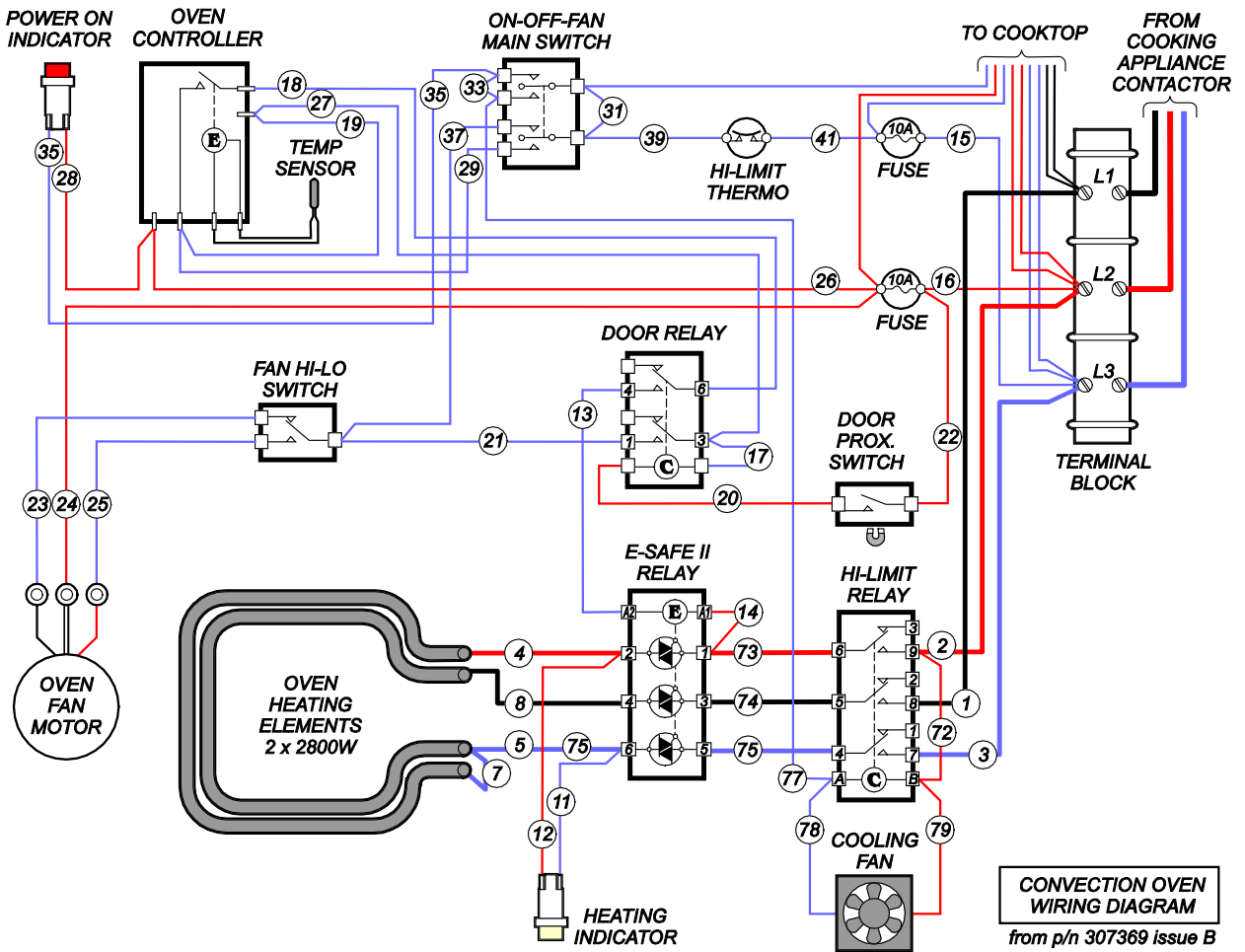
1. REMOVE JUMPER WHEN USING EXTERNAL CONTROL. IMPORTANT: DO NOT CONNECT ANY POWER TO EXTERNAL CONTROL TERMINAL BLOCK.
2. FIRE SWITCH SHOWN WITH ANULIS SYSTEM CHARGED AND COCKED.

MODEL	VOLTS	WATTS	AMPS 3w			AMPS 1w
			L1	L2	L3	
WVOC-2HFG	208	12,300	37	36	33	59
	240	16,300	39	37	36	68
WVOC-2H5G	208	13,200	21	35	34	63.3
	240	17,600	23	38	24	73.1

Drawn by: 204-394022 Issue: C Rev: 204-397399 Issue: 0

WIRING DIAGRAM

CONVECTION OVEN SECTION



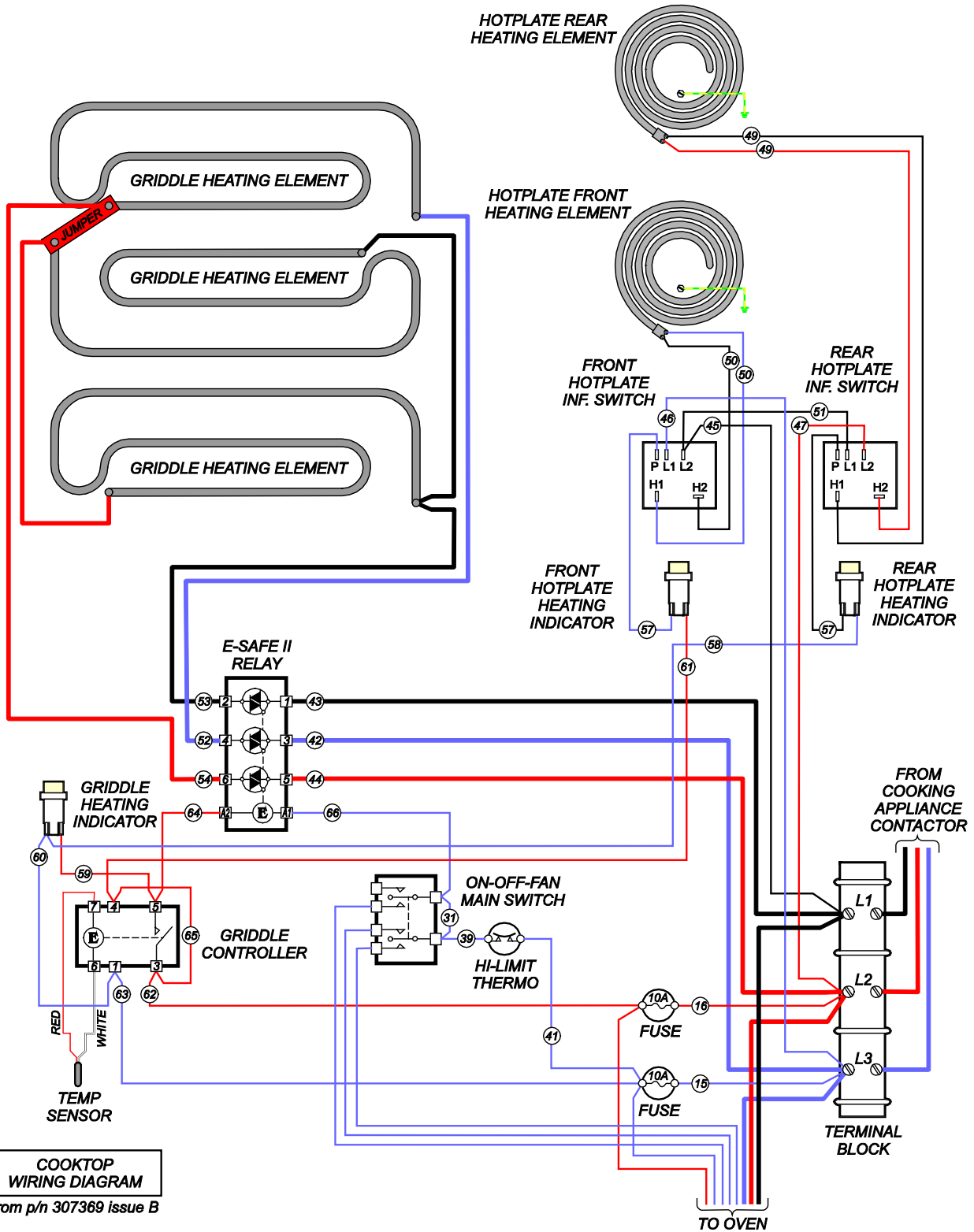
CONVECTION OVEN WIRING DIAGRAM
from p/n 307369 issue B

NOTES:

1. Wiring diagrams show units with E-Safe II electronic relays.
2. For units with mercury relays or E-Safe I electronic relays, contact factory for appropriate wiring diagrams and/or conversion information.

WIRING DIAGRAM

COOKTOP SECTION



**COOKTOP
WIRING DIAGRAM**
from p/n 307369 issue B

PARTS & SERVICE

DESCRIPTION

SERVICE PART NO.

OVEN RACK Replacement	2B-50200-34
PRE-FILTER	2I-302579
PRE-FILTER CAGE	M3-302688
FILTER PACK (HEPA + CHARCOAL)	M3-302775
GREASE BAFFLE	2I-302580
GREASE CUP	DD-302708
LEG KIT	5F-22829
SINGLE LEG	2A-45558
CASTER KIT	DD-22830
DRIP TRAY, 8" (Spiral Hotplate)	I7-30292
SCRAPER, CLEANING (Ceramic Hotplate)	2R-302040
CLEANING CREME, CERAMIC HOTPLATE	2L-301124

IMPORTANT: Use only factory authorized service parts and replacement filters.

For factory authorized service, or to order factory authorized replacement parts, contact your Wells authorized service agency, or call:

Wells Manufacturing

265 Hobson St.,
Smithville, TN 37166 USA

Service Dept.

phone: (800) 264-7827

Service Parts Department can supply you with the name and telephone number of the **WELLS AUTHORIZED SERVICE AGENCY** nearest you.

NOTE: Ansul® Manual 418087-05 are intended for use by authorized Ansul® service personnel only. Ansul® Manual 418087-05 must be obtained through your authorized Ansul® distributor.

CUSTOMER SERVICE DATA

please have this information available if calling for service

RESTAURANT _____ LOCATION _____

INSTALLATION DATE _____ TECHNICIAN _____

SERVICE COMPANY _____

ADDRESS _____ STATE _____ ZIP _____

TELEPHONE NUMBER (____) ____ - _____ EQUIPMENT MODEL NO. _____

EQUIPMENT SERIAL NO. _____

VOLTAGE: (check one) 208 240

CFESA

Commercial Food Equipment Service Association

Wells proudly supports CFESA
Commercial Food Equipment Service Association

SERVICE TRAINING - QUALITY SERVICE



CUSTOMER SATISFACTION



WELLS MANUFACTURING

265 Hobson Street, Smithville, Tennessee 37166

telephone: 800-264-7827

www.wells-mfg.com