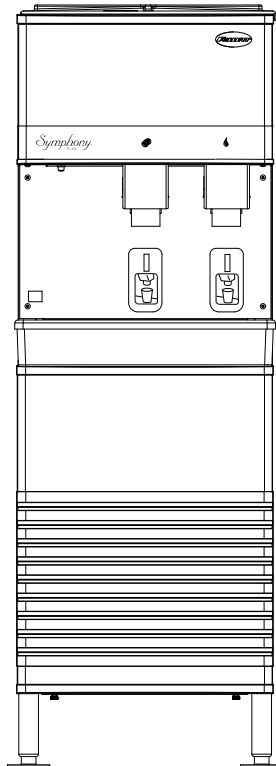


## Operation and Service Manual

After serial numbers L78614

Please visit <https://www.follettice.com/technicaldocuments>  
for the Operation and Service manual for your unit.



### Welcome to Follett

Follett equipment enjoys a well-deserved reputation for excellent performance, long-term reliability and outstanding after-the-sale support. To ensure that this equipment delivers that same degree of service, review this guide carefully before you begin your installation.

Should you have need technical help, please call our Technical Service group at (877) 612-5086 or (610) 252-7301.

Please have your model number, serial number and complete and detailed explanation of the problem when contacting Technical Service.

### Getting Started

After uncrating and removing all packing material. Inspect the equipment for concealed shipping damage. All freight is to be inspected upon delivery. If visible signs of damage exist, please refuse delivery or sign your delivery receipt "damaged." Follett Customer Service must be notified within 48 hours. Wherever possible, please include detailed photos of the damage with the original packaging so that we may start the freight claim process.

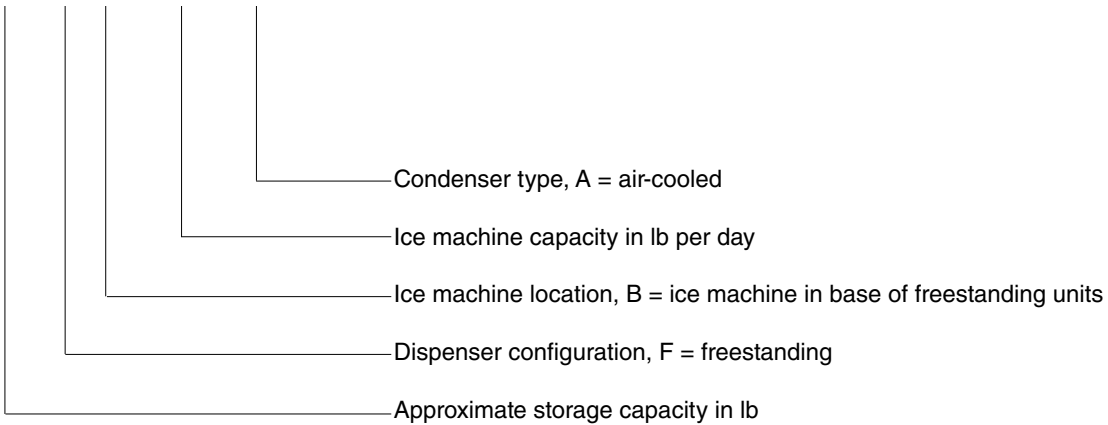
# Contents

---

<b>Welcome to Follett</b> .....	<b>3</b>
Before you begin .....	3
<b>Specifications</b> .....	<b>4</b>
Electrical .....	4
Ambient .....	4
Plumbing .....	4
Ventilation clearances .....	4
Approximate shipping weight .....	4
<b>Installation</b> .....	<b>5</b>
Before you begin .....	5
Installing freestanding dispensers .....	5
<b>User information</b> .....	<b>7</b>
How the dispenser works .....	7
<b>Cleaning and sanitizing</b> .....	<b>7</b>
Weekly .....	8
Monthly .....	8
Semi-Annually (more often if conditions dictate) .....	8
Ice Machine and Dispenser .....	9
<b>Dispenser troubleshooting</b> .....	<b>13</b>
Lever model troubleshooting guide .....	13
SensorSAFE model troubleshooting guide .....	14
<b>Disassembly and replacement instructions</b> .....	<b>15</b>
Ice transport tube replacement .....	16
Thermostat locations .....	17
<b>Replacement parts</b> .....	<b>18</b>
Dispenser exterior .....	18
Dispense chute and splash panel (models with lever dispensing) .....	20
Dispense chute and splash panel (models with SensorSAFE infrared dispensing) .....	21
Dispenser electrical box – SensorSAFE models .....	22
Dispenser electrical box – lever models .....	23
Hopper components .....	24
Ice transport tubing .....	25
Chilled water components .....	25
<b>Water treatment accessories for Symphony Plus ice and water dispensers</b> .....	<b>26</b>

Check your paperwork to determine which model you have. Follett model numbers are designed to provide information about the type and capacity of Follett ice dispensing equipment. Following is an explanation of the different model numbers.

## 50FB425A



### CAUTION!

- Do not tilt unit further than 30° off vertical during uncrating or installation.
- Dispenser bin area contains mechanical, moving parts. Keep hands and arms clear of this area at all times. If access to this area is required, power to unit must be disconnected first.
- Follett recommends a Follett water filter system be installed in the ice machine inlet water line (standard capacity #00130299, high capacity #00978957, carbonless high capacity #01050442).
- Prior to operation clean the dispenser in accordance with instructions found in this manual.
- Ice is slippery. Be sure counters and floors around dispenser are clean, dry and free of ice.

## Specifications

### Electrical

- Freestanding models (25FB425A/W, 50FB425A/W) require a dedicated circuit.

	Total system	Max. fuse
Basic electrical: 115 V/60 Hz/1 phase	11.0A	15A

- Dispensers and RIDE ice machines are supplied with 7-foot power cord with NEMA 5-15 hospital-grade plug. Connect to a dedicated 15A dedicated circuit.

**Note:** It is preferred that circuit be protected by a GFCI.

Model	Electrical connection	Circuits required
25FB425A/W, 50FB425A/W	cord & plug provided	115/60/1, 20A max. fuse size

### Ambient

Air temp	100 F/38 C Max.	50 F/10 C Min. (Best performance below 80 F/27 C)
Water temp	90 F/32 C Max.	45 F/7.2 C Min. (Best performance below 70 F/21 C)
Water pressure (psi/bar)	70/5 Max.	10/0.7 Min.

### Plumbing

	25/50 FB with ice machine in base
Dispenser drain	3/4" MPT
Ice machine drain	3/4" MPT
Dispenser water inlet	3/8" FPT
RIDE IM water inlet	–
Cond. inlet – w/c only	3/8" FPT
Cond. drain – w/c only	3/8" FPT

**Note:** Water shut-off recommended within 10 ft. (3 m) of dispenser. Drain to be hard-piped and insulated. Maintain at least 1/4" per foot (20 mm per 1 m) run of slope.

### Ventilation clearances

- 4" (10.2 cm) required at rear for freestanding models (25FB425A/W, 50FB425A/W).

**Note:** 12" (30.5 cm) at top advised for service.

### Dry weight

- 25/50 FB 212 lb (96 kg)

## Installation

### Before you begin

- All dispensers must be installed level in both directions to ensure proper operation.
- SensorSAFE™ dispensers are shipped with a plastic, protective film on sensor lenses. For proper operation, plastic film must be removed after installation.

### Installing freestanding dispensers

1. Position dispenser in desired location and adjust legs to level in both directions.
2. Connect water supply to 3/8" FPT fitting on back of dispenser (**Fig. 1**).
3. Connect separate drain lines to 3/4" MPT dispenser drain fitting, and 3/4" MPT ice machine drain fitting on back of dispenser.
4. Run drain lines to wall or floor drain. If ice machine drain fitting is below an intended wall drain, a condensate pump must be used.
5. If ice machine is a water-cooled unit, connect water-cooled condenser supply line to 3/8" FPT condenser inlet fitting on back of dispenser.

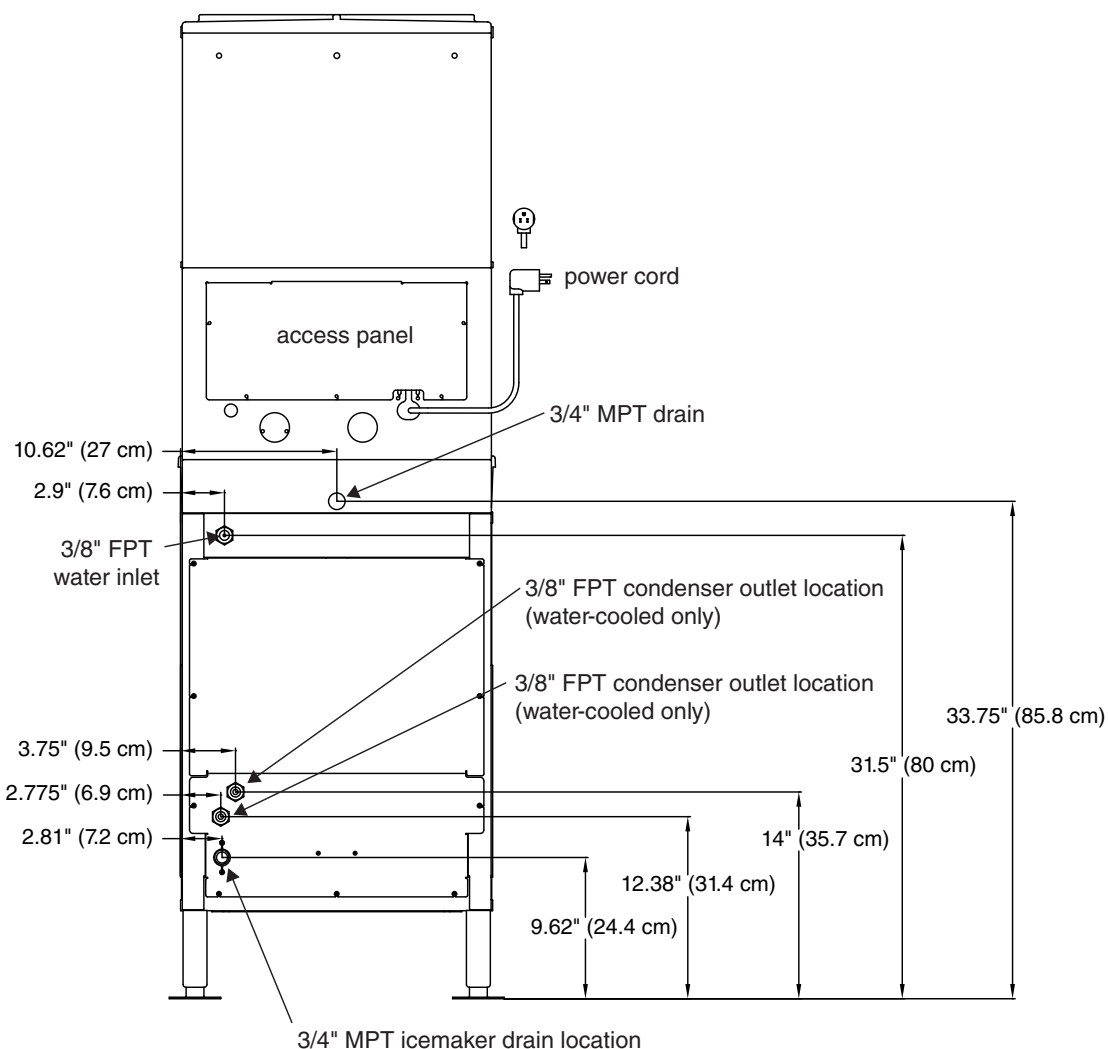
**Note: Do not run condenser supply water through ice machine water filter system.**

6. Connect condenser drain line to 3/8" FPT condenser outlet fitting on back of dispenser.

**Important: Do not connect condenser drain line to any other drain lines.**

7. Plug dispenser into 15A rated NEMA 5-15 wall socket.
8. Remove front cover of base section by removing two screws at bottom corners of cover. Allow cover to drop approximately 3/8" (5 mm) and pull forward.
9. Turn on water supply and check for leaks.

**Fig. 1 – Rear connections, freestanding models**



10. Remove top front cover by removing two screws at bottom corners of cover. Lift cover slightly and pull forward.
11. If dispenser is equipped with SensorSAFE remove protective plastic coating from dispense sensor labels.
12. Turn on dispenser power and bin signal rocker switches. Check dispenser and ice machine operation.
13. Clean ice machine according to cleaning section. Discard ice made during cleaning process.
14. Turn off ice machine bin signal switch.
15. Remove dispenser hopper lid; clean dispenser according to instructions in Cleaning section.
16. Turn ice machine bin signal switch on and replace front covers, securing with screws.

## User information

### How the dispenser works

Follett's 25/50 series automatic-load ice and water dispensers are equipped with Follett's 425 lb (181kg)/day ice machine. In the continuous icemaking process, water freezes to the inside wall of the evaporator. A rotating stainless steel auger carries the ice to the top of the evaporator where it is compressed and extruded through an outlet port. The ice is then pushed through a tube to the storage hopper. When the hopper is full, a bin thermostat opens and shuts the ice machine off. When the dispense mechanism is activated, a dispense motor is turned on, causing the wheel to turn. This moves ice to the dispense chute where it drops by gravity into the container held below the chute.

### How SensorSAFE infrared dispensing works

Follett's SensorSAFE infrared dispensing maximizes sanitation and minimizes the possibility of cross-contamination by eliminating physical contact between the cup or container and dispenser. Sensors in the panel use reflected infrared light to detect the presence of the container and send a signal to a control board which then activates the appropriate components for ice or water dispensing.

The SensorSAFE infrared dispensing package includes a cleaning switch under the left side of the front cover which temporarily shuts off dispensing to allow cleaning of the panel and lenses. If the switch is not turned back on after cleaning, the dispenser automatically resets after two minutes for normal operation.

SensorSAFE infrared dispensing also includes a time limit safety feature which automatically stops ice dispensing after one minute of continuous dispensing. Dispensing can be resumed by moving the container away from the dispenser and returning it to the activation zone.

### Cleaning and sanitizing

Follett ice machines and dispensers, and their associated cleaning and sanitizing procedures, are designed for use with potable water sources. The presence, or suspected presence, of infectious agents may call for additional measures, including the replacement of components and more comprehensive disinfection measures. Follett recommends that these cleaning and sanitizing procedures be reviewed with the appropriate infectious agent subject matter experts to assure complete remediation.

Periodic cleaning of Follett's ice and water dispenser and ice machine system is required to ensure peak performance and delivery of clean, sanitary ice. The recommended cleaning procedures that follow should be performed at least as frequently as recommended and more often if environmental conditions dictate.

Follett recommends sanitizing the pressurized water lines prior to cleaning the ice machine/dispenser. Follett offers two kits: order P/N 01089572 when a Follett filter system with a pre-filter bowl is present, or P/N 01089580 when a Follett filter system is not present. Follow the instructions provided with the respective kits to sanitize the pressurized water lines immediately before cleaning the ice machine/dispenser.

Cleaning of the condenser can usually be performed by facility personnel. Cleaning of the ice machine system should be performed by your facility's trained maintenance staff or a Follett authorized service agent. Regardless of who performs the cleaning, it is the operator's responsibility to see that this cleaning is performed according to the schedule below. Service problems resulting from lack of preventive maintenance will not be covered under the Follett warranty.

#### Recommended cleaning intervals\*

Symphony Plus	Frequency
Drain Line	weekly
Drain Pan/Drip Pan	weekly
Exterior, Water Station Tube	as needed
Condenser	monthly (air-cooled only)
Dispenser and Components	semi-annually
Ice Machine	semi-annually
Transport Tube	semi-annually
Ice Storage Area/Bin	semi-annually
Pressurized Water Sanitizing	semi-annually

\* Ice machine and dispenser must be cleaned prior to start-up.

## Weekly

### CAUTION!

- Do not use solvents, abrasive cleaners, metal scrapers or sharp objects to clean any part of the dispenser.

#### Dispenser drain pan and drain line

- Pour 1 gal. (3.8 L) of hot tap water into drain pan to flush drains.

#### Splash panel front, SensorSAFE infrared dispensing

1. Deactivate dispensing by pressing and releasing clean switch located on left side of unit under top front cover.
2. Clean lens and splash panel front using a soft cloth and mild, non-abrasive, non-chlorine based cleaner.
3. Reactivate dispensing by pressing and releasing clean switch again.

## Monthly

### CAUTION!

- Do not use solvents, abrasive cleaners, metal scrapers or sharp objects to clean any part of the dispenser.

#### Condenser (air-cooled ice machine only)

- Use a vacuum cleaner or stiff brush to carefully clean condenser coils of lint and debris to ensure optimal performance.

#### Semi-Annually (more often if conditions dictate)

- A cleaning procedure should always include both the ice machine and dispenser; ice machine should be cleaned first, followed by the dispenser.
- Icemaking system can be cleaned in place.

### CAUTION!

- Wear rubber gloves and safety goggles (or face shield) when handling SafeCLEAN Plus™ and IMS-III solutions.
- Use only Follett approved cleaners.
- It is a violation of Federal law to use the Nu-Calgon® IMS-III solution in a manner inconsistent with its labeling.
- Do not use solvents, abrasive cleaners, metal scrapers or sharp objects to clean any part of the dispenser.

#### Cleaning & Sanitizing Tool Checklist

- (1 or 2) 1.5 Gallon (or larger) plastic bucket
- (2) clean cloths
- Sanitary gloves
- Safety glasses
- (2) SaniSponge™ (P/N 00131524 - single sponge)
- SafeCLEAN Plus ice machine cleaner
- [OPTIONAL] Nu-Calgon IMS-III no-rinse sanitizer (P/N 00979674 – 16 fl oz. bottle)

**SafeCLEAN Plus Solution:** Follow the directions on the Follett Follett SafeCLEAN Plus packaging to mix 1 gal. (3.8 L) of cleaning solution. Use 100 F (38 C) water.

**[OPTIONAL] No-rinse Sanitizing Solution:** Follow the directions on the Nu-Calgon IMS-III Plus packaging to mix 1 gal. (3.8 L) of IMS-III solution. Use 100 F (38 C) water.



## Ice Machine and Dispenser

### Cleaning Procedure

**Note:** Check drains and drain cup to ensure they are open and flowing freely.

1. If ice machine was running recently, ensure that the evaporator is completely free of ice before proceeding. If there is ice in the evaporator, complete steps 2-7 using only hot water to remove the ice, then begin Cleaning/Descaling Procedure again.
2. Remove front cover of the dispenser and turn **OFF** bin signal switch.
3. Dispense all ice from storage hopper and discard.
4. Remove the cover of the base stand.
5. Press **CLEAN** switch. The **MAINTENANCE** light will turn on and the machine will drain. Wait for the **LOW WATER** light to turn on.
6. Remove lid from cleaning cup and fill (about 1 quart) until SafeCLEAN Plus solution completely fills the reservoir. Place lid back on cup. Save remainder of SafeCLEAN Plus solution.
7. **CLEANER FULL** light will turn on and machine will start cleaning cycle, then rinse three times; this process takes approximately 15 minutes.
8. While ice machine is cleaning/descaling, clean dispenser as follows:
  - a. Turn **OFF** dispenser power.
  - b. Remove hopper lid.
  - c. Remove knurled nuts from front of storage hopper.
  - d. Remove stud assembly, baffle, wheel, and any remaining ice.
  - e. Remove dispense chutes from splash panel.
  - f. Submerge drain grille in SafeCLEAN Plus solution and allow to soak to remove any scale buildup.
  - g. Wipe inside of hopper lid, stud assembly, baffle, wheel, inside of storage area, dispense chutes, drain grille and drain pan with damp cloth wrung out in SafeCLEAN Plus solution. Thoroughly rinse all parts with damp cloth wrung out with clean water.

**Note:** To avoid possible damage to motor assembly, only use a damp cloth to clean storage hopper. Do not allow water to run through motor shaft hole in bottom of hopper.
9. When machine is finished cleaning, the **MAINTENANCE** light will turn off.

### Finish cleaning – SafeCLEAN Plus only

10. If the dispenser is equipped with a Chilled Water Accessory continue to **Step 10.a**; if not, skip to **Step 11**.
  - a. Remove four screws securing splash panel.
  - b. Disconnect 3/4" (19 mm) drain line from bottom of chilled water canister.
  - c. Loosen (do not remove) screw securing front bracket of chilled water canister to bottom of dispenser hopper.
  - d. Rotate canister clockwise to release front bracket, then pull canister forward to disengage rear bracket.
  - e. Remove chilled water coil from canister and clean with cloth wrung out in SafeCLEAN Plus solution.
  - f. Wipe inside of chilled water canister with cloth wrung out in SafeCLEAN Plus solution.
  - g. Rinse all above items with damp cloth wrung out in clear water.
  - h. Reinstall chilled water coil into canister (rubber alignment grommet on coil tubing must be located outside chilled water canister to hold coil securely against canister wall).
  - i. Reinstall chilled water assembly on dispenser and tighten screw securing front bracket.
  - j. Reconnect 3/4" (19 mm) drain line to chilled water canister.
11. Reinstall dispense chutes, wheel, baffle, stud assembly and knurled nuts.
12. Remove top bearing insulation, loosen Phillips-head screw on nozzle connected to evaporator. Remove nozzle from evaporator side only, leave other side of nozzle connected to transport tube.
13. Soak one SaniSponge in remaining SafeCLEAN Plus solution.
14. Insert the sponge soaked in cleaning solution into nozzle, then insert a dry sponge into the nozzle.
15. Replace nozzle onto evaporator and tighten screw. Ensure drain is connected to reservoir and vent tubes are connected to evaporator drain pan. Replace top bearing insulation.
16. Turn **ON** bin signal switch. Wait for ice to push sponges through transport tube.

17. Collect sponges from ice storage bin.
18. Replace hopper lid, base stand cover, turn **ON** dispenser power and install dispenser front cover.
19. After 10 minutes, dispense all ice and discard.

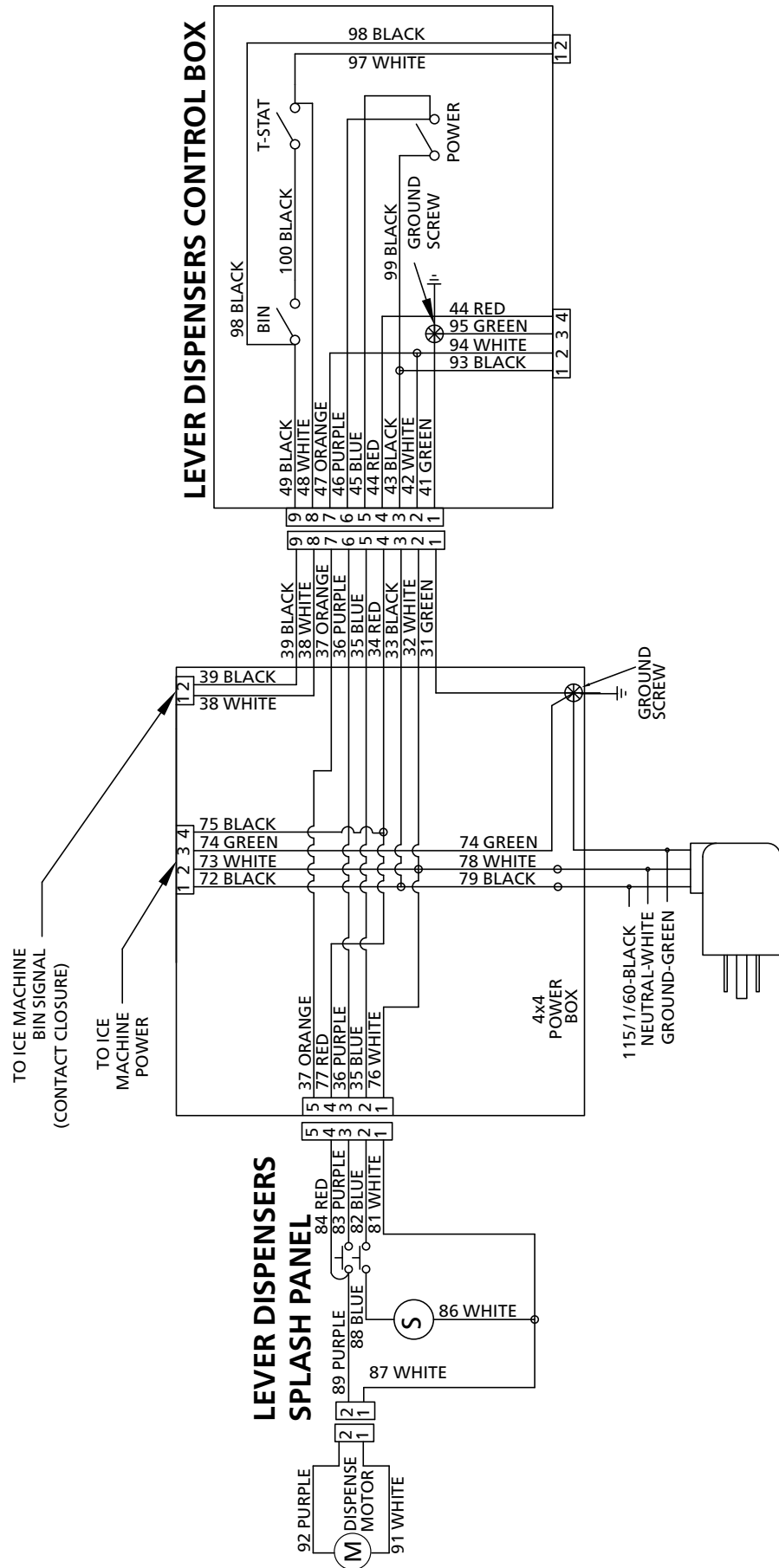
**[OPTIONAL] Finish cleaning – No-rinse sanitizing with Nu-Calgon IMS-III**

10. Press **CLEAN** switch. The **MAINTENANCE** light will turn on and the machine will drain. Wait for the **LOW WATER** light to turn on.
11. Remove lid from cleaning cup and fill (about 1 quart) until sanitizing solution completely fills the reservoir. Place lid back on cup. Save remainder of sanitizing solution.
12. **CLEANER FULL** light will turn on and machine will start sanitizing cycle, then rinse three times; this process takes approximately 15 minutes.
13. While ice machine is sanitizing, sanitize dispenser as follows:
  - a. Wipe inside of hopper lid, stud assembly, baffle, wheel, inside of storage area, dispense chutes, drain grille and drain pan with damp cloth wrung out in sanitizing solution. Do not rinse off the sanitizing solution.  
**Note:** To avoid possible damage to motor assembly, only use a damp cloth to clean storage hopper. Do not allow water to run through motor shaft hole in bottom of hopper.
14. Reinstall dispense chutes, wheel, baffle, stud assembly and knurled nuts.
15. When machine is finished rinsing, the **MAINTENANCE** light will turn off.
16. If the dispenser is equipped with a Chilled Water Accessory continue to **Step 16.a**; if not, skip to **Step 17**.
  - a. Remove four screws securing splash panel.
  - b. Disconnect 3/4" (19 mm) drain line from bottom of chilled water canister.
  - c. Loosen (do not remove) screw securing front bracket of chilled water canister to bottom of dispenser hopper.
  - d. Rotate canister clockwise to release front bracket, then pull canister forward to disengage rear bracket.
  - e. Remove chilled water coil from canister and clean with cloth wrung out in sanitizing solution.
  - f. Wipe inside of chilled water canister with cloth wrung out in sanitizing solution.
  - g. Do not rinse off the sanitizing solution.
  - h. Reinstall chilled water coil into canister (rubber alignment grommet on coil tubing must be located outside chilled water canister to hold coil securely against canister wall).
  - i. Reinstall chilled water assembly on dispenser and tighten screw securing front bracket.
  - j. Reconnect 3/4" (19 mm) drain line to chilled water canister.
17. Remove top bearing insulation. Loosen Phillips-head screw on nozzle connected to evaporator. Remove nozzle from evaporator side only, leave other side of nozzle connected to transport tube.
18. Soak one SaniSponge in remaining sanitizing solution. Insert the sponge soaked in sanitizing solution into nozzle, then insert a dry sponge into the nozzle.
19. Replace nozzle onto evaporator and tighten screw. Ensure drain is connected to reservoir and vent tubes are connected to evaporator drain pan. Replace top bearing insulation.
20. Turn **ON** bin signal switch. Wait for ice to push sponges through transport tube.
21. Collect sponges from ice storage bin.
22. Replace hopper lid, base stand cover, and install dispenser front cover.
23. After 10 minutes, dispense all ice and discard.

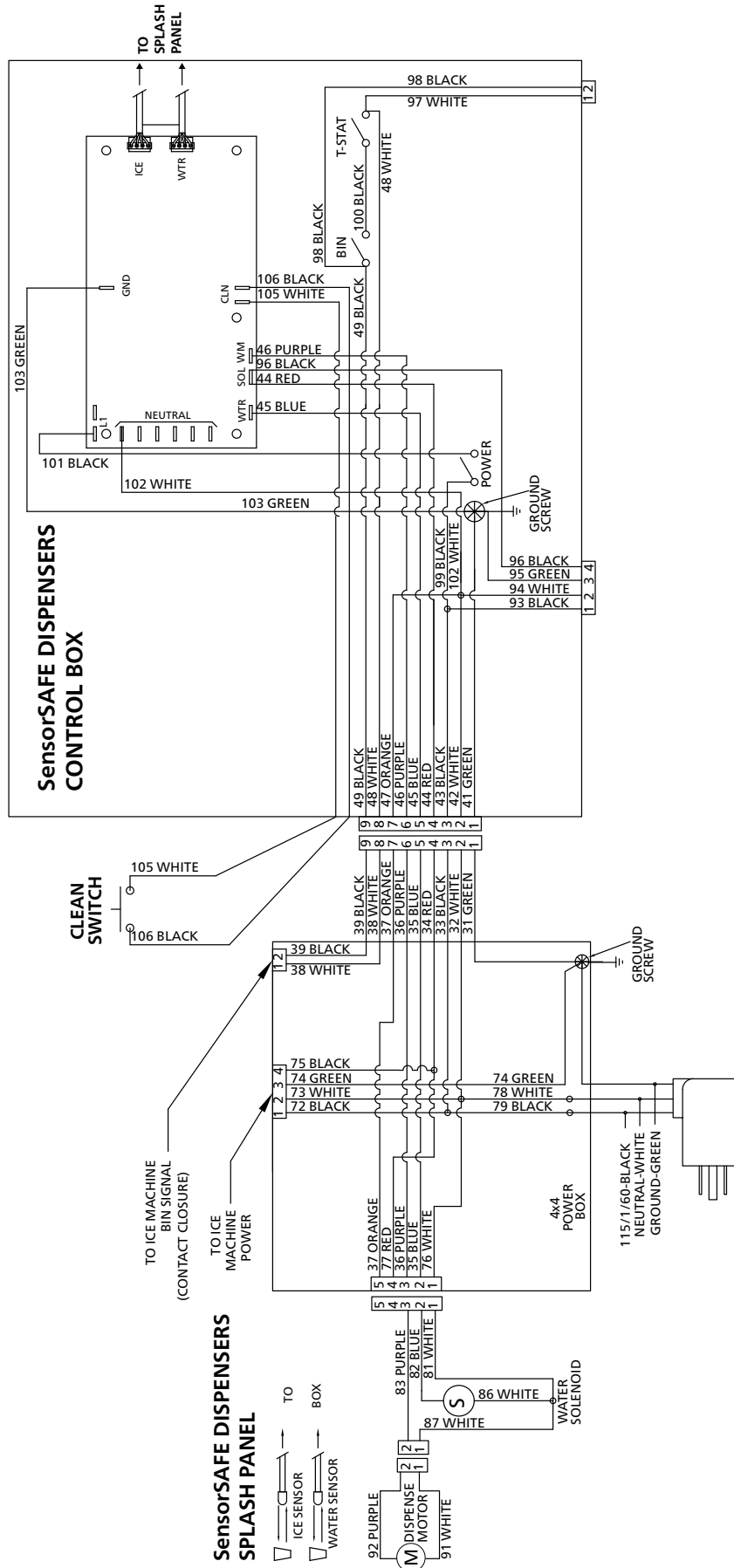
**User Interface and Exterior Cabinet**

- Clean stainless steel panels with stainless steel cleaner.

Wiring diagram - Lever only



Wiring diagram - SensorSafe only



## Dispenser troubleshooting

### CAUTION!

- Disconnect power to unit before putting hands or arms in storage area or attempting any repair or service to equipment.

#### Before calling for service

1. Check that no ice is in the dispenser bin area.
2. Check that congealed ice is not causing a jam.
3. Check that all switches and circuit breakers are on.
4. Check that all drains are clear.
5. Check that water is supplied.

#### Lever model troubleshooting guide

Problem	Indicators	Corrective Action
Does not dispense ice.	<ol style="list-style-type: none"> <li>1. Power switch off or faulty.</li> <li>2. Faulty dispense switch.</li> <li>3. Wheel motor malfunction.</li> </ol>	<ol style="list-style-type: none"> <li>1. Check switch – turn on or replace if faulty.</li> <li>2. Replace switch.</li> <li>3. Check motor and capacitor and replace</li> </ol>
Does not dispense water.	<ol style="list-style-type: none"> <li>1. Dispense switch contacts burned shut.</li> <li>2. Debris preventing valve from closing.</li> </ol>	<ol style="list-style-type: none"> <li>1. Replace water solenoid valve.</li> <li>2. Replace dispense switch.</li> <li>3. Check switch - turn on or replace if faulty.</li> </ol>
Water runs continuously.	<ol style="list-style-type: none"> <li>1. Faulty water solenoid valve.</li> <li>2. Faulty dispense switch.</li> <li>3. Power switch off or faulty.</li> </ol>	<ol style="list-style-type: none"> <li>1. Check switch and replace if faulty</li> <li>2. Remove and clean valve</li> </ol>
Dispense wheel rotates continuously.	Dispense switch contacts are burned out.	Replace dispense switch.
Ice machine runs continuously.	Faulty or incorrectly positioned bin stat.	Check for proper positioning. If stat does not open when ice is placed on capillary tube, replace stat.
Ice dispenses by itself.	<ol style="list-style-type: none"> <li>1. Baffle not adjusted properly.</li> <li>2. Faulty dispense switch.</li> </ol>	<ol style="list-style-type: none"> <li>1. See Adjustment Instructions.</li> <li>2. Replace dispense switch.</li> </ol>
Not making ice.	1. Dispenser is in sleep mode.	<ol style="list-style-type: none"> <li>1. Verify sleep mode LED is illuminated on control board.</li> <li>2. Dispense 5 seconds worth of ice to reset.</li> </ol>

## SensorSAFE model troubleshooting guide

Problem	Action	SensorSAFE Board LED Status			Corrective Action
		PWR	CLN	ICE/WTR	
Does not dispense ice and/or water.	Check LEDs on the SensorSAFE control board.	OFF	OFF	OFF	Check circuit breakers and power switch. Restore power or replace defective switch.
		ON	ON	OFF	Press clean switch on lower left side of electrical enclosure to return board to normal operation.
	Place cup under drop zone (in front of lens)	ON	OFF	OFF	Troubleshoot appropriate lens/sensor and replace if required (see lens/sensor troubleshooting).
		ON	OFF	ON	Verify power on appropriate output terminal (WTR or WM) on control board and replace board if required. If board tests okay, troubleshoot appropriate dispenser component.
Dispenses ice and/or water continuously.	Check LEDs on control board.	ON	OFF	ON	Troubleshoot appropriate lens/sensor and replace if required (see lens/sensor troubleshooting).
		ON	OFF	OFF	If there is power on any output terminal (WTR or WM) on control board, replace board.

### Board guide

LEDs, when illuminated, indicate the following: PWR (board power), CLN (cleaning, no dispensing cycle), ICE (ice dispensing activated), WTR (water dispensing activated).

Terminals: LI (incoming power, hot), L2 (neutral terminals), WTR (power terminal for water solenoid), WM (power terminal for wheelmotor), CLN (terminals for clean cycle switch).

**Note:** SOL terminal not used in 12 series dispensers.

### Lens/sensor troubleshooting

1. Turn dispenser power switch off and remove splash panel.
2. Disconnect wires from WTR and WM terminals on board.
3. Gently remove sensor/mounting block from splash panel.
4. Inspect lens and sensor, clean if necessary.
5. Restore dispenser power and test sensor by passing hand in front of sensor.
6. If LED on board turns on, sensor is operational. Re-assemble dispenser.
7. If LED does not come on switch sensor leads on board and retest.
8. If opposite LED comes on – replace defective board.
9. If opposite LED does not come on – replace defective sensor.

## Disassembly and replacement instructions

### Dispense chute removal

1. Remove dispenser front cover.
2. Slide plastic dispense chute up and out to remove.

### Dispense wheel and drive bar removal

1. Remove all ice from storage area of dispenser.
2. Remove center thumbnut from dispense wheel.
3. Remove thumbnuts holding baffle inside bin and remove baffle.
4. Tilt rear of wheel up and lift off motor drive shaft.
5. After reinstalling wheel, secure baffle loosely with thumbnuts, but do not tighten.
6. Place a 1/8" (3.2 mm) spacer against wheel and allow baffle to drop until it touches spacer.
7. Tighten thumbnuts and remove spacer.

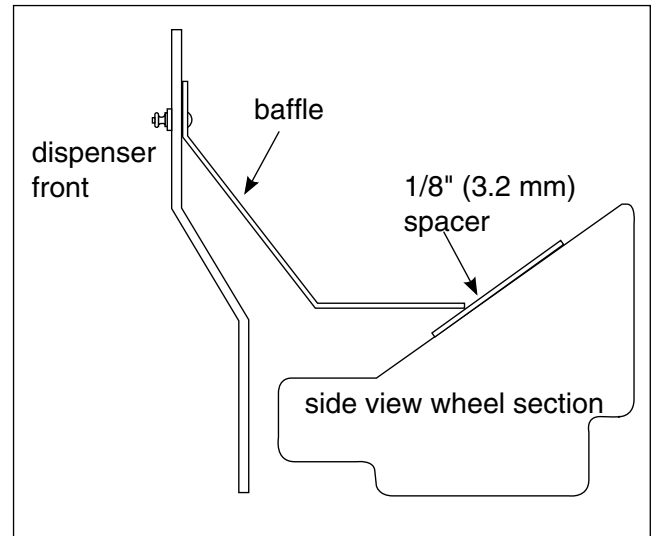
### Drive bar removal

1. Remove dispense wheel from dispenser (see above).
2. Pull drive bar out of its channel in bottom of wheel.

### Wheelmotor removal

1. Shut water off. Remove front cover.
2. Remove dispense wheel and dispense chute covers (see above).
3. Remove splash panel. Water line to solenoid valve can be disconnected from water inlet valve by pulling on ring at end of inlet fitting.
4. Disconnect wiring to panel and set panel aside.
5. Disconnect wires on motor.
6. Remove four bolts (7/16" socket) holding motor assembly to bottom of dispenser.
7. Remove motor assembly.

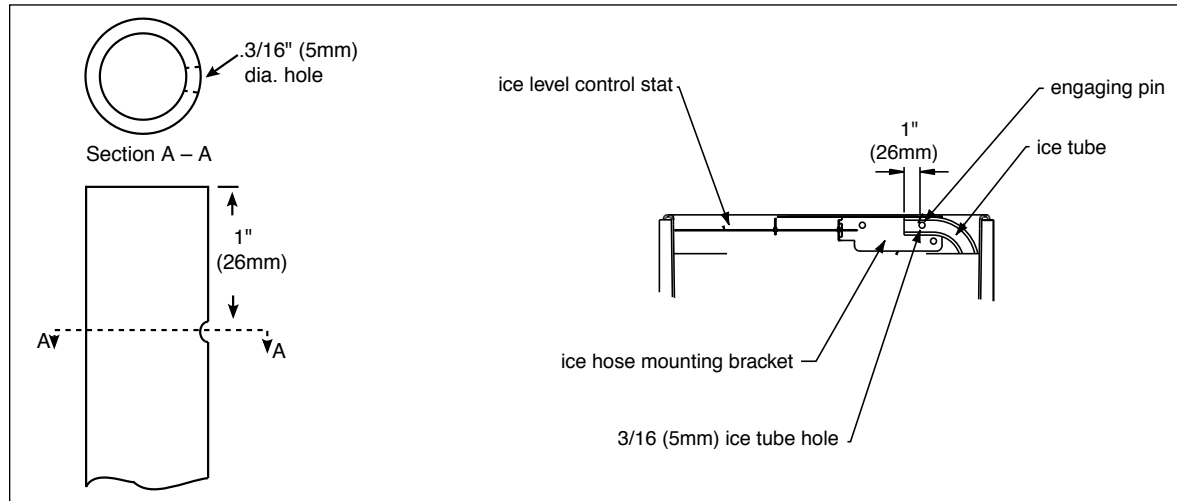
Fig. 2



## Ice transport tube replacement

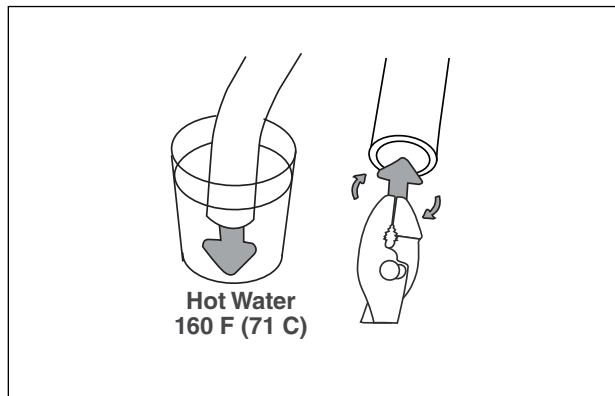
1. Remove top and rear access panel from dispenser (lower front panel in freestanding unit).
2. Disconnect existing ice tube from engaging pin on transport tube bracket in ice storage bin and pull down through dispenser chase.
3. Disconnect opposite end of tube from ice machine.
4. Run end of new ice transport tube with 3/16" (5 mm) hole through internal chase in rear inside corner of dispenser (left side as you face dispenser) and push up into storage area.
5. Push the 3/16" (5 mm) hole near end of tube into pin on ice tube bracket (**Fig 3**).

**Fig. 3**



6. Slip supplied hose clamp on opposite end of new ice transport tube. Place end of tube in cup of hot water to soften and spread with pliers to ease assembly and prevent coupler edge from cutting inner wall of tube (**Fig 4**).

**Fig. 4**



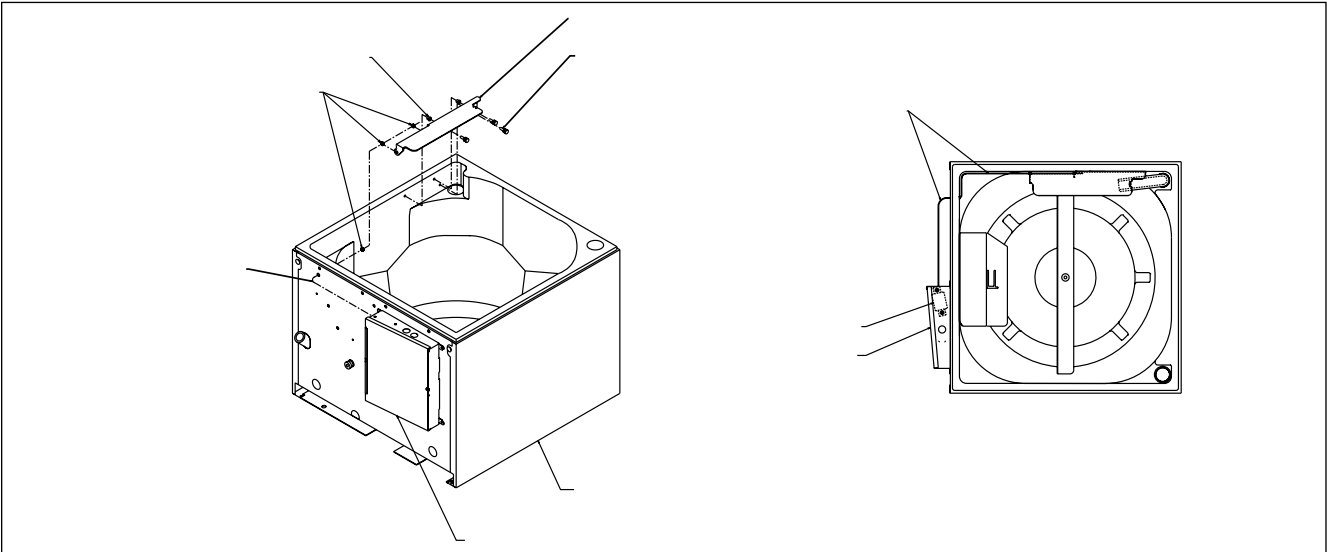
7. Carefully push tube onto icemaker. *Do not twist hose when securing to evaporator.*

**Note:** Only use tubing supplied by Follett Corporation.

8. Fasten tube on port with hose clamp, ensure that clamp is positioned on evaporator side of nozzle flange.
9. Tighten clamp.

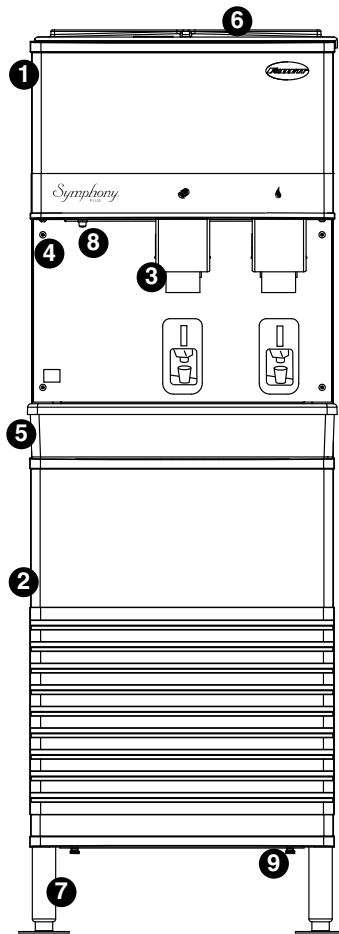


**Thermostat locations**



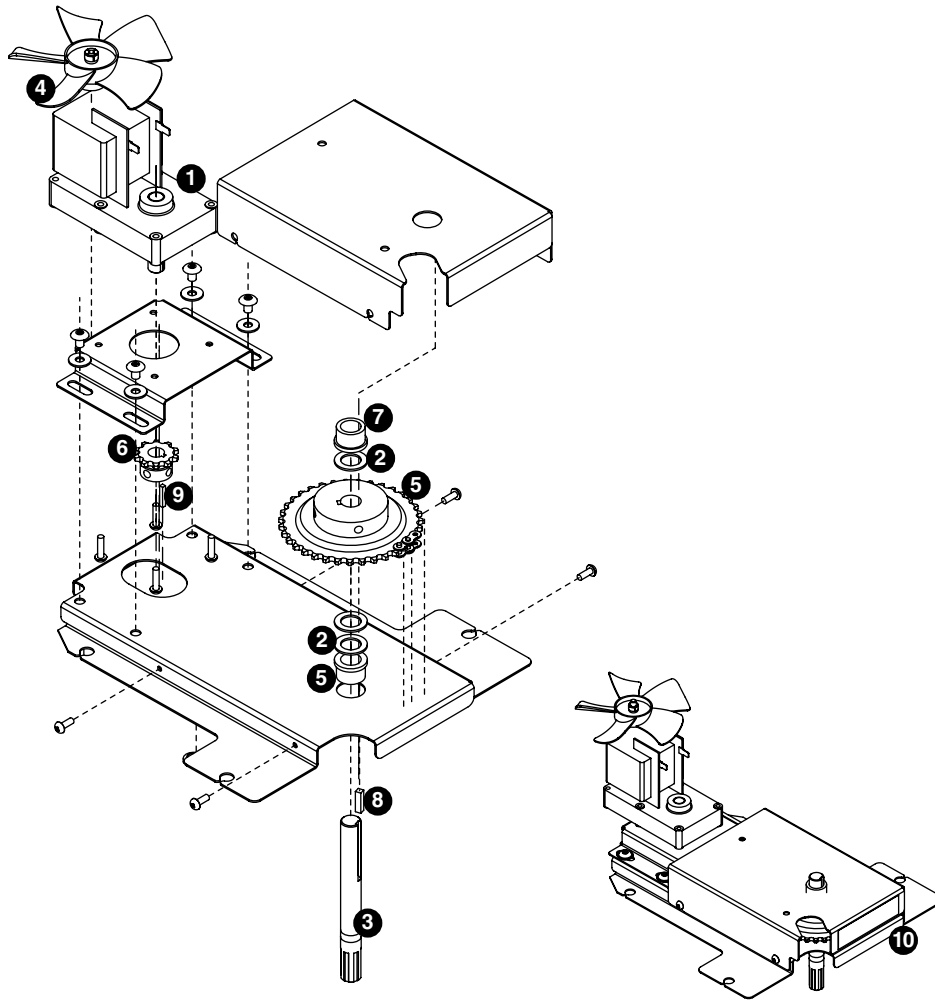
# Replacement parts

## Dispenser exterior



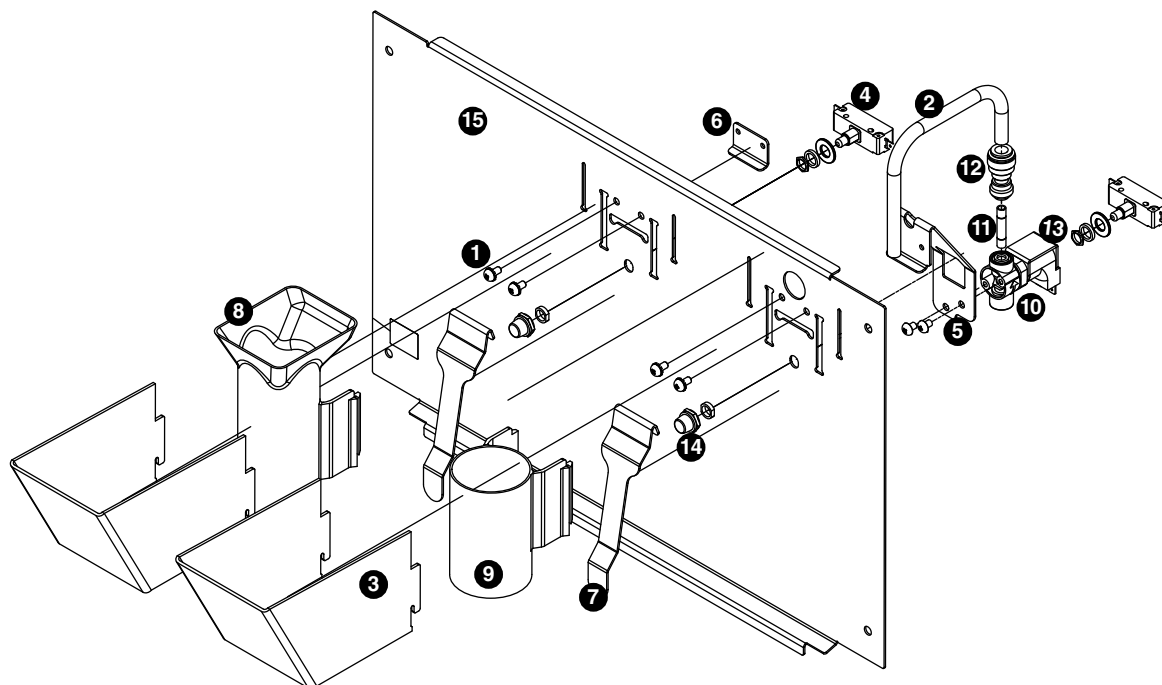
Reference	Description	Part #
1	Cover, top front, 25 FB, ice and water	01072719
1	Cover, top front, 50 FB, ice and water	01072727
2	Cover, lower section, stainless, 25/50 FB	502694
3	Cover, dispense chute	502681
4	Knurled screws, front cover	01085703
5	Drain pan	502682
Not shown	Grille, drain pan	01050277
6	Lid, bin, secured	01072776
Not shown	Rear panel, base stand, perforated	01074194
7	Leg kit, 6" (15.3 cm), adjustable, for freestanding units – set of 4	502088
Not shown	Single leg, for freestanding units	502298
Not shown	Drain fitting, plastic, ice machine, freestanding units (includes screws)	00109728
Not shown	Cord and plug, power, dispenser	01027648
8	Clean switch, SensorSAFE	502359
Not shown	Cord and plug, bin signal, freestanding dispensers, 3 ft	01074210
Not shown	Caster	502805
Not shown	Grille, drain pan, case of 12	01071232
Not shown	Tubing, bin drain	01047562
Not shown	Cord and plug, power, FB units, dispenser box to ice machine box	01074848
9	Screw, knurled, 1/4-20 x 1"	01059855

## Wheel motor and drive system



Reference #	Description	Part #
1	Wheel motor, 120V, 60Hz	501861
2	Washer, thrust	501026
3	Shaft, drive (includes key and stud)	501619
4	Fan blade, wheel motor	501607
Not shown	Chain, pitch 67, link	00168781
5	Sprocket, drive shaft, 35T (includes drive shaft key)	502692
6	Sprocket, wheel motor, 10T	501019
7	Bearing, drive shaft	501024
Not shown	Connecting link, chain	500799
8	Key, drive shaft	500367
9	Key, wheel motor	205991
10	Dispenser drive assembly (parts 1-9 above)	00192971

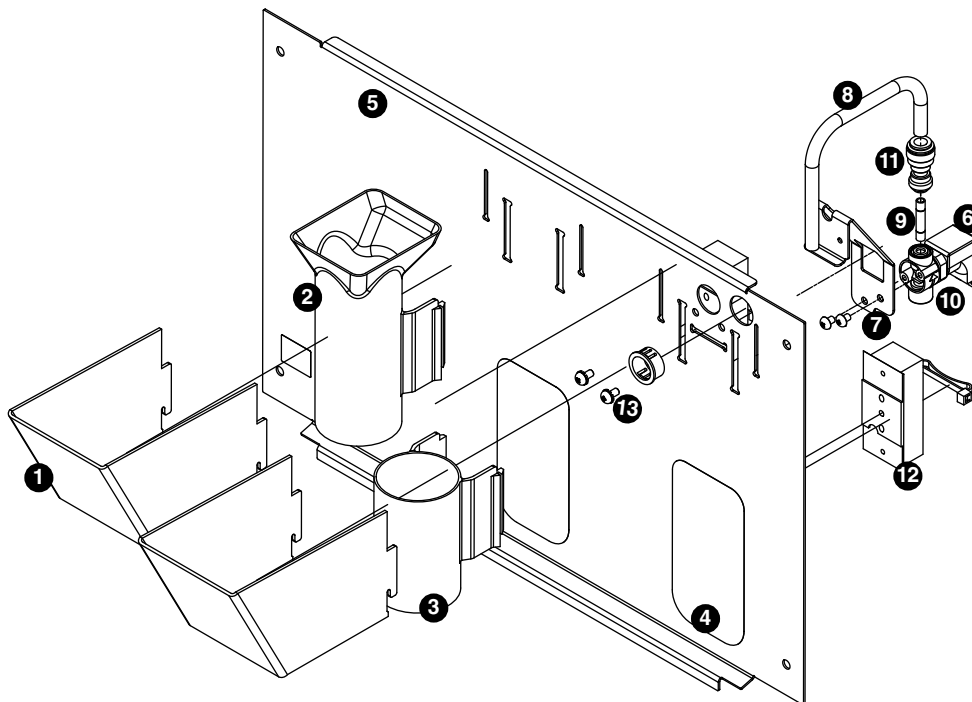
## Dispense chute and splash panel (models with lever dispensing)



Reference	Description	Part #
1	Fastener, 10-32 x 3/8" stainless steel	00982421
2	Tube, water station	502356
3	Cover, dispense chute	502681
4	Switch, dispense, lever actuated (includes 501841)	502359
5	Bracket, lever and water solenoid (After S/N L78614)	01352574
6	Bracket, lever	00958793
7	Lever, dispense	00976845
8	Chute, ice (with Agion® antimicrobial product protection <sup>1</sup> )	01041201
9	Chute, water (with Agion)	01042266
10	Solenoid assembly, water, 120V 60Hz (includes solenoid valve, mounting bracket, outlet fittings, dispense tube) (After S/N L78614)	01352608
11	Tube, connector, 1/4" stainless steel (After S/N L78614)	01352517
12	Fitting, 1/4" tube to 3/8" tube (After S/N L78614)	01230671
13	Solenoid valve, water, 120 V, 60Hz (After S/N L78614)	01352483
14	Boot, dispense switch button	501841
15	Splash panel, lever dispense	01038603
Not shown	Tubing, water station, thermoplastic, 1/4" OD (sold by the foot)	502079
Not shown	Splash panel, lever dispense complete assembly (After S/N L78614)	01352681

<sup>1</sup> Disclaimer: Antimicrobial protection is limited to the treated components and does not treat water or ice.

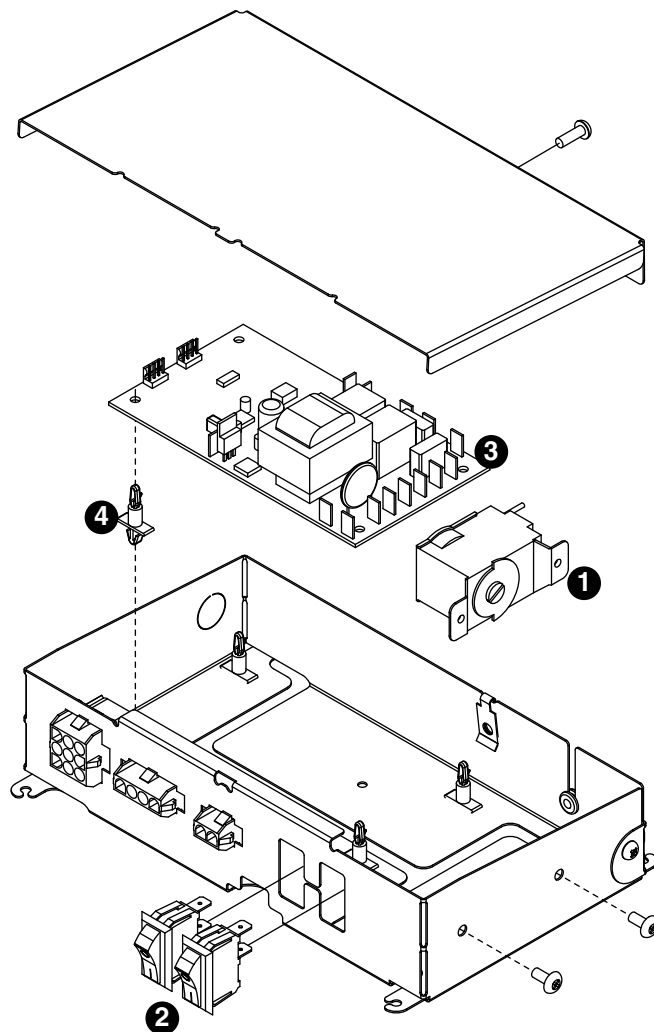
## Dispense chute and splash panel (models with SensorSAFE infrared dispensing)



Reference	Description	Part #
1	Cover, dispense chute	502681
2	Chute, ice (with Agion antimicrobial product protection <sup>1</sup> )	01041201
3	Chute, water (with Agion)	01042266
Not shown	Chute, ice (with Agion® antimicrobial product protection <sup>1</sup> ), wall hung	01040005
Not shown	Chute, water (with Agion), wall hung	00984898
4	Lens, sensor	502690
5	Splash panel, SensorSAFE dispense	01049147
6	Solenoid assembly, water, 120V 60Hz (includes solenoid valve, mounting bracket, outlet fittings, dispense tube) (After S/N L78614)	01352608
7	Bracket, lever and water solenoid	01352574
8	Tube, water station	502356
9	Tube, connector, 1/4" stainless steel (After S/N L78614)	01352517
10	Solenoid valve, water, 120 V, 60Hz	01352483
11	Fitting, 1/4" tube to 3/8" tube (After S/N L78614)	01230671
12	Sensor (includes lens and ty-rap)	00122978
13	Fastener, 10-32 x 3/8" stainless steel	00982421
Not shown	Splash panel, SensorSAFE, complete assembly (After S/N L78614)	01352673

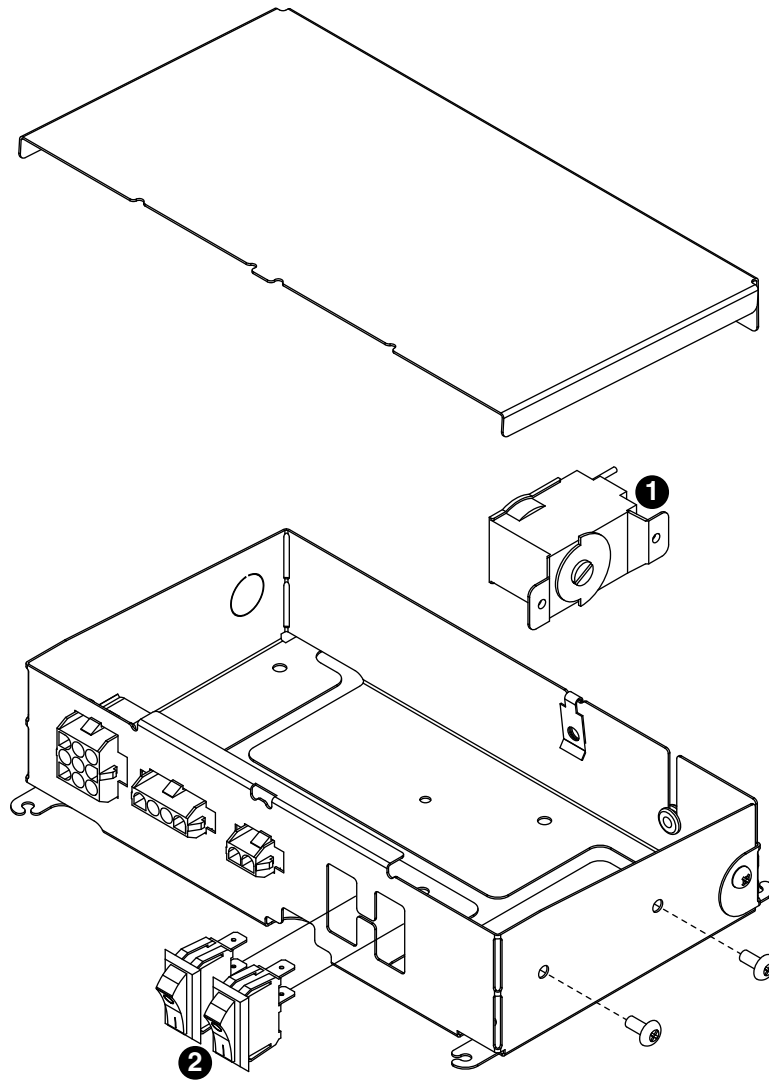
<sup>1</sup> Disclaimer: Antimicrobial protection is limited to the treated components and does not treat water or ice.

## Dispenser electrical box – SensorSAFE models



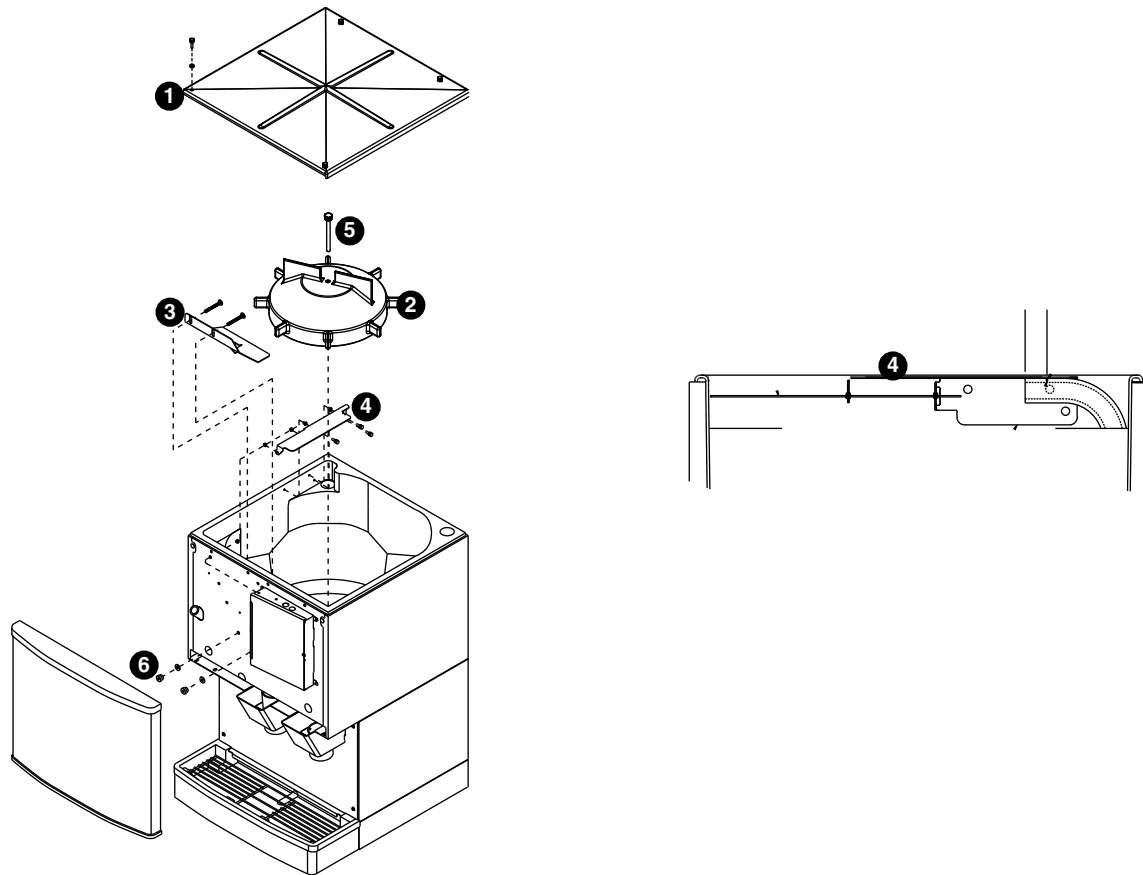
Reference #	Description	Part #
1	Thermostat	500514
2	Switch, dispenser power	502209
2	Switch, ice machine bin signal	502209
3	Board, SensorSAFE	502242
4	Standoff, board (4 required)	501959

## Dispenser electrical box – lever models



Reference #	Description	Part #
1	Thermostat	500514
2	Switch, dispenser power	502209
2	Switch, ice machine bin signal	502209

## Hopper components



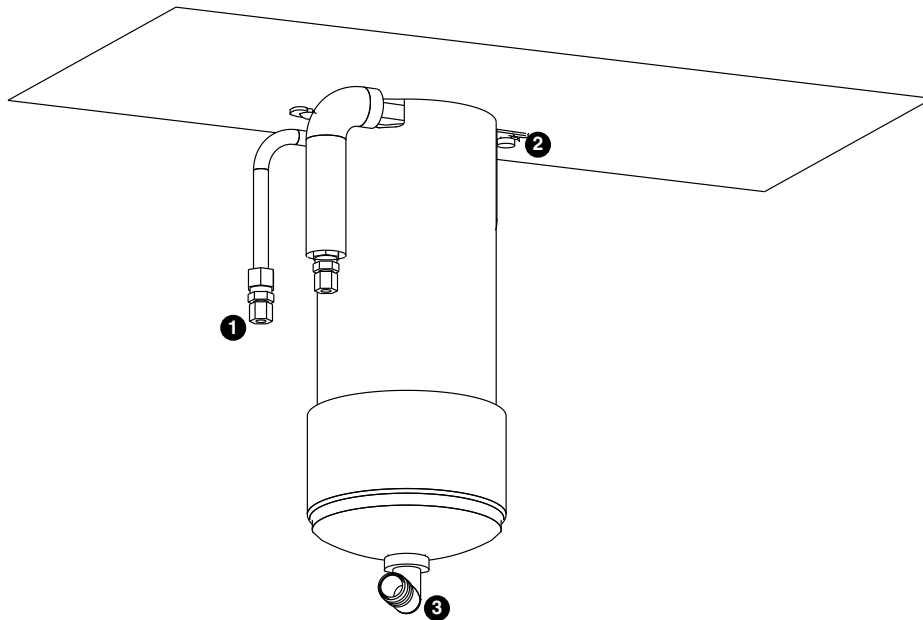
Reference	Description	Part #
1	Lid, bin, secured	01072776
2	Wheel, dispense (includes 501612)	502821
3	Baffle, ice	501608
4	Bracket, ice tube	502712
5	Rod, threaded (includes knurled nut)	501612
6	Screws, knurled	501613



## Ice transport tubing

Reference	Description	Part #
Not shown	Ice transport tube (RIDE units) - 10 ft	502522
Not shown	Ice transport tube (RIDE units) - 20 ft	502523
Not shown	Ice transport tube insulation (RIDE units only) - sold by the foot	501176
Not shown	Ice transport tube assembly (50 FB units)	502328
Not shown	Ice transport tube assembly (25 FB units)	502329

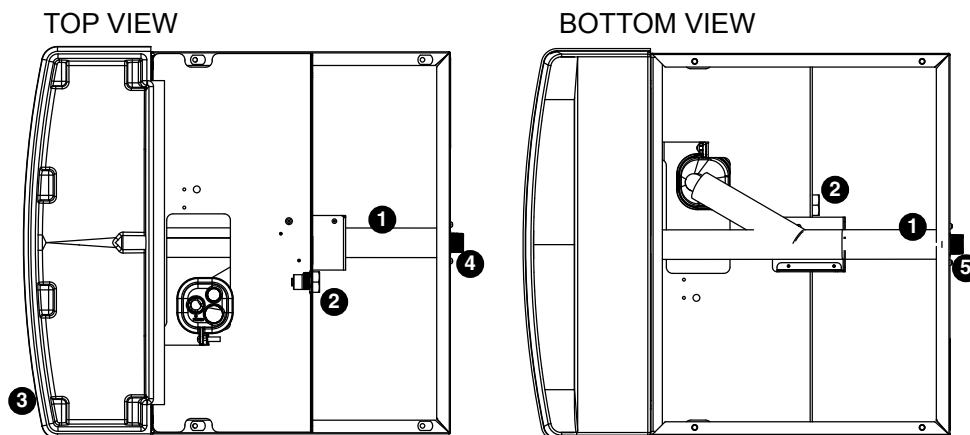
## Chilled water components



Reference	Description	Part #
1	Fitting, water coil	502599
2	Brackets, chilled water canister, pair (includes screws)	502600
3	Elbow, drain	502605
Not shown	Assembly, chilled water	01074129
Not shown	Coil, chilled water (includes two 502599)	01074111
Not shown	Tubing	01055011

## Dispenser plumbing connections

25/50FB



Reference	Description	Part #
1	Drain tube assembly, includes drain cup	01072842
2	Fitting, water inlet	01065275
3	Drain pan	502682
4	Fitting, drain, 3/4" barb x 3/4" MPT	00109728
Not shown	Valve, water shut-off	01035526
Not shown	Grille, drain pan	01050277
Not shown	Tee, water inlet	502923
Not shown	Diverter, overflow, drain cup, 25/50FB	01449628

Reference #	Description	Part #
<b>Standard capacity filter system</b>		
Not shown	Follett QC4-FL4S water filter system (includes FL4S primary cartridge and head, coarse pre-filter and head, pressure gauge, flushing valve; assembled and installed on mounting bracket), one per ice machine	00130229
Not shown	Follett FL4S primary replacement cartridge	00130245
Not shown	Water filter cartridge – primary, carton of 6	00954297
Not shown	Everpure coarse pre-filter cartridge	00130211
Not shown	Water pre-filter cartridge – pre-filter, carton of 12	00954305
<b>High capacity filter system</b>		
Not shown	High capacity water filter system (one per ice machine)	00978957
Not shown	High capacity water filter cartridge – primary, single	00978965
Not shown	High capacity water filter cartridge – primary, carton of 6	00978973
Not shown	Water pre-filter cartridge – pre-filter, single	00130211
Not shown	Water pre-filter cartridge – pre-filter, carton of 12	00954305
<b>Carbonless high capacity filter system</b>		
Not shown	Carbonless high capacity water filter system (one per ice machine) – Horizon and Maestro series ice machines	01050442
Not shown	Carbonless high capacity water filter cartridge – primary, single	01050426
Not shown	Carbonless high capacity water filter cartridge – primary, carton of 6	01050434
Not shown	Water pre-filter cartridge – pre-filter, single	00130211
Not shown	Water pre-filter cartridge – pre-filter, carton of 12	00954305
<b>Other filtration</b>		
Not shown	Claris hardness removal filtration system	00986059
Not shown	Replacement filter for Claris system	00985127
Not shown	Reverse osmosis system, 200 gallons per day	00986034
Not shown	Replacement reverse osmosis cartridge	00985085
Not shown	Replacement reverse osmosis pre-filter	00985077
Not shown	Cleaning plug for reverse osmosis system	00985119
Not shown	Cleaning cartridge for reverse osmosis system	00985101
<b>Water pressure</b>		
Not shown	Water pressure regulator (25 psi)	501781
<b>Cleaning</b>		
Not shown	SafeClean Plus, case of 6	01149954
Not shown	SafeClean Plus, case of 24	01149962
Not shown	Sponge, sanitary, each	00131524
<b>IMS-II or IMS-III sanitizing concentrate</b>		
Not shown	16 oz. bottle	00979674
	Case of 12 x 16 oz. bottles	01038652
	Sponge, sanitary, pack of 24	01075431

## Warranty Registration and Equipment Evaluation

Thank you for purchasing Follett® equipment. Our goal is to deliver high value products and services that earn your complete satisfaction by delivering high-value products and services backed by outstanding customer and technical support.

Please review the installation instructions thoroughly. It is important that the installation be performed to factory specifications so your equipment operates at its maximum efficiency.

Follett LLC will not be liable for any consequential damages, expenses, connecting or disconnecting charges, or any losses resulting from a defect of the machine. For full warranty details, visit our website [www.follettice.com/productwarranties](http://www.follettice.com/productwarranties).

Registering your equipments helps Follett track your equipment's service history should you need to contact us for technical support, and your feedback helps us improve our products and services. Please visit [www.follettice.com/support](http://www.follettice.com/support) to complete the Warranty Registration form.

Should you have any questions, please contact Follett's technical support group at (877) 612-5086 or (610) 252-7301 and we will be happy to assist you.

Calgon is a licensed trademark distributed by Nu-Calgon, in the United States.  
Agion is a registered trademark of Agion Technologies, Inc, Wakefield, MA, USA.  
SafeCLEAN, SaniSponge, SensorSAFE, and Symphony Plus are trademarks of Follett Products LLC.  
Follett is a registered trademarks of Follett Products LLC, registered in US.