

StarMax[®] GAS CHARBROILER

MODEL

6015CBF, 6115RCBF

6024CBF, 6124RCBF

6036CBF, 6136RCBF

6048CBF, 6148RCBF

Installation and Operation Instructions

2M-Z16002 Rev. A 4/01/13



6136RCBF



SAFETY SYMBOL



These symbols are intended to alert the user to the presence of important operating and maintenance instructions in the manual accompanying the appliance.

RETAIN THIS MANUAL FOR FUTURE REFERENCE NOTICE

Using any part other than genuine Star factory supplied parts relieves the manufacturer of all liability.

Star reserves the right to change specifications and product design without notice. Such revisions do not entitle the buyer to corresponding changes, improvements, additions or replacements for previously purchased equipment.

Due to periodic changes in designs, methods, procedures, policies and regulations, the specifications contained in this sheet are subject to change without notice. While Star International Holdings Inc., Company exercises good faith efforts to provide information that is accurate, we are not responsible for errors or omissions in information provided or conclusions reached as a result of using the specifications. By using the information provided, the user assumes all risks in connection with such use.

MAINTENANCE AND REPAIRS

Contact your local authorized service agent for service or required maintenance.

Please record the model number, serial number, voltage and purchase date in the area below and have it ready when you call to ensure a faster service.

Model No. _____
Serial No. _____
Voltage _____
Purchase Date _____

Authorized Service Agent Listing

Reference the listing provided with the unit

or

for an updated listing go to:

Website: www.star-mfg.com
E-mail customerservice@star-mfg.com

Service Help Desk

Business Hours: 8:00 am to 4:30 p.m. Central Standard Time

Telephone: (314) 678-6303

Fax: (314) 781-2714

E-mail customerservice@star-mfg.com

Website: www.star-mfg.com

Mailing Address: Star International Holdings Inc., Company
10 Sunnen Drive
St. Louis, MO 63143
U.S.A

Specifications									
Model	Controls	Cooking Surface	BTU/HR		Weight		Dimensions		
			NAT	LP	Installed	Shipping	Width	Depth	Height
Manual Control, Lava Rock									
6015CBF	1	300 sq in (1935 sq cm)	40,000	35,000	87 lbs (39.5kg)	95 lbs (43.2 kg)	15" (38.1 cm)	29." (65.4 cm)	15.5" (48 cm)
6024CBF	2	480 sq in (3097 sq cm)	80,000	70,000	149 lbs (67.7 kg)	164 lbs (74.5 kg)	24" (61 cm)		
6036CBF	3	720 sq in (4645 sq cm)	120,000	105,000	236 lbs (107.3 kg)	256 lbs (116.4 kg)	36" (91.4 cm)		
6048CBF	4	960 sq in (6194 sq cm)	160,000	140,000	323 lbs (146.8 kg)	348 lbs (158.2 kg)	48" (122 cm)		
Manual Control, Radiant									
6115RCBF	1	300 sq in (1935 sq cm)	40,000	35,000	80 lbs (36.4 kg)	88 lbs (40 kg)	15" (38.1 cm)	29." (65.4 cm)	15.5" (48 cm)
6124RCBF	2	480 sq in (3097 sq cm)	80,000	70,000	140 lbs (63.5 kg)	155 lbs (70.3 kg)	24" (61 cm)		
6136RCBF	3	720 sq in (4645 sq cm)	120,000	105,000	220 lbs (100 kg)	240 lbs (109 kg)	36" (91.4 cm)		
6148RCBF	4	960 sq in (6194 sq cm)	160,000	140,000	300 lbs (136 kg)	325 lbs (147.7 kg)	48" (122 cm)		



GENERAL INSTALLATION DATA

This equipment is designed and sold for commercial use only by personnel trained and experienced in its operation and is not sold for consumer use in and around the home nor for use directly by the general public in food service locations.

The Star-Max™ series gas charbroiler is equipped for the type of gas indicated on the nameplate mounted on the front panel. All units are shipped from the factory for use with natural gas. The unit can easily be converted for use with propane gas: see propane gas.

-IMPORTANT-

INSTALL IN NON-COMBUSTIBLE LOCATIONS ONLY! Clearance from non-combustible construction must be 6" from back and sides.

The installation of the Appliance must conform to the NATIONAL FUEL GAS CODE "ANSI Z223.1 - LATEST EDITION" AND ALL LOCAL GAS COMPANY RULES AND REGULATIONS.

IN CANADA INSTALLATION SHALL BE IN ACCORDANCE WITH THE CURRENT CAN/CGA-B149.1 NATURAL GAS INSTALLATION CODE OR CAN/CGA-B149.2 PROPANE INSTALLATION CODE AND LOCAL CODES WHERE APPLICABLE.

WARNING: Improper installation, adjustment, alteration, service or maintenance can cause property damage, injury or death. Read the installation, operating and maintenance instructions thoroughly before installing or servicing the equipment.

FOR YOUR SAFETY

Do not store or use gasoline or other flammable vapors and liquids in the vicinity of this or any other appliance. Keep the appliance area clear and free from combustibles.

For your protection, we recommend a qualified installing agency install this appliance. They should be familiar with gas installations and your local gas requirements. In any case, your gas company should be called to approve the final installation. In addition, there should be posted, in a prominent location, detailed instructions to be followed in the event the operator smells gas. Obtain the instructions from the local gas supplier.

This appliance, its pressure regulator and its individual shutoff valve must be disconnected from the gas supply piping system during any pressure testing of that system at test pressures in excess of 1/2 PSIG. This appliance and its pressure regulator must be isolated from the gas supply piping system by closing its individual manual shutoff valve during any pressure testing of the gas supply piping system at test pressures equal to or less than 1/2 PSIG.

EXHAUST CANOPY

Open hearth broilers inherently create a good deal of heat and smoke and should be installed under an efficient exhaust hood with flame proof filters. A vertical distance of not less than 48" shall be provided between the top of the appliance and filters or any other combustible material. Exhaust installation must conform to local codes.

AIR SUPPLY

Provisions for adequate air supply must be provided.

LEVELING UNIT

This charbroiler is supplied with 4 feet which must be screwed into the body. Level unit by adjusting the (4) feet which have an adjustment of 1-3/4" for accurate and perfect line-up with other units.

DO NOT INSTALL WITHOUT ATTACHING FEET - DO NOT REMOVE FEET.

GAS PIPING

Gas piping shall be of such size and so installed as to provide a supply of gas sufficient to meet the full gas input of the appliance. If the appliance is to be connected to existing piping, it shall be checked to determine if it has adequate capacity. Joint compound shall be used sparingly and only on the male threads of the pipe joints. Such compounds shall be resistant to the action of L.P. gases.

WARNING: Any loose foreign material, debris, or metal particles allowed to enter the gas lines on this appliance will damage the valve and affect its operation. When installing this appliance, all pipe and fittings must be free from all internal loose dirt.

GAS PRESSURE REGULATOR

A convertible pressure regulator is provided with each charbroiler. It should be connected to the inlet pipe at the rear of the unit. The gas supply is then connected to it. It is shipped set for 6" water column manifold pressure for use with natural gas, and 10" water column manifold pressure for use with propane gas. Allow 6" clearance from back of unit to wall for servicing and installation.

MANUAL SHUT OFF VALVE

A manual shut off valve should be installed upstream from the manifold and within six feet of the charbroiler.

CONNECTING GAS SUPPLY LINE

The gas inlet of the charbroiler is sealed at the factory to prevent entry of dirt. Do not remove this seal until the actual connection is made to the gas supply line.

CONVERT TO PROPANE GAS

If your charbroiler is equipped with fixed orifice hoods and is shipped from the factory for use with natural gas, and you wish to convert to propane gas. Follow these steps, install the burner orifice hoods, included with the unit, as follows:

1. Remove grill, radiants and burners.
2. Remove the burner orifice hoods and install the orifice hoods supplied.
3. Replace the burners, radiants, and grill.
4. Set manifold pressure to (10) inch water column. A 1/8" pipe plug on the burner manifold can be removed for attaching a pressure gauge. Remove the slotted, or hex-threaded plug from the pressure regulator. Invert the plug and re-install. The letters "LP" should now be visible on the plug. The regulator is now set for 10" (25.4 cm) water column. Attach the conversion label, supplied with the unit, close to the nameplate.

CONVERT TO NATURAL GAS

If your charbroiler is equipped with fixed orifice hoods and is shipped from the factory for use with propane gas, and you wish to convert to natural gas. Follow these steps, install the burner orifice hoods, located in the grease drawer, as follows:

1. Remove grill, radiants and burners.
2. Remove the burner orifice hoods and install the orifice hoods (not supplied).
3. Replace the burners, radiants, and grill.
4. Set manifold pressure to (6) inch water column. A 1/8" pipe plug on the burner manifold can be removed for attaching a pressure gauge. Remove the slotted, or hex-threaded plug from the pressure regulator. Invert the plug and re-install. The letters "NAT" should now be visible on the plug. The regulator is now set for 6" (15.24 cm) water column.



CHECKING FOR GAS LEAKS

Check entire piping system for leaks. Soap and water solution or other material acceptable for the purpose shall be used in locating gas leakage.

Matches, candle flame or other sources of ignition shall not be used for this purpose.

PILOT LIGHTING INSTRUCTIONS

The unit is equipped with standing pilots, and should be lit immediately after the gas is turned on.

1. Turn off main valve to unit.
2. Turn off all knobs and pilot valves and wait 5 minutes to clear gas.
3. Turn on main valve and light all pilots. The best access to the pilot is obtained from the bottom with the grease drawer removed.
4. Adjust pilot light flames as small as possible, but high enough to light burner immediately when burner valve is turned on high.
5. Turn burner knobs to desired setting.
6. To turn burners off, turn knobs off.



CAUTION

SHUTTING DOWN INSTRUCTIONS

Turn the burner valve knobs to the off position to turn burners off.

BURNER IGNITION AND ADJUSTMENT

1. To ignite burners turn burner valve knob to "HI" position.
2. Slowly decrease openings of air shutters on burners to give a soft blue flame having luminous tips, then slowly increase openings to a point where the yellow tips disappear and a hard blue flame is obtained.

PLACING LAVA ROCK ON GRATES (*FOR 60--CBD SERIES*)

Open the lava rock bags and place rock evenly on grates. Do not cover the grates with more than two layers of lava rock. **DO NOT PUT MORE THAN 5 LBS. OF ROCK PER BURNER!**

PLACING RADIANTS (*FOR 61--RCBD SERIES*)

After the unit is unpacked and installed, place 2 radiants above each burner. Install each radiant engaging the notches on the top assembly. Refer to the exploded view in this manual for orientation of the radiants.

BURNER OPERATION

Each burner is controlled by an individual high-low, on-off valve. An infinite number of broiling temperatures may be obtained by turning the burner valve knob to any position between high and low. It is possible through this arrangement to have a high heat or searing section, while having a low heat finishing or holding section. For the searing operation, set the valves for the section at a position of "HI" or close to it. For holding or finishing, set the valves closer to the "LOW" position on the dial. You select the heat pattern you like, and set the valves accordingly.

GENERAL OPERATING INSTRUCTIONS

WATER PAN / DRIP TRAY

The water pan is located at the bottom of the unit, and is easily removed from the front of the unit. Water should be added to the water pan and replaced as necessary. The water pan helps prevent flare ups and catches grease.

LIGHTING

When broiler is first lit, it will smoke for approximately 20-30 minutes until the preservation oils and impurities are burned off.

SEASONING THE COOKING GRATES

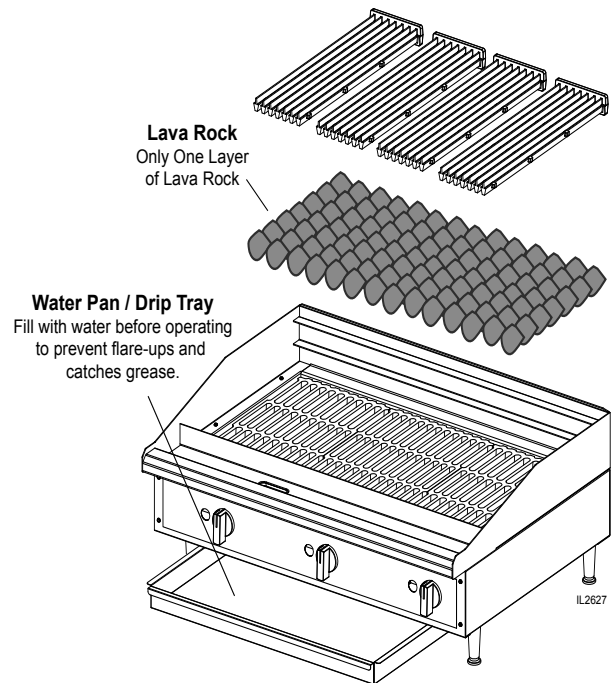
Set the heat control switch to the low position and preheat for about 15 to 20 minutes. Using a cloth, spread a thin film of cooking oil over the top of the grate surface. Allow the film to remain on the grate for about 5 minutes. Wipe the surface clean and apply another film of cooking oil. Wipe the surface clean again. The broiler is now ready for use. The oil may tend to smoke - this is normal.

BROILING

Turn valves on and pre-heat unit on "HI" before attempting to broil. You will have to experiment with the grill settings and the valve settings for your particular food products. We recommend that you set the grate at the full tilt position to start. This position allows the grease to run down the grate into the grease tray, reducing flare ups. Check water pans frequently and add a sufficient amount of water when necessary. Hot water vapors rising from the water pans and through the combustion chamber helps reduce flare ups. Exercise care when using your broiler.

TILTING THE GRATE

Raise or lower the grate to the next step by lifting the grate at the back of the charbroiler where the grate rests. Use potholders or gloves to reposition.



CHARBROILERS ARE HOT! NEVER ATTEMPT TO CHANGE THE GRATE POSITION WHILE FOOD PRODUCTS ARE COOKING. FLARE UPS CAN OCCUR UNEXPECTEDLY. TURN OFF THE CHARBROILER AND ALLOW IT TO COOL.

CLEANING

Clean regularly. Remove grate section to sink for washing. Brush out carboned particles. Remove and wash water pan. Wipe exterior surfaces with detergent and a cloth. A non-abrasive cleaner can be used on caked areas.



AIR INTAKES IN BOTTOM

Air for combustion enters from the bottom of the unit.

Do not obstruct this area.

PROPER CARE AND OPERATION OF LAVA ROCK CHAR BROILERS

Deteriorated lava rocks, food and debris build-up, and excessive lava rock will cause heat build-up in the char-broiler, which will damage the burners and grates.

Follow these cleaning and care instructions:

1. Place no more than 5 pounds (1 bag) of lava rock per 1' foot section.
2. Remove the cooking grate daily and clean off any build up debris from the top of the lava rock.
3. Lava rock breaks down over time and will need to be replaced. It is recommended to replace the lava rock every three to six months.
4. Keep the water pan filled with water during use to avoid flare-up and easier cleaning.

Visit our Website at: www.star-mfg.com

Email: customerservice@star-mfg.com

THOROUGHLY INSPECT YOUR UNIT ON ARRIVAL

This unit has been tested for proper operation before leaving our plant to insure delivery of your unit in perfect condition. However, there are instances in which the unit may be damaged in transit. In the event you discover any type of damage to your product upon receipt, you must immediately contact the transportation company who delivered the item to you and initiate your claim with same. If this procedure is not followed, it may affect the warranty status of the unit.

LIMITED EQUIPMENT WARRANTY

All workmanship and material in Star products have a one (1) year limited warranty on parts & labor in the United States and Canada. Such warranty is limited to the original purchaser only and shall be effective from the date the equipment is placed in service. Star's obligation under this warranty is limited to the repair of defects without charge, by the factory authorized service agency or one of its sub-agencies. Models that are considered portable (*see below*) should be taken to the closest Star service agency, transportation prepaid.

- > Star will not assume any responsibility for loss of revenue.
- > On all shipments outside the United States and Canada, see International Warranty.
- * The warranty period for the Ultra-Max, Hot Plates, Griddles, Charbroilers is (3) years parts & labor.
- * The warranty period for the Star-Max, Charbroilers, Griddles, Hot Plates, Fryers & Finishing Oven is (2) years parts & labor.
- * The warranty period for the JetStar six (6) ounce & Super JetStar eight (8) ounce series popcorn machines is two (2) years.
- * The warranty period for the Chrome-Max Griddles is five (5) years on the griddle surface. See detailed warranty provided with unit.
- * The warranty period for Dura-Tec coatings is one year under normal use and reasonable care. This warranty does not apply if damage occurs to Dura-Tec coatings from improper cleaning, maintenance, use of metallic utensils, or abrasive cleaners, abrasive pads, product identifiers and point-of-sale attachments, or any other non-food object that comes in continuous contact with the roller coating. This warranty does not apply to the "non-stick" properties of such materials.
- > This warranty does not apply to "Special Products" but to regular catalog items only. Star's warranty on "Special Products" is six (6) months on parts and ninety (90) days on labor.
- > This warranty does not apply to any item that is disassembled or tampered with for any purpose other than repair by a Star Authorized Service Center or the Service Center's sub-agency.
- > This warranty does not apply if damage occurs from improper installation, misuse, wrong voltage, wrong gas or operated contrary to the Installation and Operating instructions.
- > This warranty is not valid on Conveyor Ovens *unless* a "start-up/check-out" has been performed by a Factory Authorized Technician.

PARTS WARRANTY

Parts that are sold to repair out of warranty equipment are warranted for ninety (90) days. The part only is warranted, the labor to replace the part is **NOT** warranted.

SERVICES NOT COVERED BY WARRANTY

1. Travel time and mileage rendered beyond the 50 mile radius limit
2. Mileage and travel time on portable equipment (*see below*)
3. Labor to replace such items that can be replaced easily during a daily cleaning routine, ie; removable kettles on fryers, knobs, grease drawers on griddles, etc.
4. Installation of equipment
5. Damages due to improper installation
6. Damages from abuse or misuse
7. Operated contrary to the Operating and Installation Instructions
8. Cleaning of equipment
9. Seasoning of griddle plates
10. Voltage conversions
11. Gas conversions
12. Pilot light adjustment
13. Miscellaneous adjustments
14. Thermostat calibration and by-pass adjustment
15. Resetting of circuit breakers or safety controls or reset buttons
16. Replacement of bulbs
17. Replacement of fuses
18. Repair of damage created during transit, delivery, & installation OR created by acts of God

PORTABLE EQUIPMENT

Star will not honor service bills that include travel time and mileage charges for servicing any products considered "Portable" including items listed below. These products should be taken to the Service Agency for repair:

- * The Model 510FD, 510FF Fryer.
- * The Model 526TOA Toaster Oven.
- * The Model J4R, 4 oz. Popcorn Machine.
- * The Model 518CMA & 526CMA Cheese Melter.
- * The Model 12MC & 15MC & 18MCP Hot Food Merchandisers.
- * The Model 12NCPW & 15NCPW Nacho Chip/Popcorn Warmer.
- * All Hot Dog Equipment **except Roller Grills & Drawer Bun Warmers.**
- * All Nacho Cheese Warmers **except Model 11WLA Series Nacho Cheese Warmer.**
- * All Condiment Dispensers **except the Model HPD & SPD Series Dispenser.**
- * All Specialty Food Warmers **except Model 130R, 11RW Series, and 11WSA Series.**
- * All QCS/RCS Series Toasters **except Model QCS3 & RCS3 Series.**
- * All Fast Steamer Models **except Direct Connect Series.**

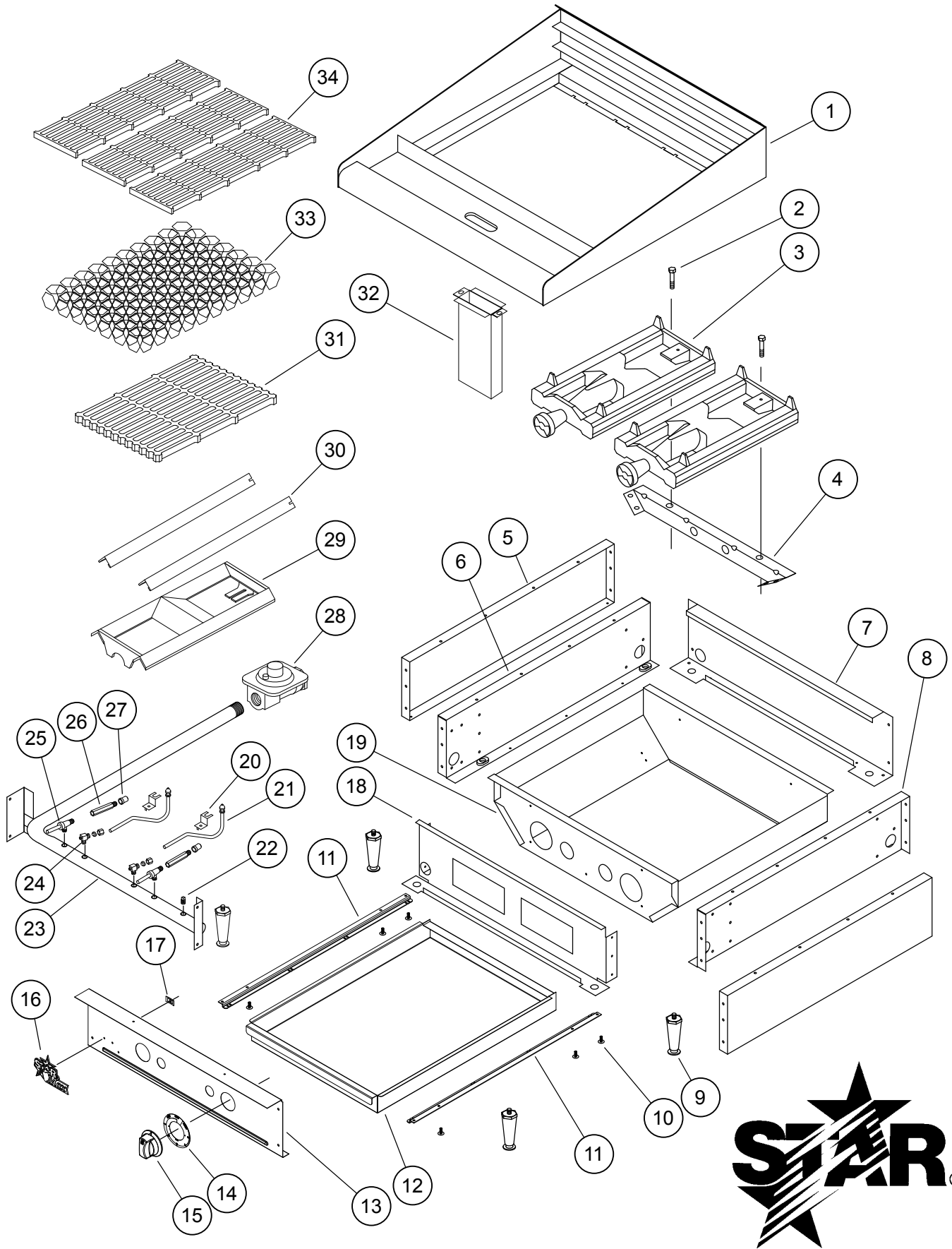
ALL:

- * Pop-Up Toasters
- * Butter Dispensers
- * Pretzel Merchandisers
(Model 16PD-A Only)
- * Pastry Display Cabinets
- * Nacho Chip Merchandisers
- * Accessories of any kind
- * Sneeze Guards
- * Pizza Ovens
(Model PO12 Only)
- * Heat Lamps
- * Pumps-Manual

The foregoing warranty is in lieu of any and all other warranties expressed or implied and constitutes the entire warranty.

FOR ASSISTANCE

Should you need any assistance regarding the Operation or Maintenance of any Star equipment; write, phone, fax or email our Service Department. In all correspondence mention the Model number and the Serial number of your unit, and the voltage or type of gas you are using.



MODEL 6124RCBF, 6024CBF

STAR MANUFACTURING INTERNATIONAL, INC.
SK2592 REV - 6-4-12

PARTS LIST

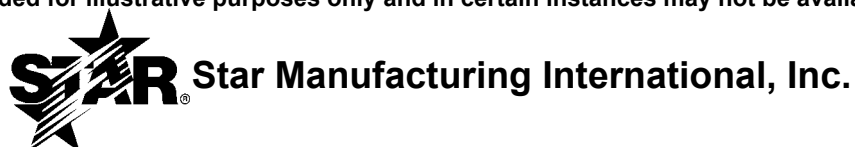
April 01, 2013, Rev. A

Model: Gas Charbroiler Radiant (RCBF) & Lava Rock (CBF), 15", 24", 36", 48"				
Fig No	Part No.	Qty	Description	Application
1	H3-611505	1	TOP ASSEMBLY	6115, 6015
	H3-612405			6124, 6024
	H3-613605			6136, 6036
	H3-614805			6148, 6048
2	2C-Z3154	1/2/3/4	BOLT 1/4 - 20 x 1-3/4	ALL 15-INCH / 24-INCH / 36-INCH / 48-INCH
3	2F-Z3035	1/2/3/4	BURNER	ALL 15-INCH / 24-INCH / 36-INCH / 48-INCH
4	H3-Z6067	2	BURNER BRACKET	6115, 6015
	H3-Z6068			6124, 6024
	H3-Z6069			6136, 6036
	H3-Z6070			6148, 6048
5	G3-Z5945	2	SIDE PANEL	ALL
6	G3-624302	1	SIDE LINER ASSEMBLY LEFT	ALL
7	H3-Z6053	1	REAR PANEL	6115, 6015
	H3-Z6055			6124, 6024
	H3-Z6057			6136, 6036
	H3-Z6058			6148, 6048
8	G3-624303	1	SIDE LINER ASSEMBLY RIGHT	ALL
9	2A-Z5942	4	FOOT	ALL
10	2C-8823	Various	SCREW #8 x 3/8 HEX	ALL
11	G3-Z6036	2	DRAWER SLIDE	6015, 6115, 6024, 6124, 6036, 6136
	G3-Z6036	4		6148, 6048
12	H3-Z6481	1	WATER PAN / GREASE DRAWER	6115, 6015
	H3-Z6482	1/1/2/2		6124 / 6024 / 6148 / 6048
	H3-Z6483	1		6136, 6036
13	H3-Z15710	1	FRONT PANEL	6115, 6015
	H3-Z15711			6124, 6024
	H3-Z15712			6136, 6036
	H3-Z15741			6148, 6048
14	2M-Z15449	1/2/3/4	KNOB LABEL MAN LG	ALL 15-INCH / 24-INCH / 36-INCH / 48-INCH
15	I4-Z15484	1/2/3/4	KNOB ASSY LG GAS KEYB	ALL 15-INCH / 24-INCH / 36-INCH / 48-INCH
16	2M-Z15804	1	STAR-MAX LOGO	ALL
17	2C-8477	3	CLIP .125 PO STL PHOS	ALL

**IMPORTANT: WHEN ORDERING, SPECIFY VOLTAGE OR TYPE GAS DESIRED
INCLUDE MODEL AND SERIAL NUMBER**

PAGE 1
OF 2

Some items are included for illustrative purposes only and in certain instances may not be available.



PARTS LIST

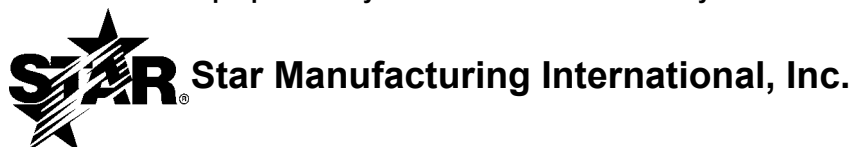
April 01, 2013, Rev. A

Model: Gas Charbroiler Radiant (RCBF) & Lava Rock (CBF), 15", 24", 36", 48"				
Fig No	Part No.	Qty	Description	Application
18	H3-Z6043	1	CENTER WALL	6115, 6015
	H3-Z6045			6124, 6024
	H3-Z6047			6136, 6036
	H3-Z6048			6148, 6048
19	H3-611500	1	LINER ASSEMBLY	6115, 6015
	H3-612400			6124, 6024
	H3-613600			6136, 6036
	H3-614800			6148, 6048
20	I5-Z5463	1/2/3/4	PILOT BRACKET	ALL 15-INCH / 24-INCH / 36-INCH / 48-INCH
21	2K-Z6192	1/2/3/4	PILOT BURNER	ALL 15-INCH / 24-INCH / 36-INCH / 48-INCH
22	2P-1453	1	PIPE PLUG	ALL
23	2K-Z6049	1	MANIFOLD	6115, 6015
	2K-Z6050			6124, 6024
	2K-Z6051			6136, 6036
	2K-Z6052			6148, 6048
24	2V-6671	1/2/3/4	PILOT VALVE	ALL 15-INCH / 24-INCH / 36-INCH / 48-INCH
25	2V-Y8832	1/2/3/4	MANUAL VALVE	ALL 15-INCH / 24-INCH / 36-INCH / 48-INCH
26	2A-Z3010	1/2/3/4	ORIFICE EXTENDER	ALL 15-INCH / 24-INCH / 36-INCH / 48-INCH
27	2J-Z3032	1/2/3/4	ORIFICE NATURAL #36	ALL 15-INCH / 24-INCH / 36-INCH / 48-INCH
	2J-Z3033		ORIFICE PROPANE #50	ALL 15-INCH / 24-INCH / 36-INCH / 48-INCH
28	2J-Z0792	1	PRESSURE REGULATOR	ALL
29	2F-Z3036	1/2/3/4	BURNER COVER	6015 / 6024 / 6036 / 6048
30	H3-Z15960	2/4/6/8	RADIANT	6115 / 6124 / 6136 / 6148
31	2F-Z3077	2/2/2	GRATE LAVA ROCK 10 1/2" X 17 1/16"	6024 / 6036 / 6048
	2F-Z3078	1/1/2	LAVAROCK GRATE 12" X 17 1/16"	6015 / 6036 / 6048
32	G3-615304	1	CHUTE ASSEMBLY	6115, 6015
	G3-624304	1	CHUTE ASSEMBLY	6024, 6124, 6036, 6136, 6048, 6148
33	2F-Y7193	1/2/3/4	LAVA ROCK 2"	6015 / 6024 / 6036 / 6048
34	2F-Y8830	2/4/6/8	GRATE CHARBROILER 6"	ALL 15-INCH / 24-INCH / 36-INCH / 48-INCH
	H3-Y8831	1	GRATE CHARBROILER 3"	6015, 6115
NA	H3-Z6071	1	LINER DIVIDER	6148, 6048

**IMPORTANT: WHEN ORDERING, SPECIFY VOLTAGE OR TYPE GAS DESIRED
INCLUDE MODEL AND SERIAL NUMBER**

PAGE 2
OF 2

Some items are included for illustrative purposes only and in certain instances may not be available.



INSTRUCTIONS DE FONCTIONNEMENT

BAC À EAU

Le bac à eau est situé au bas de l'appareil et il est facile à enlever par la partie avant de l'appareil. Il faut ajouter de l'eau au bac et la remplacer tel que nécessaire. Le bac à eau aide à prévenir les flambées et attrape la graisse.

ALLUMAGE

Lors du premier allumage du barbecue, il se formera un nuage de fumée jusqu'à ce que les huiles de protection et les impuretés brûlent.

POUR ASSAISONNER LES GRILLES À CUIRE

Placez le commutateur de commande de la chaleur dans la basse position et le préchauffez pendant 15 à 20 minutes. En utilisant un tissu, répandez une couche mince d'huile au-dessus du dessus de la surface de grille. Laissez le film rester sur la grille pendant 5 minutes. Essuyez l'extérieur nettoient et appliquent un autre film d'huile. Essuyez l'extérieur nettoient encore. Le barbecue est maintenant prêt à être employé. L'huile pourrait fumer - c'est normale.

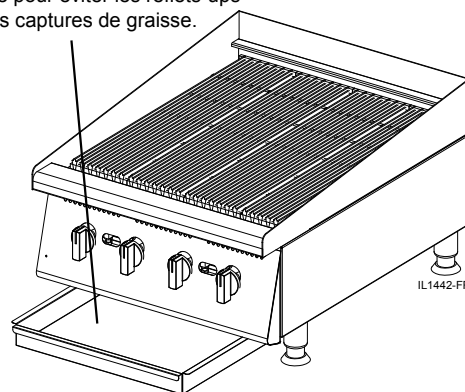
CUISSON SUR LE GRIL

Ouvrir les vannes et préchauffer l'appareil sur «HI» avant de commencer la cuisson sur le gril. Vous devriez expérimenter avec les réglages du gril et les réglages des boutons selon vos spécialités de viande. On vous recommande de régler au début le gril en position inclinée maximale. Cette position permet à la graisse de s'écouler du gril dans le bac à graisse, ce qui réduit les flambées. Vérifier souvent les bacs à eau et ajouter suffisamment d'eau lorsque nécessaire. Les vapeurs d'eau chaude qui s'évaporent des bacs à eau et qui passent à travers la chambre de combustion aident à réduire les flambées. Faire attention lors de l'utilisation du barbecue.

INCLINAISON DU GRILLE

Élever ou abaisser le grille à la position suivante en soulevant le grille à l'arrière du barbecue où repose le grille. Utiliser des maniques ou des gants pour le repositionner.

L'eau Pan / plateau égouttoir
Remplir avec de l'eau avant de mettre en marche pour éviter les reflets-ups et les captures de graisse.



MISE EN GARDE

**LES BARBECUES SONT BRÛLANTS !
NE JAMAIS ESSAYER DE CHANGER**

LA POSITION DU GRIL PENDANT LA CUISSON DES PRODUITS DE VIANDE. DES FLAMBÉES PEUVENT SE PRODUIRE À L'IMPROVISTE. ÉTEIGNER LE BARBECUE ET LE LAISSER SE REFROIDIR.

NETTOYAGE

Nettoyer le barbecue régulièrement. Enlever la section du grille et la laver dans l'évier. Enlever à la brosse les particules carbonisées. Enlever et laver le bac à eau. Nettoyer les surfaces extérieures à l'aide d'un chiffon et d'un détergent. Sur les surfaces encroûtées, on peut utiliser un produit nettoyant non abrasif.

PRISES D'AIR EN BAS

L'air nécessaire à la combustion entre par le bas de l'appareil.



MISE EN GARDE

Ne pas boucher cette section.



MISE EN GARDE

Ne pas utiliser d'allumettes, la flamme d'une chandelle ou d'autres sources d'allumage.

INSTRUCTIONS CONCERNANT LES VEILLEUSES D'ALLUMAGE

Le barbecue est équipé de veilleuses stationnaires et il faut l'allumer dès que le bouton de gaz est ouvert.

1. Éteignez la principale valve à unité.
2. Éteignez tous les boutons et valves du pilote et attendez 5 minutes éclaircir du gaz.
3. Ouvrir le bouton principal et allumer les veilleuses. Le meilleur accès à la lampe témoin est du fond sans tiroir de graisse.
4. Ajustez des flammes de la lumière pilotes aussi petit que possible, mais haut assez allumer le brûleur immédiatement quand la valve du brûleur est allumée haut.
5. Tourner les boutons des brûleurs sur le réglage désiré.
6. Pour éteindre les brûleurs, fermer les boutons.

INSTRUCTIONS POUR ÉTEINDRE LE BARBECUE

Pour éteindre les brûleurs, tourner les boutons des brûleurs sur la position de fermeture.

IGNITION DU BRÛLEUR ET AJUSTEMENT

1. Allumer des brûleurs tournent le bouton de la valve du brûleur à " SALUT " la place.
2. Diminuez lentement l'ouverture des obturateurs d'air sur les brûleurs pour donner une flamme bleue molle, alors lentement ouvertures de l'augmentation à un point où les pointes jaunes disparaissent et une flamme bleue dure est obtenu.

PLAÇANT ROC DE LA LAVE SUR LES FOYERS (POUR 60--CBD SÉRIE)

Ouvrez les sacs du roc de la lave et roc de place sur les foyers également. Ne couvrez pas les foyers avec plus de deux couches de roc de la lave. **NE METTEZ PAS PLUS DE 5 LIVRES DE ROC PAR BRÛLEUR!**

PLAÇANT RADIANTS (POUR 61--RCBD SÉRIE)

Après que l'unité soit déballée et est installée, placez 2 radiants au-dessus de chaque brûleur. Installez chacun radiant en engageant les entailles sur l'assemblée supérieure. Faites référence à la vue explosée dans ce manuel pour orientation du radiants.

L'OPÉRATION DU BRÛLEUR

Chaque brûleur est contrôlé par un individu haut bas, sur fermé valve. Un nombre infini de griller des températures peut être obtenu en devenant le bouton de la valve du brûleur à toute place entre haut et bas. C'est possible à travers cet arrangement pour avoir une haute chaleur ou brûlant section, en ayant une basse chaleur finir ou tenir la section. Pour la brûlant opération, mettez les valves pour la section à une place de " SALUT " ou près de lui. Pour tenir ou finir, mettez les valves plus proche à la " BASSE " place sur le cadran. Vous sélectionnez le modèle de la chaleur que vous aimez, et a mis les valves en conséquence.



NE PAS L'INSTALLER SANS ATTACHER LES PIEDS - NE PAS ENLEVER LES PIEDS.

TUYAUTERIE À GAZ

La taille de la tuyauterie à gaz et la façon dont elle est installée doivent être telles qu'elle fournisse une alimentation suffisante de gaz pour répondre aux exigences d'admission de pleine puissance dans l'appareil. S'il faut raccorder l'appareil à la tuyauterie existante, il faut vérifier cette dernière pour déterminer si elle a la capacité nécessaire. Il ne faut utiliser le composé combiné que modérément et seulement sur les filetages mâles des raccords à tuyaux. Ces composés doivent résister à l'action des gaz propanes.

AVERTISSEMENT: Tous les matériel étranger, débris, ou particules lâches en métal permises d'écrire les lignes de gaz de cet appareil endommagera la vanne et en affectera le fonctionnement. Lors de l'installation de cet appareil, tous les tuyaux et raccords doivent être exempts de toute impureté interne libre.

RÉGULATEUR DE PRESSION DU GAZ

Chaque barbecue est fourni avec un régulateur de pression convertible. Il doit être raccordé au tuyau d'admission à l'arrière de l'appareil. L'alimentation de gaz y est raccordée. Pour l'utilisation au gaz naturel, il est expédié réglé pour une pression d'admission de 6 po. de colonne d'eau. Laisser un jeu de 6 po. entre l'arrière de l'appareil et le mur, pour installation et réparations.

VANNE D'ARRÊT MANUELLE

Il faut installer une vanne d'arrêt manuelle en amont du collecteur et à six pieds près du barbecue.

RACCORD DE LA CANALISATION DE GAZ

L'admission de gaz du barbecue est scellée en usine afin d'empêcher l'entrée des impuretés. N'enlever cette protection que juste avant d'effectuer le raccord à la canalisation de gaz.

GAZ PROPANE

Ce barbecue est équipé d'orifices fixes et il est expédié de l'usine prêt pour l'utilisation au gaz naturel. Pour changer au gaz propane, installer les orifices de brûleurs fournis, dans le tiroir de la graisse, tel que suit :

1. Enlever le gril, les radiants et les brûleurs.
2. Enlever les orifices de brûleurs et installer les orifices fournis.
3. Remettre en place les brûleurs, les radiants et le gril.
4. Régler la pression d'admission sur (10) pouces de colonne d'eau. On peut enlever un bouchon de tuyau de 1/8 po. du collecteur du brûleur pour y attacher un manomètre. Enlever le bouchon entaillé ou fileté hexagonal du régulateur de pression. Inverser le bouchon et le réinstaller. Les lettres «LP» doivent être maintenant visibles sur le bouchon. Le régulateur est maintenant réglé pour 25,4 cm (10 po.) de colonne d'eau. Apposez l'étiquette de conversion à côté de la plaque d'identification.

GAZ NATUREL

Ce barbecue est équipé d'orifices fixes et il est expédié de l'usine prêt pour l'utilisation au gaz propane. Pour changer au gaz naturel, installer les orifices de brûleurs fournis, dans le tiroir de la graisse, tel que suit :

1. Enlever le gril, les radiants et les brûleurs.
2. Enlever les orifices de brûleurs et installer les orifices fournis. (non fourni)
3. Remettre en place les brûleurs, les radiants et le gril.
4. Régler la pression d'admission sur (6) pouces de colonne d'eau. On peut enlever un bouchon de tuyau de 1/8 po. du collecteur du brûleur pour y attacher un manomètre. Enlever le bouchon entaillé ou fileté hexagonal du régulateur de pression. Inverser le bouchon et le réinstaller. Les lettres «NAT» doivent être maintenant visibles sur le bouchon. Le régulateur est maintenant réglé pour 15,24 cm (6 po.) de colonne d'eau.

VÉRIFICATION DE L'ÉTANCHÉITÉ

Vérifier l'étanchéité de toute la tuyauterie. Pour vérifier l'étanchéité, il faut utiliser une solution de savon et d'eau ou une autre matière acceptable pour ce but.

DONNÉES GÉNÉRALES D'INSTALLATION



Cet équipement n'est conçu et vendu que pour l'utilisation commerciale par le personnel formé et sachant l'utiliser et il n'est pas vendu pour l'utilisation à la maison, ni pour l'usage du public dans les endroits de pique-nique.

Le barbecue de la série Star-Max est équipé pour le type de gaz indiqué sur la plaque du constructeur montée sur le panneau avant. Tous les appareils sont expédiés de l'usine pour l'utilisation au gaz naturel. Il est facile de convertir l'appareil en vue de l'utilisation au gaz propane : voir le gaz propane.

-IMPORTANT-

NE L'INSTALLER QUE DANS UN ENDROIT NON COMBUSTIBLE ! Il faut laisser un espace de 6 po. entre une construction combustible et la partie arrière et les parties latérales de l'appareil.

L'installation de l'appareil doit se conformer au CODE NATIONAL DE GAZ COMBUSTIBLE "ANSI Z223.1 - TOUTE DERNIÈRE ÉDITION" DES ÉTATS-UNIS ET À TOUTES LES RÈGLES ET RÉGLEMENTATIONS DE LA COMPAGNIE DE GAZ LOCALE.

AU CANADA, L'INSTALLATION DOIT ÊTRE CONFORME AU CODE COURANT D'INSTALLATION AU GAZ NATUREL CAN/CGA-B149.1 OU AU CODE D'INSTALLATION AU PROPANE CAN/CGA-B149.2 ET AUX CODES LOCAUX, LE CAS ÉCHÉANT.

AVERTISSEMENT: L'installation, le réglage, la modification, la réparation ou l'entretien incorrect de cet appareil peut causer des dommages matériels, des blessures ou la mort. Lire attentivement les instructions d'installation, de fonctionnement et d'entretien avant de procéder à son installation ou entretien.

ESURE DE SÉCURITÉ

NE PAS ENTREPOSER NI UTILISER DE'ESSENCE NI AUTRES VAPEURS OU LIQUIDES INFLAMMABLES À PROXIMITÉ DE CET APPAREIL OU DE TOUT AUTRE APPAREIL. TENIR TOUT COMBUSTIBLE À L'ÉCART DE L'APPAREIL.

Pour votre propre protection, on vous recommande de faire installer cet appareil par une agence d'installation qualifiée. Ils doivent connaître les installations de gaz et vos exigences de gaz locales. En tout cas, il faut appeler votre société du gaz pour l'approbation de l'installation finale. En plus, il faut afficher dans un endroit en pleine vue les instructions détaillées à suivre si l'opérateur sent du gaz. Obtenir les instructions du fournisseur local de gaz.

Cet appareil, son régulateur de pression et ses vannes d'arrêt individuelles doivent être débranchés de la tuyauterie d'alimentation du gaz lors des essais de pression de la tuyauterie en question à des pressions en dessus de ½ PSIG. Cet appareil et son régulateur de pression doivent être isolés de la tuyauterie d'alimentation du gaz en fermant sa vanne d'arrêt manuelle individuelle lors des essais de pression de la tuyauterie d'alimentation de gaz à des pressions égales à ou de moins que ½ PSIG.

ÉPUISEZ LE BALDAQUIN

Les grils du foyer ouverts créent beaucoup de chaleur et fumée fondamentalement et devraient être installés sous un capuchon du gaz d'échappement effectif avec flamme filtres insensibles. Une distance verticale de pas moins que 48 " seront fournis entre le sommet de l'appareil et filtres ou toute autre matière combustible. L'installation du gaz d'échappement doit conformer aux codes locaux.

LA PROVISION DE L'AIR

Les vivres pour provision de l'air adéquate doivent être fournis.

ÉQUILIBRAGE DE L'APPAREIL

Ce barbecue est fourni avec 4 pieds qui doivent être vissés au corps. Équilibrer l'appareil en ajustant les (4) pieds qui ont un réglage de 1-3/4 po., en vue d'un alignement exact et parfait avec d'autres appareils.

SYMBOLE DE SÉCURITÉ



Ces symboles sont utilisés pour souligner à l'utilisateur les instructions d'utilisation ou d'entretien importantes contenues dans le manuel qui accompagne l'appareil.

CONSERVEZ CE MANUEL POUR RÉFÉRENCE FUTURE AVIS

L'utilisation de toute pièce autre que les pièces d'origine STAR dégage le fabricant de toute responsabilité.

Star se réserve le droit de changer les spécifications et la conception du produit sans préavis. Ces changements ne donnent pas le droit à l'acheteur d'obtenir les changements, améliorations, ajouts ou remplacements correspondants pour l'équipement acheté préalablement.

Dû aux modifications périodiques de dessins, méthodes, procédures, règles et régulations, les spécifications contenues dans ce manuel sont susceptibles de changer sans préavis. Quoique STAR Manufacturing exerce la bonne foi de fournir le renseignement correct, STAR n'est pas responsable pour les erreurs ou les omissions dans le renseignement pourvu ou les conclusions tirées à la suite de l'utilisation des spécifications. En utilisant le renseignement pourvu, l'utilisateur assume tous les risques en relation avec telle utilisation.

ENTRETIEN ET RÉPARATIONS

Contactez votre détaillant local pour les réparations ou l'entretien requis. Assurez-vous d'avoir le numéro de modèle, le numéro de série, le voltage et la date d'achat pour un service plus rapide. Entrez l'information requise ci-dessous pour référence rapide.

N° de modèle _____
N° de série _____
Voltage _____
Date d'achat _____

Agent de service autorisé

Voir la liste pourvue avec l'appareil
Ou

Pour une liste mise à jour voir :

Site web : www.star-mfg.com
Courriel : Service@star-mfg.com

StarMax[®]

BARBECUE A GAZ

MODELES

6015CBF, 6115RCBF

6024CBF, 6124RCBF

6036CBF, 6136RCBF

6048CBF, 6148RCBF

Instructions d'installation et d'opération

2M-Z16002 Rev. - 6/05/12



6136RCBF

