



**STAR HOLDINGS INTERNATIONAL INC.**

265 Hobson St., Smithville, TN 37166

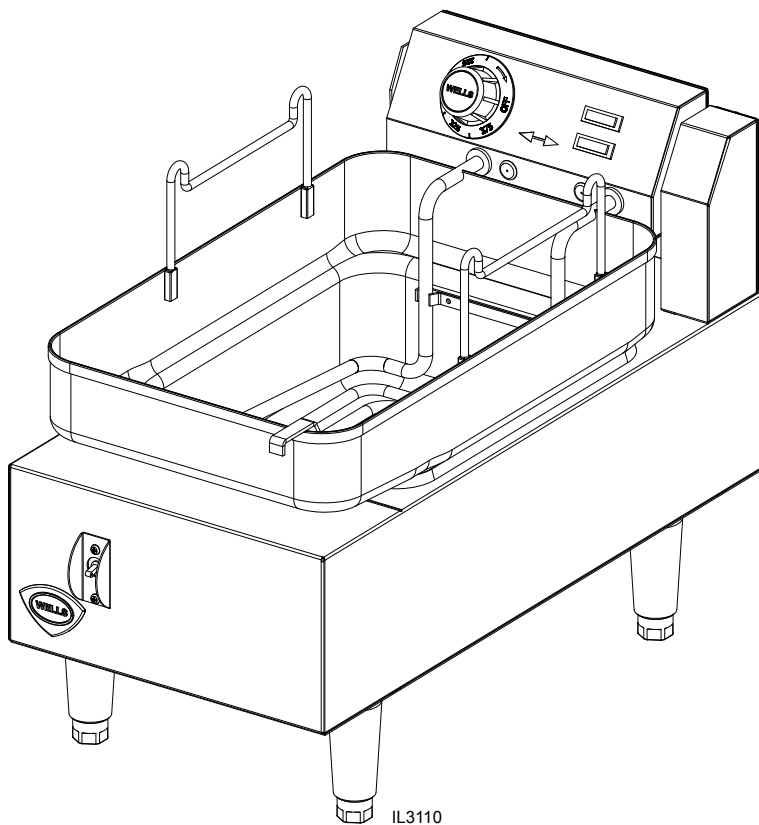
Telephone: 800-264-7827

**OWNERS MANUAL**

# **15lb COUNTERTOP ELECTRIC FRYER**

**MODEL**

# **F15**



IL3110

**Includes  
INSTALLATION  
USE & CARE  
EXPLODED VIEW  
PARTS LIST  
WIRING DIAGRAM**

### **IMPORTANT: DO NOT DISCARD THIS MANUAL**

This manual is considered to be part of the appliance and is to be given to the OWNER or MANAGER of the restaurant, or to the person responsible for TRAINING OPERATORS of this appliance. Additional manuals are available from your DEALER.

**THIS MANUAL MUST BE READ AND UNDERSTOOD BY ALL PERSONS USING OR INSTALLING THIS APPLIANCE.** Contact your dealer if you have any questions concerning installation, operation or maintenance of this equipment.

**LIMITED EQUIPMENT WARRANTY**

Wells Manufacturing warranties new products to be free from defects in material and/or workmanship for a period of one [1] year from the date of original installation, except as noted below. Defects that occur as a result of normal use, within the time period and limitations defined in this warranty, will at Wells' discretion have the parts replaced or repaired by Wells or a Wells-authorized service agency.

**THIS WARRANTY IS SUBJECT TO ALL LISTED CONDITIONS.**

Repairs performed under this warranty are to be performed by a Wells authorized service agency. Wells will not be responsible for charges incurred or service performed by non-authorized repair agencies. In all cases, the nearest Wells-authorized service agency must be used. Wells will be responsible for normal labor charges incurred in the repair or replacement of a warranted product within 50 miles (80.5 km) of an authorized service agency. Time and expense charges for anything beyond that distance will be the responsibility of the owner. All labor will need to be performed during regular service hours. Any overtime premium will be charged to the owner. For all shipments outside the U.S.A. and Canada, please see the International Warranty for specific details. It is the responsibility of the owner to inspect and report any shipping damage claims, hidden or otherwise, promptly following delivery. No mileage or travel charges will be honored on any equipment that is deemed portable. In general, equipment with a cord and plug weighing less than 50 lb. (22.7 kg) is considered portable and should be taken or shipped to the closest authorized service agency, transportation prepaid.

**CONTACT**

Should you require any assistance regarding the operation or maintenance of any Wells equipment; write, phone, fax or email our service department. In all correspondence mention the model number and serial number of your unit, as well as the voltage or type of gas you are using.

Business hours are 8:00 a.m. to 4:30 p.m. Central Standard Time (CST)

Telephone: (800)-264-7827

Fax: (314)-781-2714

Email: [Customerservice@star-mfg.com](mailto:Customerservice@star-mfg.com)

[www.wells-mfg.com](http://www.wells-mfg.com)

**WARRANTY EXCLUSIONS**

THE FOLLOWING WILL NOT BE COVERED UNDER WARRANTY.

- Any product which has not been used, cleaned, maintained, or installed in accordance with the directions published in the appropriate installation sheet and/or owner's manual as well as national and local codes, including incorrect gas, electrical, or water connection. Lang is not liable for any unit which has been mishandled, abused, misapplied, subjected to chlorides, harsh chemicals, or caustic cleaners, damaged from exposure to hard water, modified by unauthorized personnel, damaged by flood, fire, or other acts of nature [or God], or which have an altered or missing serial number.
- Installation, labor, and job checkouts, calibration of heat controls, air and gas burner/bypass/pilot adjustments, gas or electrical system checks, voltage and phase conversions, cleaning of equipment, or seasoning of griddle surface.
- Replacement of fuses or resetting of circuit breakers, safety controls, or reset buttons.
- Replacement of broken or damaged glass components, quartz heating elements, and light bulbs.
- Labor charges for all removable parts in gas charbroilers and hotplates, including but not limited to burners, grates, and radiants.
- Any labor charges incurred by delays, waiting time, or operating restrictions that hinder a service technician's ability to perform service.
- Replacement of items subject to normal wear or items that can easily be replaced during a daily cleaning routine, such as but not limited to knobs, bulbs, fuses, quartz heating elements, baskets, racks, and grease drawers.
- Components that should be replaced when damaged or worn, but have been field-repaired instead [eg. field-welded fry pots]
- Any loss of business or profits.

**ADDITIONAL WARRANTIES**

- Specific/chain specific versions may also have additional and/or extended warranties.

PRODUCTS	PARTS	LABOR
Universal ventless hoods (WVU)	1 year	1 year
Canopy ventless hoods (WVC)	1 year	1 year
*Universal ventless hoods and/or canopy ventless hoods purchased with approved Southbend-Star electric equipment *Southbend-Star approved electric equipment purchased and installed under ventless hood **Universal Ventless Hood and Southbend-Star electric equipment must be on the same PO and listed on the ventless start-up document for the 2 year warranty to apply	2 years	2 years
"Cook'n Hold" equipment [HW10, HWSMP, LLSC7, LLSC7WA, LLSC11, and LLSC11WA]	2 years	1 year
Cast iron grates, burners; and burner shields	1 year	
Wells parts sold to repair equipment	90 days	
Service First	1 year	

## TABLE OF CONTENTS

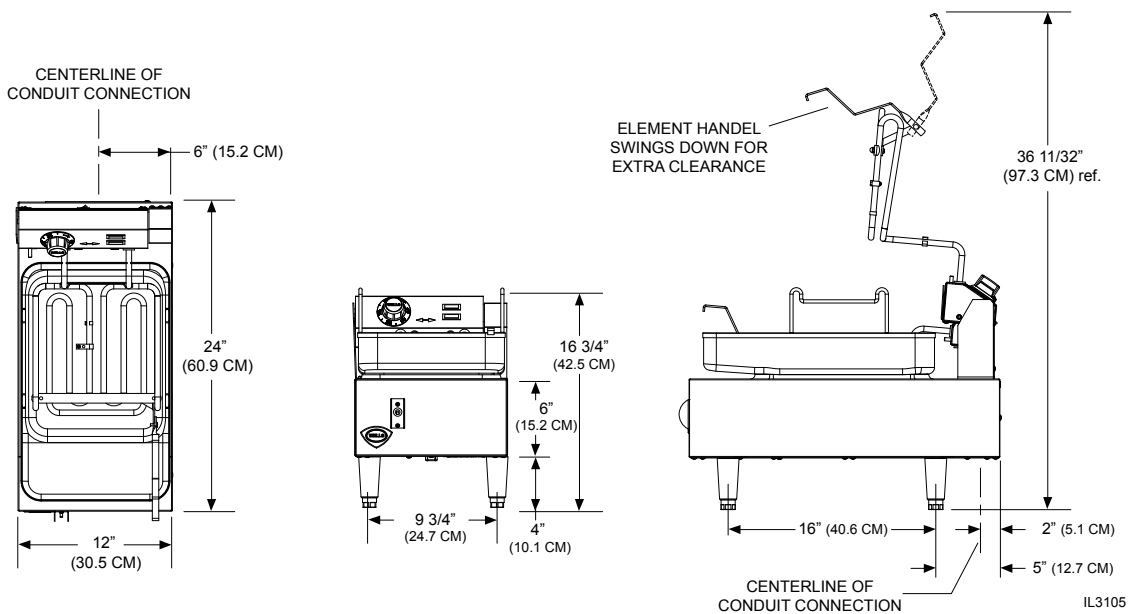
WARRANTY	xi
SPECIFICATIONS	1
FEATURES & OPERATING CONTROLS	2
PRECAUTIONS & GENERAL INFORMATION	3
INSTALLATION	4
OPERATION	5, 6
CAUTIONS FOR ALL DEEP FAT FRYERS	7
CARE OF FAT	8
HANDY FRYING CHART	9
EXPLODED VIEW & PARTS LIST	10 12
WIRING DIAGRAM	13

## INTRODUCTION

Proper installation, professional operation and consistent maintenance of this appliance will ensure that it gives you the very best performance and a long, economical service life.

This manual contains the information needed to properly install this appliance, and to use and care for the appliance in a manner which will ensure its optimum performance.

## SPECIFICATIONS



Model	Voltage	Watts	Amps	Power Supply Cord	Dimensions			Approximate Weight	
					Width	Depth	Height	Installed	Shipped
F15	208V	4.3	20.8	NEMA 6-30P	12"	24"	16.75"	38 lbs	47 lbs
	240V	5.8	24.0		(30.5 cm)	(61 cm)	(42.5 cm)	(21.3 kg)	(20.9 kg)

## FEATURES & OPERATING CONTROLS

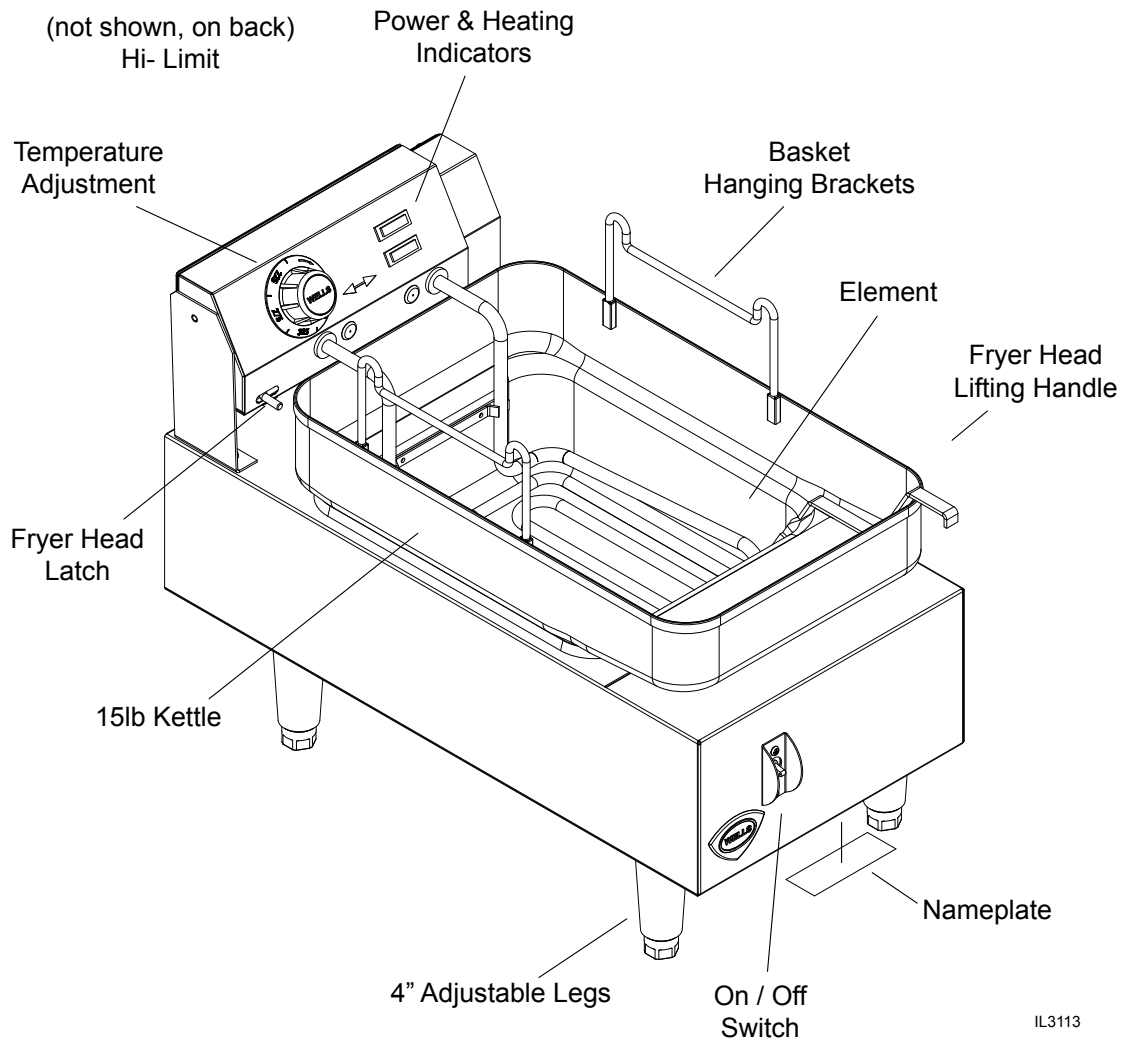


Fig. 1 Countertop Electric Fryer (shown with the fryer head in the down position)

## PRECAUTIONS AND GENERAL INFORMATION



### **DANGER: BURN HAZARD**

Contact with cooking grid surface will cause severe burns. Use the handle to lift the grid. Avoid contact with grid surfaces.



### **WARNING: ELECTRIC SHOCK HAZARD**

All servicing requiring access to non-insulated components must be performed by qualified service personnel. **DO NOT** open any access panel that requires the use of tools. Failure to heed this warning may result in severe electric shock.

This equipment is designed and sold for commercial use only by personnel trained and experienced in its operation and is not sold for consumer use in and around the home nor for use directly by the general public in food service locations.

Before using your new equipment, read and understand all the instructions & labels associated with the unit prior to putting it into operation. Make sure all people associated with its use understand the units operation & safety before they use the unit.

All shipping containers should be checked for freight damage both visible and concealed. This unit has been tested and carefully packaged to insure delivery of your unit in perfect condition. If equipment is received in damaged condition, either apparent or concealed, a claim must be made with the delivering carrier.

Concealed damage or loss - if damage or loss is not apparent until after equipment is unpacked, a request for inspection of concealed damage must be made with carrier within 15 days. Be certain to retain all contents plus external and internal packaging materials for inspection. The carrier will make an inspection and will supply necessary claim forms.

Cleanliness of this appliance is essential to good sanitation. Read and follow all included cleaning instructions and schedules to ensure the safety of the food product.

Disconnect this appliance from electrical power before performing any maintenance or servicing.

**DO NOT** submerge this appliance in water. This appliance is not jet stream approved. **DO NOT** direct water jet or steam jet at this appliance, or at any control panel or wiring. **DO NOT** splash or pour water on, in or over any controls, control panel or wiring.

Exposed surfaces of this appliance can be hot to the touch and may cause burns.

The technical content of this manual, including any wiring diagrams, schematics, parts breakdown illustrations and/or adjustment procedures, is intended for use by qualified technical personnel. Any procedure which requires the use of tools must be performed by a qualified technician.

This manual is considered to be a permanent part of the appliance. This manual and all supplied instructions, diagrams, schematics, parts breakdown illustrations, notices and labels must remain with the appliance if it is sold or moved to another location.

This appliance is made in the USA. Unless otherwise noted, this appliance has American sizes on all hardware.



### **CAUTION: RISK OF DAMAGE**

**DO NOT** connect or energize this appliance until all installation instructions are read and followed. Damage to the appliance will result if these instructions are not followed.



### **CAUTION: HOT SURFACE**

Exposed surfaces can be hot to the touch and may cause burns.

## INSTALLATION

**NOTE:** DO NOT discard the carton or other packing materials until you have inspected the appliance for hidden damage and tested it for proper operation. Refer to *SHIPPING DAMAGE CLAIM PROCEDURE* on the inside front cover of this manual.



### **CAUTION: RISK OF DAMAGE**

DO NOT connect or energize this appliance until all installation instructions are read and followed. Damage to the appliance will result if these instructions are not followed.

### **WARNING:**

Improper installation, adjustment, alteration, service or maintenance can cause property damage, injury or death. Read the installation, operating and maintenance instructions thoroughly before installing or servicing the equipment.

### **IMPORTANT:**

Damage due to being connected to the wrong voltage or phase is NOT covered by warranty.

## UNPACKING & INSPECTION

Carefully remove the appliance from the carton. Remove all protective plastic film, packing materials and accessories from the appliance before connecting performing any installation procedure.

Carefully read all instructions in this manual and the Installation Instruction Sheet packed with the appliance before starting any installation.

Read and understand all labels and diagrams attached to the appliance.

Carefully account for all components and accessories before discarding packing materials. Store all accessories in a convenient place for later use.

## ELECTRICAL INSTALLATION

This fryer is equipped for the voltage and wattage indicated on the nameplate mounted on the bottom of the unit, just left of the power switch. It is designed for use on alternating current (AC) only. It is intended for use by properly trained personnel only.

### **DO NOT CONNECT TO DIRECT CURRENT (DC)**

**The installation of the appliance should conform to the: NATIONAL ELECTRIC CODE AND ALL LOCAL ELECTRIC CODES AND ORDINANCES AND THE LOCAL ELECTRIC COMPANY RULES AND REGULATIONS**

For your protection we recommend that a qualified electrician install this appliance. He should be familiar with electrical installations and all electrical codes. Proper connections and power supply are essential for efficient performance. The external wiring should be in conduit or an approved type of flexible cable suitable for operation at 194°F (90°C) and of a proper size to carry the load. The supply circuit should be properly fused and equipped with a means of disconnection, as required by local electrical code. **THE BODY OF THE APPLIANCE SHOULD BE GROUNDED - DO NOT GROUND TO A GAS SUPPLY LINE.** Four legs are provided and should be installed for ease of cleaning. **DO NOT INSTALL WITHOUT FEET PROVIDED.** Level unit by adjusting the (4) feet which have an adjustment of 1-3/8" (34.92 mm) for accurate leveling and perfect line-up with other units.

### **POWER SUPPLY**

These models are wired at the factory for operation on a single phase power supply. For specific wiring, check the wiring diagram.

**OPERATING INSTRUCTIONS**

**PLACE THE LAMINATED WARNING SIGN SUPPLIED WITH THE FRYER IN AN AREA VISIBLE TO THE FRYER OPERATOR.**

**CLEAN KETTLE BEFORE USING**

Take out baskets, push and hold element catch, lift up on element lift handle until elements lock in a vertical position, and remove kettle. The kettle can be cleaned in a sink.

**DO NOT** use soap when cleaning the kettle, it will discolor the kettle.

**ADDING FAT**

Replace kettle and swing the element down, making fryer ready for use. Add fat. The kettle has a 15 lb. fat capacity. A fat level line on the rear of the kettle will guide you in determining the minimum cold fat level. A higher fat level can be used when frying bulky foods, such as chicken or fish cakes. The fat level should be chosen carefully so that the foaming action of the fat does not spill out of the kettle. If solid shortening is used, pack carefully around the elements.

**CONTROLS**

1. **ON/OFF TWO-POLE SWITCH** - Located on the front panel is a two-pole switch which turns power on or off. An indicator light (Power On) is located on the control housing.
2. **THERMOSTAT CONTROL** - Located on the Control Housing, this control allows you to select the desired frying temperature. A signal light "Heating" indicates when the element is on. When the light goes off, the desired temperature has been reached.
3. **HI-LIMIT THERMOSTAT** - Should fat temperatures reach 450° F (230° C), this control will shut off the power to the heating elements. The unit will still have power. The fat temperature must cool to 400° F (202.4° C) and the manual reset button located on the back panel of the control housing must be pressed to restore operation. Should the hi-limit control activate twice in succession, the primary thermostat should be checked for malfunction by a qualified service technician.



**CAUTION:  
RISK OF  
DAMAGE**

DO NOT connect or energize this appliance until all installation instructions are read and followed. Damage to the appliance will result if these instructions are not followed.



**CAUTION:  
HOT SURFACE**

Exposed surfaces can be hot to the touch and may cause burns.



**CAUTION:  
HOT SURFACE**

Exposed surfaces can be hot to the touch and may cause burns.

## OPERATION continued



### **CAUTION: HOT SURFACE**

DO NOT ATTEMPT TO REMOVE THE KETTLE FILLED WITH HOT OIL. CONTACTING HOT OIL CAN RESULT IN SEVERE INJURIES OR DEATH

### **FRYING**

After fat has been added, turn the switch on and set the thermostat at 200°F (92.4° C). After the fat has melted, turn the thermostat to the desired setting. Included in this instruction booklet is a frying chart and some helpful hints on fat use. After the selected fat temperature has been reached, slowly lower half filled baskets into the fat. Do not overload baskets as this causes foods to be improperly fried.

*NOTE: Baskets should be allowed to drain after frying cycle. The kettle handles serve as basket hangers.*

### **IDLING**

During idle periods turn thermostat control to approximately 200° F (92.4° C). The fast recovery fryers can be brought up to frying temperature in a matter of minutes. Lowering the temperature during idle periods saves energy costs and prolongs fat life.

### **DRAINING KETTLE**

Turn switch to "OFF". Raise element to the first stop and allow to drain. Raise the element to the vertical position and siphon the oil out of the kettle. Once drained, the kettle can be washed out with warm water and wiped dry before returning it to the unit..

**DO NOT** use soap when cleaning the kettle, it will discolor the kettle.

If kettle needs further cleaning, contact your dealer for product specific to cleaning fryer kettles. Follow the directions provided with that specific cleaner.

### **DO NOT ATTEMPT TO REMOVE THE KETTLE FILLED WITH HOT OIL. CONTACTING HOT OIL CAN RESULT IN SEVERE INJURIES OR DEATH.**

If you do not have a siphon, order one from your dealer or dip the oil out and strain into a container. After oil has been removed, remove the kettle and clean.



### **CAUTION**

**INAPPROPRIATE USE DUE TO A LACK OF COMMON SENSE MAY RESULT IN PRODUCT DAMAGE OR PERSONAL INJURY.**

### **CLEANING THE EXTERIOR**

The exterior surfaces can be cleaned by regularly wiping with a soft cloth. Any discoloration can be removed with a non-abrasive cleaner.



# CAUTIONS FOR ALL DEEP FAT FRYERS

NEVER LEAVE AN OPERATING FRYER UNATTENDED

REMEMBER HOT OIL IS DANGEROUS – **RESPECT IT!**



## WARNING – INSTALLATION

- Locate your fryer in a protected place so that it cannot be tipped over or knocked off its support. A mechanical restraint should be installed to prohibit the fryer from tipping or moving. Consult your local codes for allowable methods of restraint.
- Install an automatic fire extinguisher over the fryer and in the exhaust duct.
- Be sure your power supply is installed properly and in accordance with the local and national codes.
- Install a shut-off switch or gas valve close to the fryer. It must turn off the fryer immediately.
- Failure to add a mechanical restraint can result in oil splashing out and contacting the skin, leading to serious injury or death!



## WARNING – HOT OIL

- Hot oil is dangerous – Severe burns can result when hot oil contacts the skin.
- Hot oil is flammable – Keep open flames away from hot oil and its vapors.
- Never allow water or ice to get in hot oil.  
**IT CAN EXPLODE!**



## WARNING - ENVIRONMENT

- Keep your floors clean and free of grease and all other substances so no one slips accidentally and contacts the hot fryer.
- Keep areas and filters clean above your fryers – Oil soiled lint or dust can ignite easily and flames will spread rapidly.



## WARNING – MAINTENANCE

- Have your equipment checked regularly to insure its safe and properly functioning.
- If your fryer starts to smoke or boil abnormally, cut off the power supply immediately and determine the reason for the smoking or boiling before attempting to use it again.



## WARNING – TRAINING

- Train all personnel to understand the hazards of hot oil. Instruct them on the proper action to take if something does not seem to be acting properly.
- Instruct your personnel on what to do if there is an oil fire. Do not use water on an oil fire! Use only fire extinguishers of the approved type and never direct such extinguishers so as to blow the oil out of the oil container.
- Inappropriate use due to a lack of common sense may result in product damage or personal injury.

## CARE OF FAT

In three to six months you may spend as much for fat as you paid for your kettle. So fat is an item you want to know all about; how to select it; how to manage it. The more production you can get from each pound of fat, the more profitable your frying operation will be.

To get a high rate of production per pound of fat you have to avoid two things. One is early breakdown and spoilage of the compound so that you have to throw it away before it does enough work to "earn its keep." The other is excessive sponging up of fat by the food being fried.

The main cause of fat breakdown is excessive heat. On the other hand abnormal absorption is caused by frying too long at too low temperatures. One answer to both problems is exact control of heat — so that fat neither smokes up nor soaks up.

Of course, no fat "keeps" forever. Not only heat, but air and moisture, salt particles and crumbs of food work to break it down. But you can slow up fat deterioration by maintaining proper temperatures and by draining your kettle, filtering or straining the fat once or twice a day and by keeping the kettle itself absolutely clean.

A number of commercial devices and materials are available to aid in eliminating fat impurities. There are several excellent models of pressure filters as well as strainer-type filters, which, if used regularly, will prolong life of fat.

However, no purification device will renew broken down or rancid fat or put new life into it. Once you have allowed fat to break down it becomes unsuitable for frying — in fact browning is impossible.

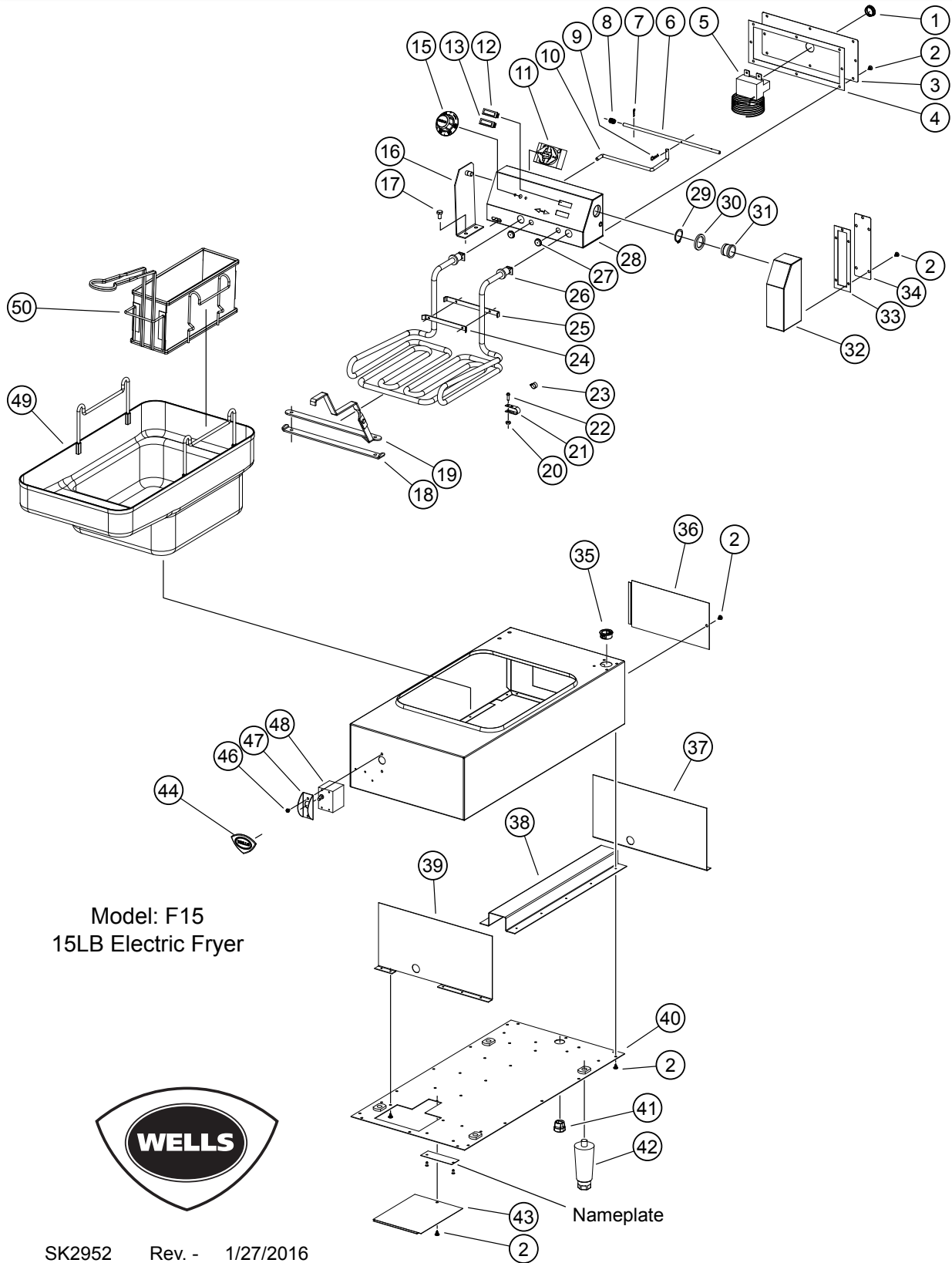
In addition to filtration, you can prolong the usefulness of fat by sweetening it with fresh compound every day - replacing about 15% of the bulk you started with. If you do enough frying so that normal absorption of fat in food amounts to 15% to 20% of the capacity of your kettle every day - then you can call that your turn-over food. It means you can add the recommended 15% of fresh fat without discarding any of the old.

## 10 POINT PROGRAM TO PRESERVE FAT AND PRODUCE THE FINEST FRIED FOODS

1. Choose a fat that does not break down quickly. Hydrogenated shortening, corn, and peanut oils are less likely to break down under high temperatures.
2. Do not fry foods at temperatures above those recommended. The higher the fat temperature, the more rapid the rate of fat deterioration. Above 400°F fats quickly deteriorate.
3. During short intervals between frying, turn the heat down. Do not keep heat on for long periods between batches.
4. Keep fat clean. Strain or filter daily or at end of each shift. Add at least 15% fresh fat to your kettle daily.
5. At least once a day, cool a small amount of fat and taste it to see if it has picked up foreign flavors.
6. Discard fat that tends to bubble excessively before food is added.
7. Do not overload baskets-pieces should not touch when frying. Shake baskets to prevent food from sticking together. Fry similar sizes together.
8. Never salt foods directly over fat, salt in fat reduces its life.
9. Raw, wet foods, such as potatoes and oysters, should be drained or wiped dry before frying to extend the life of the frying fat. Have foods to be fried at room temperature.
10. Keep fat temperatures below smoking point to minimize frying odors.

<b>HANDY FRYING CHART</b>				
FOOD	COATING	PROCEDURE	TEMP	MINUTES
<b>POTATOES</b>				
Standard French Fries		Cut in uniform pieces 1/2"	350°	5-7
Blanch Only		square the long way	350°	3-1/2
Brown Only			350°	3-1/2
Long Branch		Cut in uniform pieces 3/4" square the long way	350°	7-10
Julienne (shoe string)		Cut in uniform pieces 1/8" to 1/4" square the long way	350°	3-6
Chips		Soak in cold running water until water does not run milky	350°	2-3
<b>CHICKEN</b>				
Large Pieces	Batter or	Some prefer rolling in	325°	9-11
Small Pieces	Breading	seasoned flour, dipping in egg	340°	7-10
Pre-cooked		wash, and frying	350°	3-4
<b>FISH</b>				
Fillets (Large)	Breading	Select fillets of uniform	350°	4
Fillets (Small)	or Batter	size, skin out and dry.	350°	3
Oysters	Breading	Use Oyster liquor in batter	350°	5
	or Batter	or breading	350°	5
Clams	Batter		350°	1
Scallops	Breading		350°	4
Shrimp	Batter	Some prefer soaking 1/2 hour in cold seasoned milk	350°	3
Smelts	Breading	Cut spinal cord several	350°	4
<b>MEATS</b>				
Chicken Fried Steak	Breading	Sever all connecting membranes at one inch intervals to prevent curling	360°	3-4
Cutlets	Breading		350°	3-4
Chops	Breading		340°	3-4
Meat Balls	Breading or rolled in flour		340°	4-6
Brains	Breading		340°	3-5
<b>VEGETABLES</b>				
Asparagus	Batter or crumbs	Pre-cook in salted water	350°	3
Cauliflower	Batter or crumbs	Pre-cook and separate flowers	350°	3
Egg Plant	Crumb Breading	Peel, cut cross-wise into 1/4" slices	350°	3
Onions	Light batter	Slice thin, soak in milk for two hours	350°	3
<b>FRITTERS</b>				
Fruit (bananas, pineapples, apricots, berries)		Serve with fruit juice	350°	3-5
Corn	Batter	Serve with syrup or jelly	350°	3-5
Vegetable (peas, green beans)		Serve with tomato cheese sauce	350°	5-8
<b>MISCELLANEOUS</b>				
Croquettes	Breading		360°	3
Chinese Noodles			375°	1-2
French Toast			375°	1
<b>DOUGHNUTS</b>				
Cake			375°	1-1/2 - 2
Yeast, raised			375°	1

# EXPLODED VIEW: F15, 15lb COUNTERTOP ELECTRIC FRYER



2M-ZZ1031 Owners Manual for Countertop 15LB Electric Fryer

**PARTS LIST: F15**

**Model: F15, Electric Countertop Deep Fat Fryer**

Fig. No.	Part Number	Quantity	Description	Application
1	2K-70229	1	BUSHING SHORTY HEYCO 2850	
2	2C-1646	16	SCREW #8X3/8 AB THP STL	
3	E1-Y5087	1	BACK-ELEMENT HOUSING	
4	2I-Y5097	1	GASKET-ELEMENT HOUSING	
5	2T-Y1668	1	HI-LIMIT/SAFETY T-STAT	
6	2A-Y5109	1	ROD-CATCH	
7	2A-7435	1	PIN-COTTER 1/16DX3/8 STL	
8	2P-7969	1	SPRING 11/321DX7/8LG#18	
9	2A-5401	1	PIN-COTTER 3/32DX3/4 SS	
10	2A-Y5108	1	ROD-CATCH RELEASE	
11	2T-Z7208	1	THERMOSTAT 375F	
12	E1-116313	1	SIGNAL LITE ASSEM-HEATING	
13	E1-116314	1	SIGNAL LITE ASSEM-POWER	
15	2R-Z20952	1	KNOB ASSEMBLY-WELLS	
16	E1-530007	1	LH HOUSING SUPPORT ASSY	
17	2C-Y1221	2	BOLT 1/4-20X1/2 HEX STL	
18	E1-Y1669	1	CLAMP-ELEMENT UPPER	
19	2R-115719	1	HANDLE BRKT ASSY-115 FRYR	
20	2C-2556	4	NUT 8-32 HEX STL NP	
21	E1-7363	4	CLAMP-THERMOSTAT BULB	
22	2C-1494	4	SCREW 8-32X1/2 RHP STL NP	
23	2P-5737	6	CLIP- CAPILLARY TUBE	
24	E1-Y1890	1	BRACE-ELEMENT (SMALL)	
25	E1-Y1889	1	BRACE-ELEMENT	
26	2N-Y5168	1	ELEMENT-240V 5750W	
27	2I-5659	2	9061 GROMMET DRILL#55	
28	E1-515014	1	ELEMENT HOUSING ASSY	
29	2C-Y5094	1	RING-RETAINING-1.000 ID	
30	2I-Y5088	1	GASKET-PIVOT 1.37 X 1.4	
31	2A-Y5090	1	BUSHING PIVOT - PLATED	
32	E1-515005	1	WIRE HOUSING ASSEMBLY	
33	2I-Y5095	1	GASKET-WIRE HOUSING	
34	E1-Y5086	1	BACK-WIRE HOUSING	
35	2K-Y5093	1	BUSHING-SNAP #SB-1000-12	
36	E1-Y5084	1	PANEL-INSPECTION	
37	E1-Y5282	1	REAR DIVIDER	
38	E1-Y5284	1	WIRE CHANNEL	
39	E1-Y5283	1	FRONT DIVIDER	
40	E1-515017	1	BOTTOM ASSY 515ED	
41	2K-Y6764	1	BUSHING - STRAIN RELIEF	
42	2A-Z5942	4	FOOT, 1/2-13 X 4"L.	
43	E1-Z3758	1	PANEL-INSPECTION	

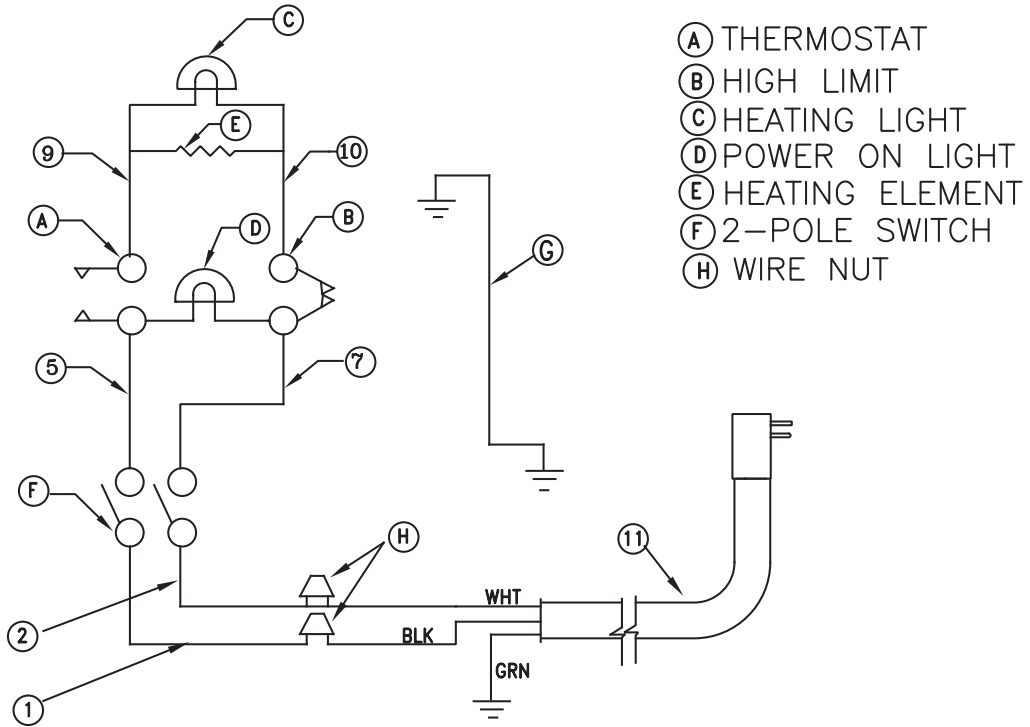
2M-Z21031 Owners Manual for Countertop 15LB Electronic Fryer

January 27, 2016, Rev. -

## PARTS LIST: F15 continued

Model: F15, Electric Countertop Deep Fat Fryer				
Fig. No.	Part Number	Quantity	Description	Application
44	2M-Z20961	1	WELLS DOMED LOGO 2.5" W	
45	2C-8477	3	CLIP .125 PO STL PHOS	
46	2C-200067	2	SCREW 6-32X1/4 THP SS	
47	E1-Z15962	1	SWITCH GUARD SINGLE SST	
48	2E-Y5166	1	SWITCH-2 POLE 30 AMP	
49	E1-115714	1	KETTLE ASSEMBLY COMPLETE	
50	2B-115774	1	BASKET, TWIN, LEFT HANGER	
	2B-115775	1	BASKET, TWIN,RIGHT HANGER	
	2B-Y8847	Optional	BASKET-LEFT (8" WIDE) (OPTIONAL)	
	2B-Y8846		BASKET-RIGHT (8" WIDE) (OPTIONAL)	
NI	2M-Y5287	1	WIRE DIAGRAM LABEL	
NI	2M-Z8943	1	SIGN-FRYER WARNINGS	
NI	E3-301044	1	CORD ASSY 12-3 SJTO 30A	

# WIRING DIAGRAM



	MODEL 515F / F15	
	208V 1 PH.	240V 1 PH.
WATTS	4319	5750
AMPS	20.8	24.0
SUPPLY MIN AWG	#12	#12



Wells proudly supports CFESA  
Commercial Food Equipment Service Association

**SERVICE TRAINING - QUALITY SERVICE**



**CUSTOMER SATISFACTION**



**WELLS MANUFACTURING**  
265 Hobson St., Smithville, TN 37166  
Telephone: 800-264-7827  
[www.wells-mfg.com](http://www.wells-mfg.com)