



WELLS MANUFACTURING

265 Hobson Street, Smithville, Tennessee 37166

telephone: 314-678-6314

fax: 314-781-2714

www.wells-mfg.com



Model HDTG-2430G

OWNERS MANUAL

**HEAVY DUTY
GAS GRIDDLE
w/THERMOSTAT**

MODELS

HDTG-2430G

HDTG-3630G

HDTG-4830G

HDTG-6030G

**Includes
INSTALLATION
USE & CARE
EXPLODED VIEW
PARTS LIST**

FOR YOUR SAFETY

**Do not store gasoline or other flammable liquids
in the vicinity of this or any other appliance.**

WARNING:

**Improper installation, adjustment, alteration, service or maintenance can cause
property damage, injury or death. Read the installation, operating and mainte-
nance instructions thoroughly before installing or servicing this equipment.**

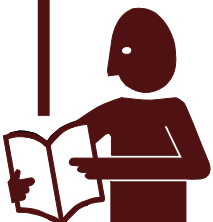
IMPORTANT:

The purchaser of this equipment must post in a prominent location instructions to be followed in the event the user smells gas. This information shall be obtained by consulting the local gas supplier.

IMPORTANT: DO NOT DISCARD THIS MANUAL

This manual is considered to be part of the appliance and is to be given to the OWNER or MANAGER of the restaurant, or to the person responsible for TRAINING OPERATORS of this appliance. Additional manuals are available from your WELLS DEALER.

**THIS MANUAL MUST BE READ AND UNDERSTOOD BY ALL PERSONS USING OR
INSTALLING THIS APPLIANCE.** Contact your WELLS DEALER if you have any
questions concerning installation, operation or maintenance of this equipment.



LIMITED EQUIPMENT WARRANTY

Wells Manufacturing warranties new products to be free from defects in material and/or workmanship for a period of one [1] year from the date of original installation, except as noted below. Defects that occur as a result of normal use, within the time period and limitations defined in this warranty, will at Wells' discretion have the parts replaced or repaired by Wells or a Wells-authorized service agency.

THIS WARRANTY IS SUBJECT TO ALL LISTED CONDITIONS.

Repairs performed under this warranty are to be performed by a Wells-authorized service agency. Wells will not be responsible for charges incurred or service performed by non-authorized repair agencies.

In all cases, the nearest Wells-authorized service agency must be used.

Wells will be responsible for normal labor charges incurred in the repair or replacement of a warrantied product within 50 miles (80.5 km) of an authorized service agency. Time and expense charges for anything beyond that distance will be the responsibility of the owner. All labor will need to be performed during regular service hours. Any overtime premium will be charged to the owner. For all shipments outside the U.S.A. and Canada, please see the International Warranty for specific details.

It is the responsibility of the owner to inspect and report any shipping damage claims, hidden or otherwise, promptly following delivery.

No mileage or travel charges will be honored on any equipment that is deemed portable. In general, equipment with a cord and plug weighing less than 50 lb. (22.7 kg) is considered portable and should be taken or shipped to the closest authorized service agency, transportation prepaid.

CONTACT

Should you require any assistance regarding the operation or maintenance of any Wells equipment; write, phone, fax or email our service department. In all correspondence mention the model number and the serial number of your unit, as well as the voltage or type of gas you are using.

Business hours are 8:00 a.m. to 4:30 p.m. Central Standard Time
 Telephone 314.678.6314
 Fax 314.781.2714
 Email customerservice@star-mfg.com
 www.wells-mfg.com

WARRANTY EXCLUSIONS

THE FOLLOWING WILL NOT BE COVERED UNDER WARRANTY.

- Any product which has not been installed, cleaned, maintained, or used in accordance with the directions published in the appropriate installation sheet and/or owner's manual as well as national and local codes, including incorrect gas or electrical connection. Wells is not liable for any unit which has been mishandled, abused, misapplied, subjected to chlorides, harsh chemicals, or caustic cleaners, damaged from exposure to hard water, modified by unauthorized personnel, damaged by flood, fire, or other acts of nature [or God], or which have an altered or missing serial number.
- Installation, labor, and job checkouts, calibration of heat controls, air and gas burner/bypass/pilot adjustments, gas or electrical system checks, voltage and phase conversions, cleaning of equipment, or seasoning of griddle surface.
- Replacement of fuses or resetting of circuit breakers, safety controls, or reset buttons.
- Replacement of broken or damaged glass components, quartz heating elements, and light bulbs.
- Labor charges for all removable parts in gas charbroilers and hotplates, including but not limited to burners, grates, and radiants.
- Any labor charges incurred by delays, waiting time, or operating restrictions that hinder a service technician's ability to perform service.
- Parts that fail or are damaged due to normal wear or labor for replacement of Items that can easily be replaced during a daily cleaning routine. such as but not limited to silicone belts, PTFE non-stick sheets, knobs, control labels, bulbs, fuses, quartz heating elements, baskets, racks, and grease drawers.
- Components that should be replaced when damaged or worn, but have been field-repaired instead [eg. field-welded fry pots].
- Any loss of business or profits.

ADDITIONAL WARRANTIES

Specialty/chain specific versions may also have additional and/or extended warranties.

PRODUCTS	PARTS	LABOR
universal ventless hoods	2 years	1 year
canopy hoods	2 years	1 year
"Cook'n Hold" equipment [HW10, HWSMP, LLSC7, LLSC7WA, LLSC11, and LLSC11WA]	2 years	1 year
cast iron grates, burners, and burner shields	1 year	
original Wells parts sold to repair Wells equipment	90 days	
Service First	1 year	

TABLE OF CONTENTS

ENGLISH	
WARRANTY	
SPECIFICATIONS	1
FEATURES & OPERATING CONTROLS	2
PRECAUTIONS & GENERAL INFORMATION	3
AGENCY LISTING INFORMATION	3
INSTALLATION	4
OPERATION	8
CLEANING INSTRUCTIONS	10
TROUBLESHOOTING SUGGESTIONS	12
PARTS & SERVICE	13
CUSTOMER SERVICE DATA	13
ENGLISH / FRANÇAIS	
GAS CONVERSION CHART	
GRAPHIQUE DE CONVERSION	14
EXPLODED VIEW & PARTS LIST	
LA VUE EXPLOSEE & LES PARTIES ENUMERENT	15
FRANÇAIS	
DESCRIPTION ET AVERTISSEMENTS DE SÛRETÉ	16
SPÉCIFICATIONS	17
FONCTIONNALITÉS ET COMMANDES	18
PRÉCAUTIONS & RENSEIGNEMENTS D'ORDRE GÉNÉRAL	19
INFORMATIONS CONCERNANT LES AGENCES	19
INSTALLATION	20
FONCTIONNEMENT	24
INSTRUCTIONS POUR LE NETTOYAGE	26
CONSEILS POUR LE DÉPANNAGE	28

INTRODUCTION

Thank You for purchasing this Wells Manufacturing appliance.

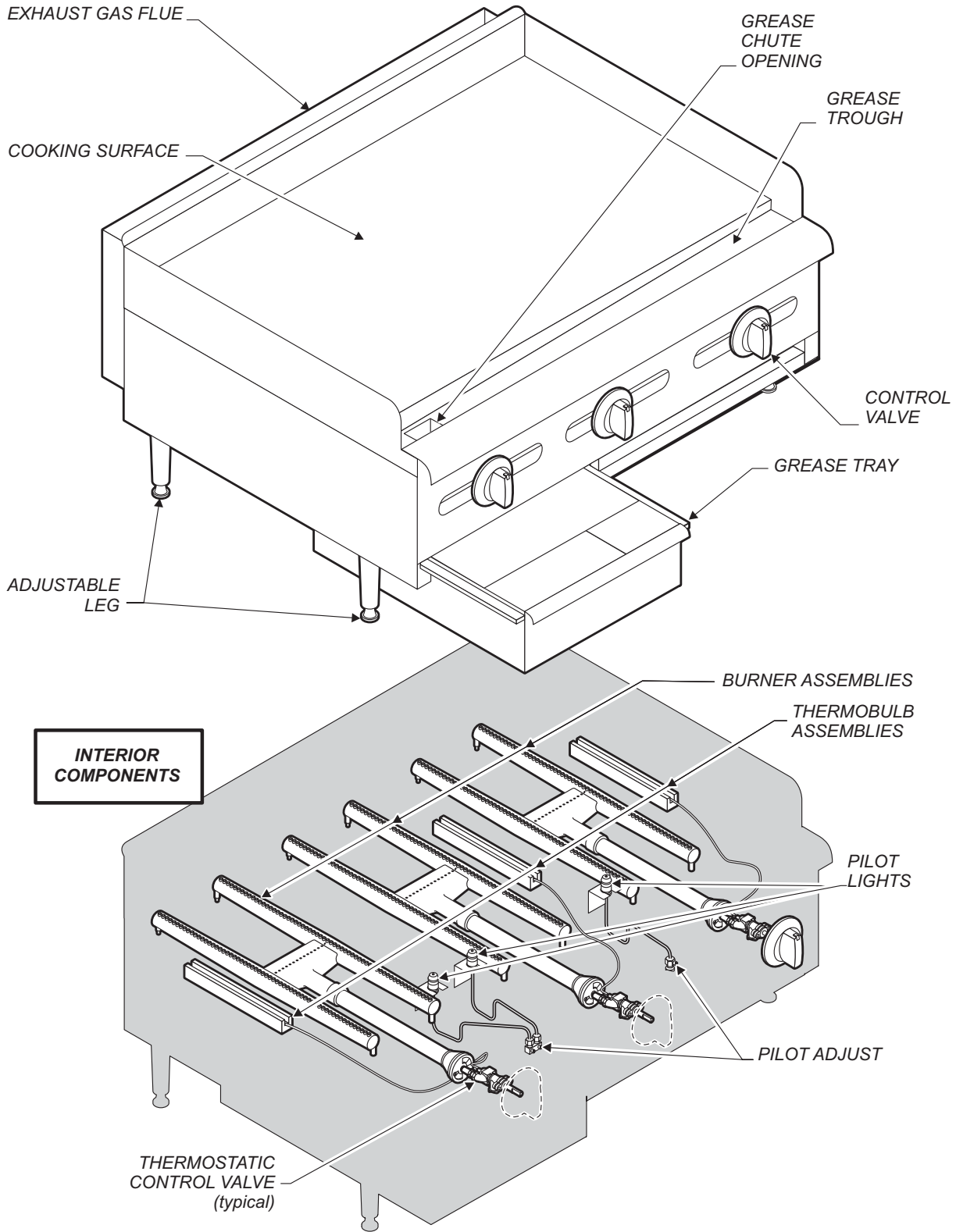
Proper installation, professional operation and consistent maintenance of this appliance will ensure that it gives you the very best performance and a long, economical service life.

This manual contains the information needed to properly install this appliance, and to use and care for the appliance in a manner which will ensure its optimum performance.

SPECIFICATIONS

MODEL	STYLE	FUEL	MANIFOLD PRESSURE	B.T.U. per HOUR
HDTG-2430G	2 Dual Burners w/ Individual Control	Natural Gas	5.0" W.C.	60,000
		Propane (LP)	10" W.C.	
HDTG-3630G	3 Dual Burners w/ Individual Control	Natural Gas	5.0" W.C.	90,000
		Propane (LP)	10" W.C.	
HDTG-4830G	4 Dual Burners w/ Individual Control	Natural Gas	5.0" W.C.	120,000
		Propane (LP)	10" W.C.	
HDTG-6030G	5 Dual Burners w/ Individual Control	Natural Gas	5.0" W.C.	150,000
		Propane (LP)	10" W.C.	

FEATURES & OPERATING CONTROLS



M123 2M-307735 Owners Manual for HDTG-Series Heavy-Duty Gas Griddles

Fig. 1 HDTG Heavy Duty Gas Griddle - Features & Operating Controls

PRECAUTIONS AND GENERAL INFORMATION

This appliance is intended for use in commercial establishments only.

This appliance is intended to prepare food for human consumption. No other use is recommended or authorized by the manufacturer or its agents.

This appliance must be installed by a technician qualified and certified or licensed to install gas-fired equipment. A licensed technician must perform the initial start-up and adjustment of the appliance.

Operators of this appliance must be familiar with the appliance use, limitations and associated restrictions. Operating instructions must be read and understood by all persons using or installing this appliance.

Cleanliness of this appliance is essential to good sanitation. Read and follow all included cleaning instructions and schedules to ensure the safety of the food product.

DO NOT submerge appliance or burners in water. This appliance is not jet stream approved. DO NOT direct water jet or steam jet at this appliance, or at any control. DO NOT splash or pour water on, in or over any controls. DO NOT wash counter around this appliance with water jet. Burners which have become wet must be thoroughly dried before use.

Griddle surface will be very hot when in use. Contact will cause severe injury.

This appliance must be operated with the supplied 4" legs properly installed.

Do not operate this appliance if the smell of gas is present. Turn off all gas supply valves and move to a remote location to call your Authorized Wells Service Agent for service.

The technical content of this manual, including any parts breakdown illustrations and/or adjustment procedures, is intended for use by qualified technical personnel only.

Any procedure which requires the use of tools must be performed by a qualified technician.

This manual is considered to be a permanent part of the appliance. This manual and all supplied instructions, diagrams, schematics, parts breakdown illustrations, notices and labels must remain with the appliance if it is sold or moved to another location.



**WARNING:
FIRE HAZARD**

All servicing of the gas supply and combustion components of this appliance must be performed by a technician trained and certified in the maintenance of gas appliances. Improper servicing of gas equipment can result in fire and explosion.



**CAUTION:
HOT SURFACE**

Exposed surfaces can be hot to the touch and may cause burns.

AGENCY LISTING INFORMATION

This appliance conforms to NSF Standard 4 for sanitation only if installed in accordance with the supplied *Installation Instructions* and maintained according to the instructions in this manual.



STD 4

This appliance meets ANSI Z.83.11 specifications for gas-fired food service equipment.



This appliance is Canadian Standards Association design certified for gas operation

INSTALLATION

NOTE: DO NOT discard the carton or other packing materials until you have inspected the appliance for hidden damage and tested it for proper operation. Refer to *SHIPPING DAMAGE CLAIM PROCEDURE* on the inside front cover of this manual.



This appliance must be properly ventilated. Failure to provide and maintain proper ventilation of exhaust gasses can result in severe injury or death.



Do not store gasoline or any other flammable or combustible material near this appliance. The open flame can cause such materials to ignite.

The area where the griddle is installed must be kept clear of combustibles and flammables. This includes mops, rags, grease, wrapping paper and electric cords.

NOTICE: Manufacturer's warranty on this griddle is in effect only when the griddle is installed in accordance with these instructions and local codes and ordinances or, in the absence of local codes, the National Fuel Gas Code, ANSI Z223.1 (current edition). The manufacturer of this griddle assumes no liability for any damage or injury resulting from failure to comply with this notice.

UNPACKING & INSPECTION

Carefully remove the appliance from the carton. Remove all protective plastic film, packing materials and accessories from the appliance before connecting performing any installation procedure.

Carefully read all instructions in this manual and the *Installation Instruction Sheet* packed with the appliance before starting any installation.

Read and understand all labels and diagrams attached to the appliance.

Carefully account for all components and accessories before discarding packing materials. Store all accessories in a convenient place for later use.

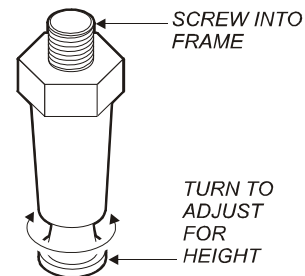
COMPONENTS

Dual Burner (-2430G, 2 ea.; -3630G, 3 ea.; -4830H, 4 ea.)
Adjustable Legs (set of 4)
Grease Tray (-2430G, 1 ea.; -3630G, 1 ea.; -4830H, 2 ea.)

SETUP

Setup the griddle only on a firm, level, non-combustible surface. Verify local codes for requirements. Concrete, tile, terrazzo or metal surfaces are recommended. Metal or tile over combustible material may not meet code for non-combustible surfaces.

Install the provided adjustable legs, one on each corner of the appliance, in the holes provided. Verify that the unit sits firmly ON ALL FOUR LEGS. With the adjustable legs, adjust as required to level the appliance. All four legs must be adjusted to firmly contact the countertop in order to prevent tipping.



Adequate clearance for air openings in the cabinet must be provided. Refer to the *Installation Instruction Sheet* for required clearances. Maintain required clearances between the appliance and adjacent combustible surfaces.

The griddle must be installed in an area with sufficient make-up air for proper combustion, and must be installed such that the flow of combustion and ventilation air will not be obstructed.

When used with an exhaust fan, special precautions must be observed to avoid interference with the operation of the griddle, such as drafts and air starvation.

GAS APPLIANCE CODE COMPLIANCE

The installation of gas piping from the outlet side of the gas meter or service regulator to the griddle must be performed by a technician qualified and certified or licensed to install gas-fired equipment.

A licensed and qualified technician must perform the initial startup and adjustment of this appliance.

The installation of this gas-fired appliance must conform to local codes, or in the absence of such codes, with the current edition of National Fuel Gas Code ANSI Z223.1.

For use in the State of Massachusetts, this appliance must be installed in compliance with **Massachusetts Fuel Gas and Plumbing Code CMR 248**.

The installation of this gas-fired appliance must comply with applicable portions of NFPA 96 for ventilation. The current edition of NFPA 96 (*Standard for the Installation of Equipment for the Removal of Smoke and Grease Laden Vapors from Commercial Cooking Equipment*) specifies ventilation requirements to ensure the removal of exhaust gasses and products of combustion.

IT IS THE RESPONSIBILITY OF THE INSTALLER TO ENSURE THAT THIS GAS GRIDDLE INSTALLATION CONFORMS TO ALL APPLICABLE CODES AND ORDINANCES.

The venting of this appliance must not be obstructed, nor may such venting interfere with the flow of combustion air required for proper operation of the gas burners.

Additionally:

1. The gas supply line used to connect the griddle to the gas supply system must be black iron pipe, or other material as approved by local ordinance for gas piping.
2. Gas supply piping must be inside 3/4" diameter or greater.
3. Use pipe sealant made specifically for gas piping on all pipe joints. Apply sealant sparingly to the male threads only. Sealant must be resistant to the action of LP gas.
4. Verify that all supply piping is clean and free of obstructions, dirt, chips and pipe sealant compound prior to installation.
5. All pipe joints must be checked for leaks before lighting. Leak checks should be performed with a soap and water solution. **NEVER CHECK FOR LEAKS WITH AN OPEN FLAME.**



**DANGER:
FIRE AND
EXPLOSION
HAZARD**

NEVER use an open flame to check for gas leaks. Fire and explosion may result.



**WARNING:
RISK OF INJURY**

Installation procedures must be performed by a qualified technician with full knowledge of all applicable gas-fired appliance codes. Failure can result in personal injury and property damage.

IMPORTANT:

All pipe joints must be checked for leaks before lighting. Leak checks should be performed with a soap and water solution.

IMPORTANT:

Information on the construction and installation of ventilating hoods may be obtained from the current edition of NFPA 96 *Standard for the Installation of Equipment for the Removal of Smoke and Grease Laden Vapors from Commercial Cooking Equipment*. Copies of this standard are available from the Nation Fire Protection Assn.:

NFPA
1 Batterymarch Park
P.O. Box 9101
Quincy, MA 02269-9101

INSTALLATION (continued)



**DANGER:
FIRE AND
EXPLOSION
HAZARD**

NEVER use an open flame to check for gas leaks. Fire and explosion may result.

IMPORTANT:

All pipe joints must be checked for leaks before lighting. Leak checks should be performed with a soap and water solution.



**WARNING:
FIRE HAZARD**

This griddle is supplied with a gas pressure regulator. Failure to properly install the supplied regulator will result in an extremely hazardous condition.

Flow arrow stamped on body of regulator must point toward the griddle.

Vent hole must point UP.

IMPORTANT:

Verify fuel gas type. If the available fuel does not match the nameplate specification, exchange the hotplate for the correct type.

IMPORTANT:

The appliance and its individual manual shutoff valve must be disconnected from supply system piping during any pressure testing of that system at pressures in excess of 1/2 p.s.i. (3.5 kPa).

Also, the appliance must be isolated from the gas supply piping system by closing its individual manual shutoff valve during any pressure testing of the gas supply piping at test pressures equal to or less than 1/2 p.s.i. (3.5 kPa).

INSTALLING THE GAS GRIDDLE

Refer to the nameplate. Verify the fuel type and pressure, which must match the nameplate specifications. Connecting the hotplate to the wrong fuel type and/or pressure will compromise the safety and/or performance of the appliance.

BE SURE TO MAINTAIN REQUIRED CLEARANCES TO COMBUSTIBLE SURFACES.

The griddle must be placed in its final operational position and leveled front-to-back and side-to-side, with a spirit level, prior to beginning the gas piping installation. Re-check the level of the unit at the conclusion of the gas piping installation.

Each gas griddle is supplied with a separate gas pressure regulator, which must be installed on the manifold pipe protruding from the rear of the griddle. Ensure that the regulator is installed such that the flow arrow stamped on the body of the regulator points toward the griddle. Failure to properly install the supplied regulator will result in an extremely hazardous condition.

A moisture trap (drip leg) consisting of a tee, 4" nipple pointing down, and cap must be installed upstream of the gas pressure regulator.

A manual gas shut-off valve may be required by local codes and is, in any case, strongly recommended. The shut-off valve must be installed between the gas supply piping and the gas pressure regulator.

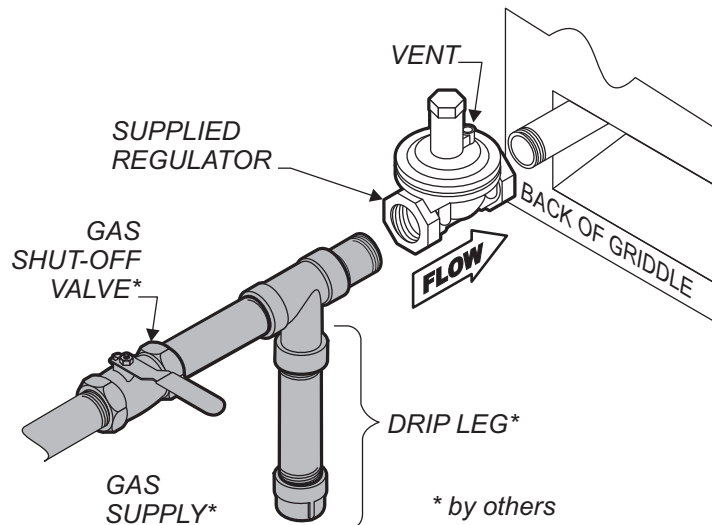


Fig. 2 Gas Supply Piping

It is the responsibility of the gas piping installer to identify the code requirement for a shut-off valve.

Shut-off valves, moisture trap and all associated piping must be supplied by the gas piping installer.

SET GAS PRESSURE:

Gas pressure regulator is factory set.

SET PILOT FLAME:

Remove all burner control knobs, then remove the front panel.

The pilot adjustments are near the control valve for each set of burners.

Using a small, flat-blade screwdriver, turn the screw clockwise to decrease the flame size, or counter-clockwise to increase the flame size.

Adjust the pilot flame to 1/4" high. Test for operation: all sections of the burner must light without undue delay. Drafty conditions may require a higher flame to allow the pilot to remain lit.

Replace the front panel and all knobs before returning the unit to service.

IMPORTANT:

Adjustments must be performed by a qualified technician only.

IMPORTANT:

The griddle is shipped from the factory equipped for natural gas and adjusted for sea level to 2000 feet elevation. For conversion to LP / Propane, or for operation above 2000 feet elevation, contact your Authorized Wells Service Agency.

ADJUST BURNER FLAME:

Remove all burner control knobs, then remove the front panel.

Turn an individual burner on.

Loosen the locking screw on the shutter.

Turn the shutter to admit more or less air as required. Adjust the air shutter until the flame is mostly blue in color.

Tighten the locking screw when finished. Replace the front panel and all knobs before returning the unit to service.

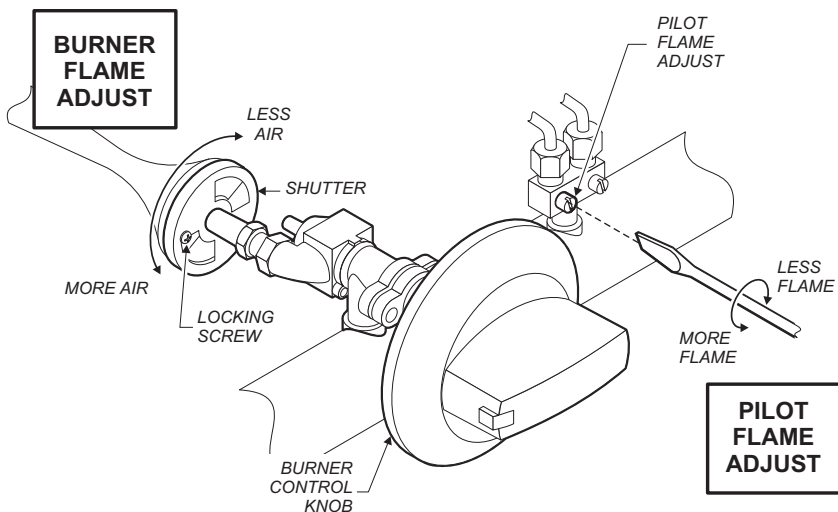


Fig. 3 Flame Adjustments

OPERATION

**WARNING:
FIRE HAZARD**

IF YOU SMELL GAS:

- ❑ DO NOT try to light any appliance.
- ❑ DO NOT touch any electrical switch
- ❑ DO NOT use any telephone in your building.

In the event a gas odor is detected, shut down the unit at the main gas shutoff valve and contact your local gas supplier from a neighboring location.

Follow the instructions received from the gas supplier immediately and exactly.

GENERAL OPERATIONAL NOTES

Carefully read the description of the griddle operation on the specification sheet.

Do NOT use this appliance if it has been submerged in water. Call a qualified technician to examine the appliance and to service or replace any component which has been submerged. Burners which have been allowed to become wet must be thoroughly dried before use.

For initial startup, and any time the gas supply has been shut-off, it may take several minutes to light the pilot while air in the piping and manifolds is purged.

The burner control knobs must be turned by hand only. Never use tools to turn the control knob. If the knob will not turn by hand, DO NOT attempt to force or repair it. Contact your Authorized Wells Service Agency for repairs. Forced or improperly repaired valves pose the risk of fire and/or explosion.

Make sure burners, pilot burner and grease tray are properly installed before attempting to operate.

LIGHTING THE PILOT FLAME

Before lighting the pilot light, smell all around the appliance area for gas. Be sure to smell near floor level because some gas is heavier than air and will settle to the floor.

For initial startup, and any time the gas supply has been shut-off, it may take several minutes to light the pilot while air in the piping and manifolds is purged.

The pilot light must be lighted by hand:

Turn all control knobs to the full OFF position.

The pilot is located adjacent to one leg of the burner, and is accessible through the front panel opening.

Be sure the gas shut-off valve is ON and the appliance has had time for the air to be purged from the lines. Attempt to light the pilot every 15 seconds after the gas valve is turned on.

Light the pilot with a long match or fireplace lighter. DO NOT use a cigarette lighter.

SHUT DOWN INSTRUCTIONS

Turn all burner knobs to *OFF*.

Turn all pilots *OFF*.

Turn the main gas supply *OFF*.

SEASON THE GRIDDLE SURFACE

As manufactured, the steel surface of your Wells griddle has microscopic pores. It is important to fill these pores with oil in order to provide a hard, non-stick cooking surface.

- a. Preheat the griddle surface to 375°F (191°C).
- b. Spread a light film of cooking oil over the entire griddle surface
- c. Allow the oil film to cook in for approximately 2 minutes, or until it smokes.
- d. Wipe the griddle surface with a clean damp cloth until all oil is removed.
- e. For new griddles, repeat this procedure 2-3 times until the griddle has a slick, clean surface.

OPERATION

Inspect the unit for cleanliness before use. Clean as necessary: See *Cleaning Instructions*, page 10.

Be sure the pilot light is lit before operation. See *Lighting the Pilot Light*, page 8.

The burner control knobs must be turned by hand only. Never use tools to turn the control knob.

The control used in this gas griddle provides a continuous range of settings from approximately 200°F (93°C) to 450°F (230°C).

Light the burner by turning the control knob to the highest setting until fire forms completely in all sections of the burner. Set the control knob to the desired temperature. The setting can be readjusted at any time. Turn knob fully clockwise to turn burner off.

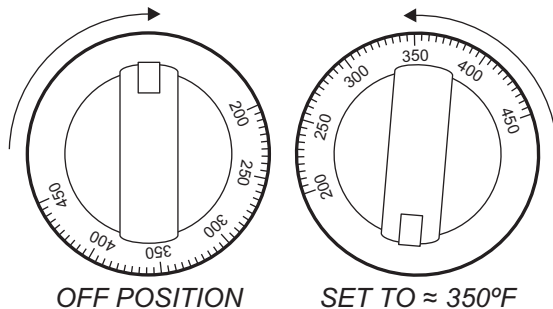


Fig. 4 Burner Control

Cooking Recommendations:

Save energy by turning the temperature control knob OFF any time the griddle is not in use. Gas burners provide full heat instantly, making it unnecessary to leave the unit on during intermittent use.



WARNING:
FIRE HAZARD

NEVER attempt to force or repair a stuck control valve. Contact your Authorized Wells Service Agency for repairs. Forced or improperly repaired valves pose the risk of fire and/or explosion.



WARNING:
FIRE AND EXPLOSION HAZARD

If the pilot light should be extinguished, turn off the gas shut-off valve. Allow the appliance to vent for five minutes before attempting to re-light.



CAUTION:
HOT SURFACE

Exposed surfaces can be hot to the touch and may cause burns.

CLEANING INSTRUCTIONS**WARNING:
FIRE HAZARD**

Shut off the gas supply valve before cleaning.

**CAUTION:
BURN HAZARD**

Allow hotplate to cool completely before cleaning.

PREPARATION

Turn control valve to a low setting before cleaning.
Allow griddle to cool to this lower setting before cleaning.

FREQUENCY

Daily

TOOLS

Bristle Brush
Clean Cloth or Sponge
Mild Detergent
Cleaner Formulated for Stainless Steel
Warm Water

IMPORTANT: DO NOT spill or pour water into controls.

DO NOT submerge griddle cabinet in water. Damage to internal components will occur.

Damage to internal components from water damage is NOT covered by warranty.

DO NOT steel wool or metal scouring pads to clean cabinet or grease tray.

Good sanitation is vital to the quality of the final food product. Be sure to clean in all corners and crevices where grease and other cooking debris can accumulate.

DAILY CLEANING

1. Pour a small amount of water on the griddle surface and let it "sizzle".
2. Clean the griddle surface. Use a pumice stone or griddle brick to scrape food waste. Clean the griddle surface down to bright metal. Wipe off any remaining powder residue.

IMPORTANT: NEVER USE STEEL WOOL TO CLEAN THE GRIDDLE SURFACE!

DO NOT use detergent or oven cleaner to clean the griddle surface.

3. Use a soft-bristled fiber brush in a circular motion to remove any remaining food particles.
4. Turn temperature control to *OFF*. Allow the griddle surface to cool, then wipe the surface with a clean cloth. Dry the griddle surface thoroughly.

IMPORTANT: SEASON THE COOKING SURFACE AFTER EACH CLEANING. See page 9.

5. At least once each day, the grease trough must be thoroughly cleaned. Using a scraper, remove all grease and food waste from the grease trough by pushing it down the waste hole and into the grease tray.
6. After scraping all cooking waste from grease trough into the grease tray, take the grease drawer to the kitchen cleaning area and properly dispose of all waste.
 - a. Clean drawer with hot water and a mild detergent.
 - b. Dry drawer thoroughly and reinstall in griddle.
7. Wipe down exterior of griddle cabinet with a clean cloth and non-abrasive cleanser. Rinse thoroughly with water and a clean cloth. Dry with a soft clean cloth.

Procedure is complete.

CLEANING INSTRUCTIONS (continued)

PREPARATION

Turn gas shut-off valve OFF.
Allow griddle to cool before cleaning.

FREQUENCY

As Needed

TOOLS

Bristle Brush
Clean Cloth or Sponge
Mild Detergent
Cleaner Formulated for Stainless Steel
Warm Water



WARNING:
FIRE HAZARD

Shut off the gas supply valve before cleaning.

CLEANING BURNERS

If one or more individual flame openings does not light, or if the flame is intermittent or uneven, the burner may need to be cleaned.

Turn shut-off valve OFF. Remove all control knobs and remove front panel.

Note position of burner assemblies in cabinet. Remove burners.

Examine burner assemblies. Note position of air shutters before cleaning. Clean food particles from burners with warm water, mild detergent and a bristle brush. Rinse by wiping with a soft cloth dampened with clean water. Wipe exterior surfaces dry with a soft clean cloth. Allow burners to air dry so that interior passages are completely free of water.

Examine burners to be sure the air shutters are in their proper position. Reinstall burners with flame openings "up". The venturi / air shutter slides over the nozzle of the control valve. The pegs on the rear of the burner set in corresponding notches in the rear burner support bracket. The pegs on the front of the burner set on the front support bracket.

Turn shut-off valve ON and light pilot light.

Reinstall front panel and all control knobs.

Test all burners for proper operation.

Procedure is complete.

IMPORTANT: DO NOT spill or pour water into burners or controls,

DO NOT submerge griddle cabinet in water. Damage to internal components will occur. Damage to internal components from water damage is NOT covered by warranty.

TROUBLESHOOTING

SYMPTOM	POSSIBLE CAUSE	SUGGESTED REMEDY
Pilot will not light	Gas supply off	Check main / unit gas valves
	Air in lines	Turn pilot valve on. Attempt to light pilot every 15 sec.
	Pilot valve not on	Turn pilot valve on / adjust
Burners won't light	Gas supply off	Check main / unit gas valves
	Air in lines	Turn gas valve on. Attempt to light pilot every 15 sec.
	Pilot burner not lit	Turn off gas - allow unit to vent for 5 minutes. Turn gas back on and light pilot
One burner assembly won't light	Control not set high enough	Turn control knob to desired temperature Set to desired setting when lit
	Water in burner	Remove burner and dry thoroughly
	Damaged temperature control, burner or other internal component	Contact Authorized Wells Service Agency for repairs
Portions of a burner won't light or have erratic flame	Burner wet or flame opening(s) clogged	Clean and dry burner
One burner does not control or does not shut off	Damaged thermostat, thermobulb or capillary	Contact Authorized Wells Service Agency for repairs
Burner not hot enough	Temperature control not set	Adjust for desired temperature
	Shutter or nozzle out of adjustment	Contact qualified technician for adjustment
	Damaged temperature control, burner or other internal component	Contact Authorized Wells Service Agency for repairs

NOTE: There are no user serviceable components in the burner assemblies or in the control valves. In all cases of damage or malfunction, contact your Authorized Wells Service Agency for repairs.

DESCRIPTION

PART NO.

LEGS, ADJUSTABLE 4" METAL (SET of 4)

20563

IMPORTANT: Use only factory authorized service parts and replacement filters.

For factory authorized service, or to order factory authorized replacement parts, contact your Wells authorized service agency, or call:

Wells Manufacturing

265 Hobson Street
Smithville, Tennessee 37166 U.S.A.

Service Dept.

phone: (314) 781-2777

fax: (314) 781-2714

Service Parts Department can supply you with the name and telephone number of the **WELLS AUTHORIZED SERVICE AGENCY** nearest you.

CUSTOMER SERVICE DATA

please have this information available if calling for service

RESTAURANT _____ LOCATION _____

INSTALLATION DATE _____ TECHNICIAN _____

SERVICE COMPANY _____

ADDRESS _____ STATE _____ ZIP _____

TELEPHONE NUMBER (____) _____ - _____

EQUIPMENT MODEL NO. _____

EQUIPMENT SERIAL NO. _____

FUEL (check one) NATURAL GAS PROPANE / LP

GAS ORIFICE CONVERSION CHART

CONVERSION CHART - GRIDDLE		
NATURAL GAS	ELEVATION	LP / PROPANE
-	SEA LEVEL - 2000'	KIT NO. 23154
KIT NO. 23149	2,000' - 2,999'	KIT NO. 23155
KIT NO. 23150	3,000' - 3,999'	KIT NO. 23156
	4,000' - 4,999'	
KIT NO. 23151	5,000' - 5,999'	
	6,000' - 6,999'	
KIT NO. 23152	7,000' - 7,999'	
	8,000' - 8,999'	
KIT NO. 23153	9,000' - 9,999'	
	ABOVE 10,000'	

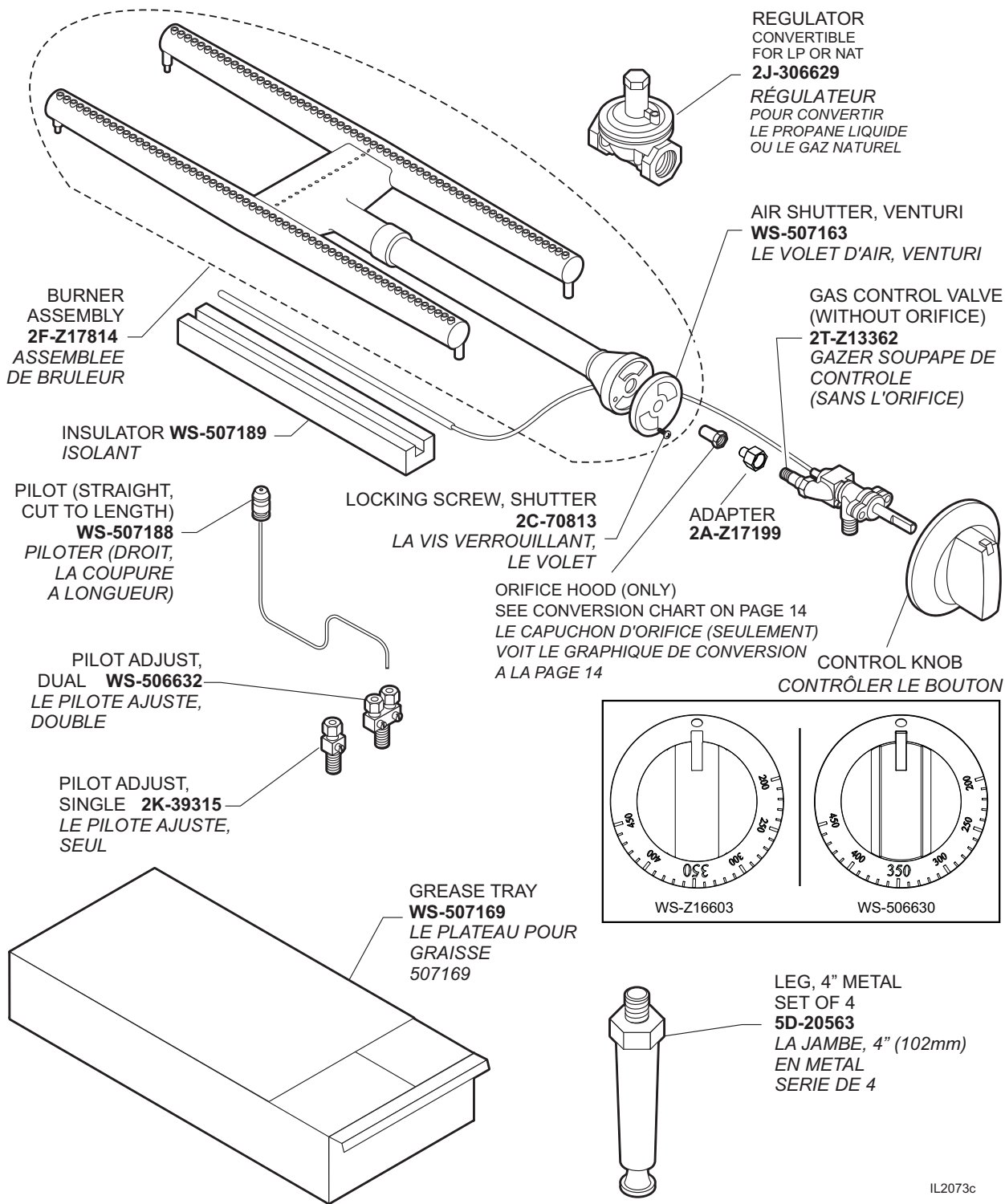
GRAPHIQUE DE CONVERSION - LE CAPUCHON D'ORIFICE

GRAPHIQUE DE CONVERSION - GRILL PROFESSIONNEL		
GAZ NATUREL	ELEVATION	PROPANE / GPL
-	NIVEAU DE LA MER - 2000' (610M)	KIT NO. 23154
KIT NO. 23149	2,000' - 2,999' (610M - 914M)	KIT NO. 23155
KIT NO. 23150	3,000' - 3,999' (915M - 1219M)	KIT NO. 23156
	4,000' - 4,999' (1220M - 1524M)	
KIT NO. 23151	5,000' - 5,999' (1525M - 1829M)	
	6,000' - 6,999' (1830M - 2133M)	
KIT NO. 23152	7,000' - 7,999' (2134M - 2438M)	
	8,000' - 8,999' (2439M - 2743M)	
KIT NO. 23153	9,000' - 9,999' (2744M - 3048M)	
	AU-DESSUS DE 10,000' (3049M)	

M123 2M-30735 Owners Manual for HD TG-Series Heavy-Duty Gas Griddles

EXPLODED VIEW & PARTS LIST
LA VUE EXPLOSEE & LES PARTIES ENUMERENT

HDTG-SERIES HEAVY-DUTY GAS GRIDDLE SERVICE COMPONENTS
COLLECTION -HDTG GRILL DE GAZ TRES RESISTANT COMPOSANTS DISPONIBLES



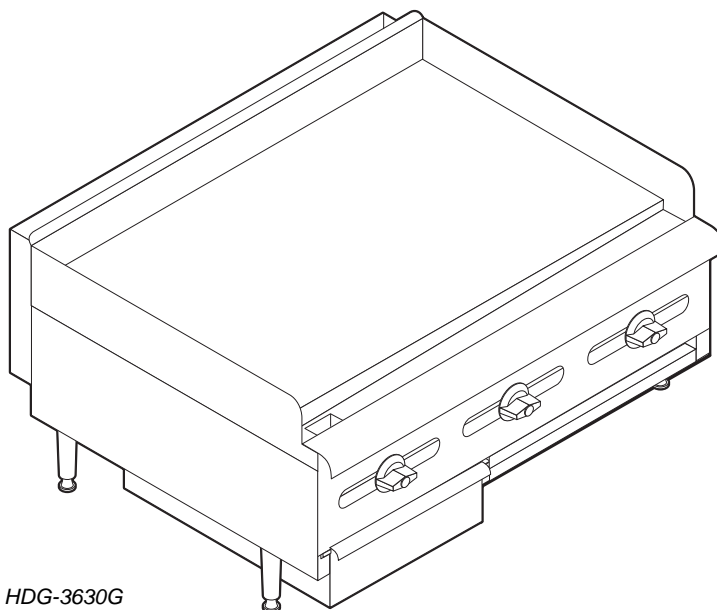
ENGLISH
 FRANÇAIS

M123 2M-307735 Owners Manual for HDTG-Series Heavy-Duty Gas Griddles

IL2073c

MANUEL DE L'UTILISATEUR

WELLS GRILL PROFESSIONNEL



Modèle HDG-3630G

MODÈLES
HDTG-2430G
HDTG-3630G
HDTG-4830G
HDTG-6030G

Comprend :
INSTALLATION,
MODE D'EMPLOI
& ENTRETIEN

POUR VOTRE SÉCURITÉ

Ne pas stocker d'essence ou d'autres liquides inflammables au voisinage de cet appareil ou autres appareils ménagers.

AVERTISSEMENT !

L'installation, le réglage, les modifications, l'entretien ou la maintenance effectués de manière incorrecte peuvent entraîner des dommages matériels, corporels ou même la mort. Lire attentivement les instructions relatives à l'installation, au fonctionnement, à l'entretien et à la maintenance avant d'installer ou de réparer l'équipement.

IMPORTANT :

L'acquéreur de ce matériel doit afficher, en pleine vue du public, les instructions à suivre en cas de détection d'une odeur de gaz par l'utilisateur. Cette information doit être obtenue après consultation de la société locale distributrice du gaz.

IMPORTANT : NE PAS JETER CE GUIDE

Ce guide fait partie de l'appareil et doit être remis au propriétaire, au directeur du restaurant ou à la personne responsable de la formation des utilisateurs de l'appareil. Des guides supplémentaires sont disponibles chez votre distributeur Wells.

Ce guide doit être lu et compris par toutes personnes installant ou utilisant cet appareil.

Contactez votre distributeur Wells pour toutes questions au sujet de l'installation, du fonctionnement ou de l'entretien de cet appareil.

TABLE DES MATIÈRES

FRANÇAIS

DESCRIPTION ET AVERTISSEMENTS DE SÛRETÉ	14
SPÉCIFICATIONS	15
FONCTIONNALITÉS ET COMMANDES	16
PRÉCAUTIONS & RENSEIGNEMENTS D'ORDRE GÉNÉRAL	17
INFORMATIONS CONCERNANT LES AGENCES	17
INSTALLATION	18
FONCTIONNEMENT	22
INSTRUCTIONS POUR LE NETTOYAGE	24
CONSEILS POUR LE DÉPANNAGE	26

INTRODUCTION

Merci d'avoir acquis cet appareil Wells Manufacturing. L'installation correcte, le fonctionnement professionnel et l'entretien régulier de cet appareil assureront ses meilleures performances et sa longue durée de service aux meilleurs coûts. Le présent manuel contient l'information nécessaire pour installer correctement l'appareil et pour l'utiliser et l'entretenir de manière à ce qu'il fonctionne avec des performances optimales.

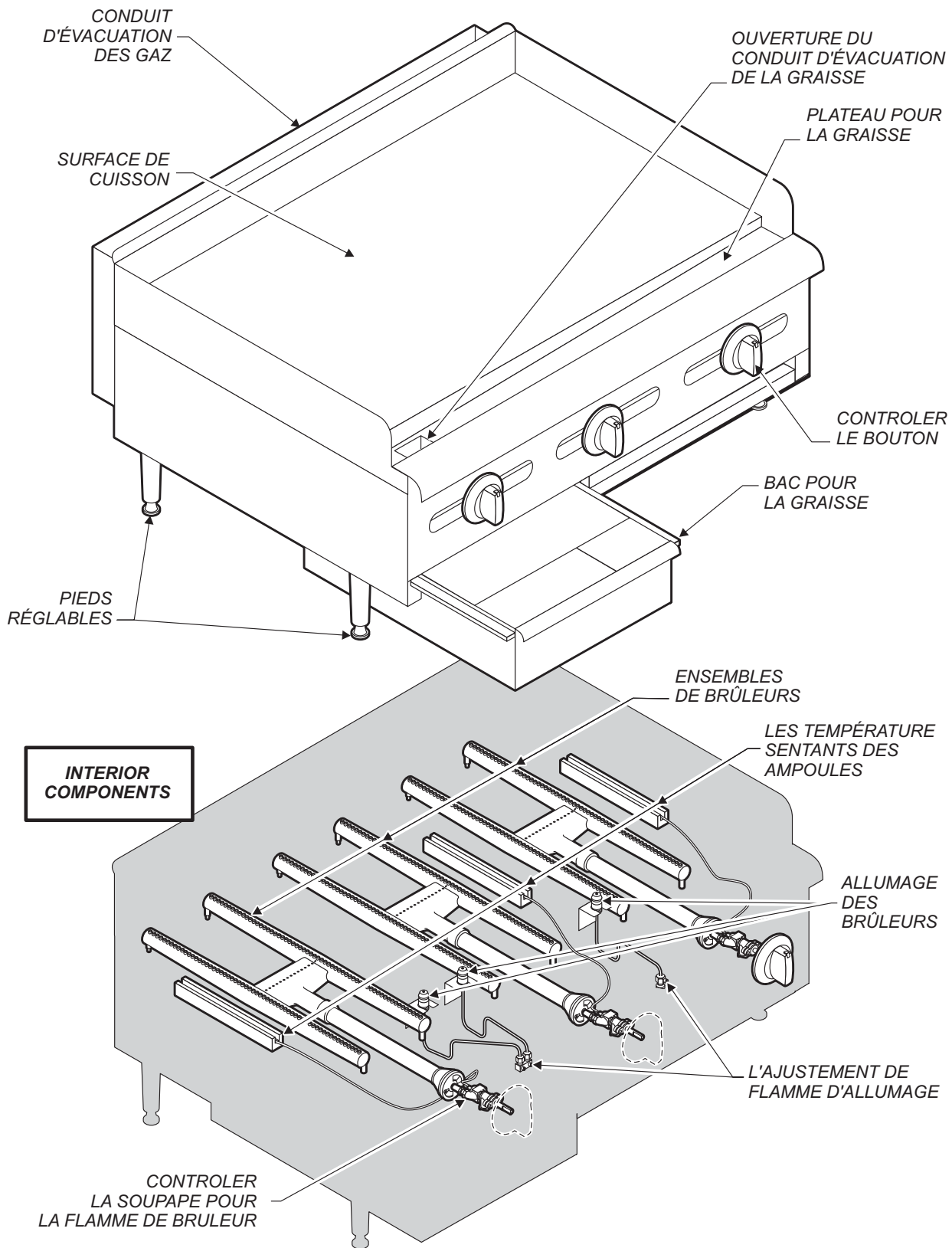
SPÉCIFICATIONS

MODÈLE	STYLE	COMBUSTIBLE	PRESSION DU COL-LECTEUR	CONSOMMATION D'ÉNERGIE TOTALE (BTU) par heure
HDTG-2430G	2 Double brûleurs w/ contrôle individuel	Gaz naturel	5.0" W.C.	60,000
		Propane*	10" W.C.	
HDTG-3630G	3 Double brûleurs w/ contrôle individuel	Gaz naturel	5.0" W.C.	90,000
		Propane*	10" W.C.	
HDTG-4830G	4 Double brûleurs w/ contrôle individuel	Gaz naturel	5.0" W.C.	120,000
		Propane*	10" W.C.	
HDTG-6030G	5 Double brûleurs w/ contrôle individuel	Gaz naturel	5.0" W.C.	150,000
		Propane*	10" W.C.	

*Propane (gaz de pétrole liquide--GPL)

FONCTIONNALITÉS ET COMMANDES

FRANÇAIS



M123 2M-307735 Owners Manual for HD TG-Series Heavy-Duty Gas Griddles

Fig. 5 FONCTIONNALITÉS ET COMMANDES DU GRILL PROFESSIONNEL À GAZ

PRÉCAUTIONS & RENSEIGNEMENTS D'ORDRE GÉNÉRAL

Cet appareil est prévu exclusivement à l'usage des établissements commerciaux.

Cet appareil est destiné à la cuisson d'aliments pour la consommation humaine. Aucun autre usage n'est recommandé ni autorisé par le fabricant ou ses agents.

Cet appareil doit être installé par un technicien qualifié ou et certifié ou agréé pour l'installation des équipements fonctionnant au gaz. Un technicien qualifié et agréé doit assurer la mise en service et le réglage initiaux de l'appareil.

Les utilisateurs de l'appareil doivent être familiarisés avec l'utilisation de l'appareil, ses limites et ses restrictions associées. Le mode d'emploi doit être lu et compris par toutes les personnes installant ou utilisant cet appareil.

La propreté de cet appareil est essentielle à de bonnes conditions sanitaires. Lire et suivre toutes les instructions relatives au nettoyage et aux programmes visant à assurer l'innocuité des produits alimentaires.

NE PAS submerger l'appareil ou les brûleurs dans l'eau. Cet appareil n'est pas approuvé pour supporter les jets d'eau. NE PAS orienter de jet d'eau ou de vapeur directement sur cet appareil ou de ses commandes. NE PAS éclabousser ni verser d'eau sur, dans ou par dessus les commandes. NE PAS laver le comptoir entourant l'appareil avec un jet d'eau. Les brûleurs mouillés doivent être complètement séchés avant usage.

Les surfaces de cuisson deviennent très chaudes pendant l'usage. Leur contact provoquera des brûlures graves.

Cet appareil doit être utilisé avec ses pieds de 10 cm (4 po.) de haut correctement installés.

Ne pas utiliser cet appareil en présence d'une odeur de gaz. Fermer tous les robinets à gaz et se rendre dans un lieu éloigné pour appeler un technicien d'entretien agréé par Wells.

La partie technique du présent manuel, y compris tous les schémas éclatés illustrant les pièces et/ou les procédures de réglage, est destinée exclusivement à l'usage de techniciens qualifiés.

Toute procédure exigeant l'emploi d'outils doit être accomplie par un technicien qualifié.

Le présent manuel est considéré être une pièce permanente de l'appareil. Ce manuel et toutes les instructions, schémas, illustrations de pièces éclatées, notices et étiquettes fournis doivent demeurer avec l'appareil si ce dernier est revendu ou déménagé dans un autre local.



AVERTISSEMENT! DANGER D'INCENDIE

Toutes les opérations d'entretien et de réparation des composants servant à l'alimentation et à la combustion du gaz dans cet appareil doivent être effectuées par un technicien qualifié et agréé pour la maintenance des appareils à gaz. L'entretien incorrect des appareils à gaz peut entraîner des incendies et des explosions.



ATTENTION: SURFACE CHAUDE

Les surfaces exposées peuvent être chaudes au toucher et peuvent occasionner des brûlures.

FRANÇAIS

INFORMATIONS CONCERNANT LES AGENCES

Cet appareil n'est conforme à la Norme 4 de la fondation nationale de normalisation sanitaire des États-Unis (*National Sanitation Foundation-NSF*) que s'il est installé conformément aux *Instructions relatives à l'installation* fournies avec l'appareil et si ce dernier est entretenu selon les instructions du présent manuel.

Cet appareil est conforme aux spécifications ANSI Z.83.11 pour les appareils à gaz utilisés dans les établissements préparant des aliments.

Cet appareil est d'une conception certifiée pour le fonctionnement au gaz par l'Association canadienne de normalisation (ACN/CSA).



Norme 4



L'INSTALLATION

REMARQUE : NE PAS jeter le carton ni les autres matériaux d'emballage jusqu'à ce que l'appareil ait été inspecté pour la détection de vices cachés et ait subi des tests de fonctionnement satisfaisants. Consulter la *PROCÉDURE DE RÉCLAMATION EN CAS DE DOMMAGES DUS AU TRANSPORT* imprimée sur la face interne de la première page de couverture du présent manuel.



DANGER: Danger pour la santé

Cet appareil doit être situé dans un local correctement aéré. Le défaut d'assurance et de maintien d'une aération convenable avec mise à l'évent des gaz de combustion peut entraîner des dommages corporels graves ou même la mort.



AVERTISSEMENT : Danger d'incendie Ne pas stocker

d'essence ou d'autres matériaux combustibles ou inflammables à proximité de cet appareil. Toute flamme nue peut provoquer l'inflammation de ces matériaux. La zone où le grill est installé doit être dépourvue de tout matériau combustible ou inflammable. Ceux-ci comprennent, notamment, les serpillères, les lavettes ou les chiffons, la graisse, le papier d'emballage et les cordons d'alimentation électriques.

NOTICE : La garantie du fabricant concernant cet appareil entre en vigueur exclusivement si l'appareil est installé conformément aux présentes instructions, aux dispositions de la réglementation et des codes locaux, ou en l'absence de codes, de la norme ANSI Z223.1 (édition en vigueur) du code national relatif au gaz combustible (*National Fuel Gas Code*). Le fabricant de ce grill décline toute responsabilité en cas de dommages corporels ou matériels résultant du défaut d'application des dispositions de la présente notice.

DÉBALLAGE & INSPECTION

Sortir l'appareil du carton avec précaution. Enlever tous les films de protection en plastique, les matériaux d'emballage et les accessoires de l'appareil avant d'entamer toute procédure d'installation et de connexion.

Lire attentivement toutes les instructions du présent manuel et de la *Notice—Instructions relatives à l'installation*, incluse avec l'appareil, avant de commencer l'installation.

Lire et assimiler la signification de toutes les étiquettes et schémas fixés sur l'appareil.

Vérifier que tous les composants et accessoires sont présents avant de jeter les matériaux d'emballage. Ranger tous les accessoires dans un lieu convenable pour les utiliser plus tard.

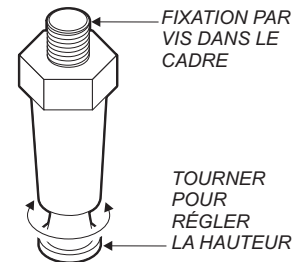
COMPOSANTS

- Double brûleur (-2430G, 2 pièce; -3630G, 3 pièce; -4830H, 4 pièce)
- Pieds réglables (jeu de 4)
- Plateau pour la graisse (-2430G, 1 pièce; -3630G, 1 pièce; -4830H, 2 pièce)

INSTALLATION

Installer l'appareil uniquement sur une surface solide, horizontale et non combustible. Vérifier les conditions imposées par les codes locaux. Les surfaces en ciment, en carreaux de céramique ou de marbre, ou en métal sont recommandées. Le métal ou les carreaux de céramique posés sur des matériaux combustibles peuvent être incompatibles avec les dispositions du code imposant des surfaces non combustibles.

Installer les pieds fournis avec l'appareil, un pied à chaque coin de l'appareil, dans les trous préparés. Vérifier que l'unité est stable et repose bien **SUR LES QUATRE PIEDS**. Les pieds étant réglables, les ajuster selon les besoins pour que l'appareil soit horizontal. Les quatre pieds doivent être ajustés pour faire solidement contact avec le comptoir afin d'éviter tout basculement.



Ménager des dégagements adéquats dans l'armoire pour les orifices d'aération. Consulter la *Notice—Instructions relatives à l'installation*, pour obtenir les dimensions de dégagement obligatoires. Conserver les distances de dégagement nécessaires entre l'appareil et les surfaces combustibles adjacentes.

L'appareil doit être installé dans un lieu où l'air est suffisamment renouvelé pour assurer une combustion correcte et de telle manière que le courant de l'air de combustion et d'aération ne soit pas obstrué .

Lorsqu'on utilise l'appareil avec un ventilateur d'extraction, il faut prendre des précautions spéciales pour éviter toute interférence avec le fonctionnement de l'appareil, tels que courants d'air et privation d'air .

CONFORMITÉ AU CODE RELATIF AUX APPAREILS À GAZ

L'installation des tuyauteries du gaz entre le côté sortie du compteur à gaz ou du régulateur de l'alimentation publique et l'appareil doit être effectuée par un technicien qualifié et certifié ou agréé pour l'installation des appareils à gaz.

Un technicien qualifié et agréé doit assurer la mise en service et le réglage initiaux de l'appareil.

L'installation de cet appareil à gaz doit être conforme aux codes locaux, ou en l'absence de codes, à l'édition en vigueur de la norme ANSI Z223.1 du Code national applicable au gaz combustible (*National Fuel Gas Code—NFGC*).

Pour l'usage dans l'Etat de Massachusetts, cet appareil doit être installé en conformité avec le **Massachusetts Fuel Gas and Plumbing Code CMR 248**.

L'installation de cet appareil à gaz doit être conforme aux parties applicables de la norme NFPA 96 relatives à l'aération. L'édition courante de la norme NFPA 96 précise les conditions obligatoires à remplir pour l'extraction des gaz et des produits de combustion.

L'INSTALLATEUR EST RESPONSABLE D'ASSURER QUE L'INSTALLATION DE CE GRILL À GAZ SOIT CONFORME À TOUS LES CODES ET À TOUTE RÉGLEMENTATION APPLICABLES.

La mise à l'évent de cet appareil ne doit pas être obstruée, et cette mise à l'évent ne doit en aucun cas interférer avec le courant de l'air de combustion exigé pour le fonctionnement correct des brûleurs à gaz.

En outre :

1. La ligne d'alimentation de gaz utilisée pour raccorder le grill au système d'alimentation de gaz doit être un tuyau en acier non revêtu (fer noir) ou autre matériau approuvé par la réglementation locale applicable aux tuyauteries de gaz.
2. La tuyauterie du gaz doit avoir un diamètre intérieur égal ou supérieur à ¾ po. (1,9 cm).
3. Utiliser un mastic pour l'étanchéité des raccords de tuyauterie, spécial pour les tuyauteries à gaz, sur tous les raccords de tuyauterie. Appliquer le mastic en petite quantité uniquement sur les filetages mâles.
Le mastic doit être résistant à l'action du gaz GPL.
4. Vérifier que toute la tuyauterie d'alimentation de gaz est propre et épourvue de toute obstruction, saleté, débris et particules de mastic d'étanchéité avant l'installation .
5. Tous les raccords de tuyauterie doivent être inspectés pour la détection de fuites éventuelles avant l'allumage. Détecter les fuites avec une solution d'eau savonneuse. **NE JAMAIS DÉTECTER DE FUITES AVEC UNE FLAMME NUE .**



**DANGER :
DANGER
D'INCENDIE ET
D'EXPLOSION**

NE JAMAIS utiliser de flamme nue pour détecter des fuites de gaz. Un incendie et une explosion pourrait se produire.



**AVERTISSEMENT :
DANGER DE DOM-
MAGE CORPOREL**

Les procédures d'installation doivent être accomplies par un technicien qualifié ayant pleine connaissance des dispositions des codes en vigueur relatives aux appareils à gaz. À défaut, des dommages corporels et matériels peuvent survenir.

IMPORTANT : Tous les raccords de tuyauterie doivent être inspectés pour la détection de fuites éventuelles avant l'allumage. Détecter les fuites avec une solution d'eau savonneuse.

IMPORTANT : L'information relative à la construction et l'installation des hottes d'aération doit être obtenue dans l'édition en vigueur de la norme NFPA 96 *Standard for the Installation of Equipment for the Removal of Smoke and Grease Laden vapors from Commercial Cooking Equipment.* (Norme relative à l'installation d'équipements destinés à l'extraction des fumées et des vapeurs chargées de graisse générées par les appareils de cuisson commerciaux.) Des exemplaires de cette norme sont disponibles auprès de l'Association nationale pour la protection contre les incendies (*National Fire Protection Association—NFPA*)
NFPA
1 Batterymarch Park
P.O. Box 9101
Quincy, MA 02269-9101

L'INSTALLATION (a continué)



DANGER : DANGER D'INCENDIE ET D'EXPLOSION

NE JAMAIS utiliser de flamme nue pour détecter des fuites de gaz. Un incendie et une explosion pourrait se produire.

IMPORTANT :

Tous les raccords de tuyauterie doivent être inspectés pour la détection de fuites éventuelles avant l'allumage. Détecter les fuites avec une solution d'eau savonneuse .



AVERTISSEMENT : DANGER D'INCENDIE

Cet appareil à gaz est vendu avec un régulateur de pression. Le défaut d'installation correcte du régulateur de pression crée une situation extrêmement dangereuse. La flèche gravée sur le corps du régulateur doit pointer vers le grill. Le trou d'aération doit pointer vers le HAUT.

IMPORTANT :

Vérifier la nature du gaz combustible. Si le combustible disponible ne correspond pas aux spécifications de la plaque signalétique, échanger l'appareil contre un autre, de type correct.

INSTALLATION DU GRILL À GAZ

Consulter la plaque signalétique. Vérifier la nature et la pression du combustible, qui doivent correspondre aux spécifications indiquées sur la plaque signalétique. Le raccordement de l'appareil à une alimentation en combustible incorrecte ou sous pression incorrecte compromettrait la sécurité et/ou les performances de l'appareil.

VÉRIFIER QUE LES DISTANCES DE DÉGAGEMENT OBLIGATOIRES PAR RAPPORT AUX SURFACES COMBUSTIBLES SONT RESPECTÉES.

L'appareil doit être mis en place dans sa position de fonctionnement définitive et mis à niveau horizontalement (l'arrière par rapport au devant, un côté par rapport à l'autre) à l'aide d'un niveau à bulle, avant de commencer l'installation de la tuyauterie du gaz.

Vérifier de nouveau le niveau horizontal de l'unité après l'installation de la tuyauterie du gaz.

Chaque appareil à gaz est vendu avec un régulateur de pression séparé, qui doit être installé sur le tuyau du collecteur dépassant à l'arrière de l'appareil. Vérifier que le régulateur est installé de manière à ce que la flèche indiquant le débit, gravée sur le corps du régulateur, pointe vers le grill. Le défaut d'installation correcte du régulateur de pression crée une situation extrêmement dangereuse.

Un purgeur de condensat (collecteur de condensat) comportant un Té, un mamelon de 4 po. (10 cm) pointant vers le bas et un capuchon doit être installé en amont du régulateur de pression de gaz .

Un robinet d'arrêt de gaz manuel peut être exigé par les codes locaux et son installation est fortement recommandée dans tous les cas. Le robinet d'arrêt doit être installé entre la tuyauterie d'alimentation de gaz et le régulateur de pression .

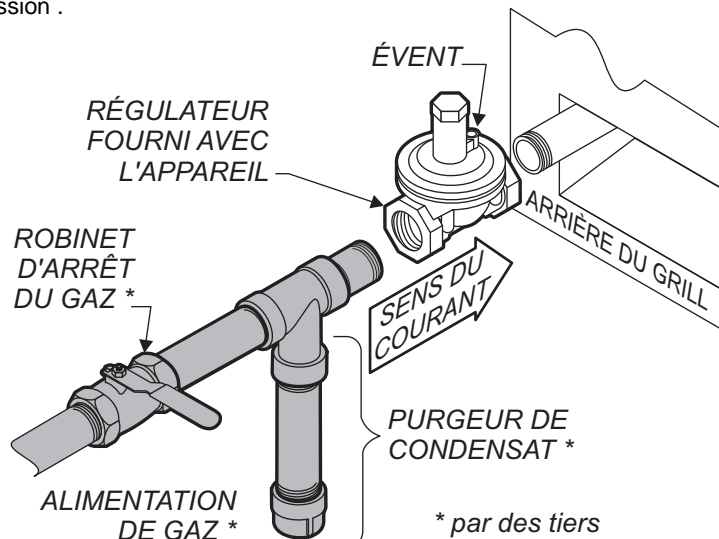


Fig. 6 Tuyauterie d'alimentation du gaz

L'installateur de la tuyauterie du gaz est responsable d'identifier les dispositions obligatoires du code relatives aux robinets d'arrêt de gaz .

Les robinets d'arrêt, le purgeur de condensat et toute la tuyauterie associée doivent être fournis par l'installateur de la tuyauterie du gaz.

RÉGLAGE DE PRESSION DU GAZ :

Le régulateur de pression du gaz est réglé en usine .

RÉGLAGE DE LA VEILLEUSE D'ALLUMAGE :

Enlever tous les boutons de commande des brûleurs puis enlever le panneau avant .

Les réglages de veilleuse sont proches du robinet de commande de chacun des jeux de brûleurs .

À l'aide d'un petit tournevis plat, tourner la vis dans le sens horaire pour diminuer la hauteur de la flamme ou dans le sens inverse au sens horaire pour augmenter la hauteur de la flamme .

Régler la flamme de la veilleuse à 0,64 cm (1/4 po.) de hauteur. Essai de fonctionnement : toutes les sections de brûleur doivent s'allumer sans délai. Dans les lieux à courants d'air, une flamme plus haute peut être nécessaire pour que la veilleuse reste allumée.

Remettre le panneau avant et tous les boutons en place avant de remettre l'unité en service.

RÉGLAGE DE LA FLAMME DE BRÛLEUR :

Enlever tous les boutons de commande des brûleurs puis enlever le panneau avant.

Allumer l'un des brûleurs.

Desserrer la vis de blocage sur le volet.

Tourner le volet pour admettre plus ou moins d'air, le cas échéant. Régler le volet d'aération jusqu'à ce que la flamme soit principalement bleue.

Serrer la vis de blocage quand l'opération est terminée. Remettre le panneau avant et tous les boutons en place avant de remettre l'unité en service .

IMPORTANT:

Les réglages doivent être exécutés exclusivement par un technicien qualifié.

IMPORTANT:

L'appareil à gaz est expédié de l'usine tout équipé pour le gaz naturel et réglé pour fonctionner à une altitude comprise entre le niveau de la mer et 660 mètres (2 000 pieds). Pour convertir l'appareil au gaz de pétrole liquide (LP) ou au propane, ou pour fonctionner à une altitude de plus de 660 mètres (2 000 pieds), veuillez contacter votre distributeur agréé Wells.

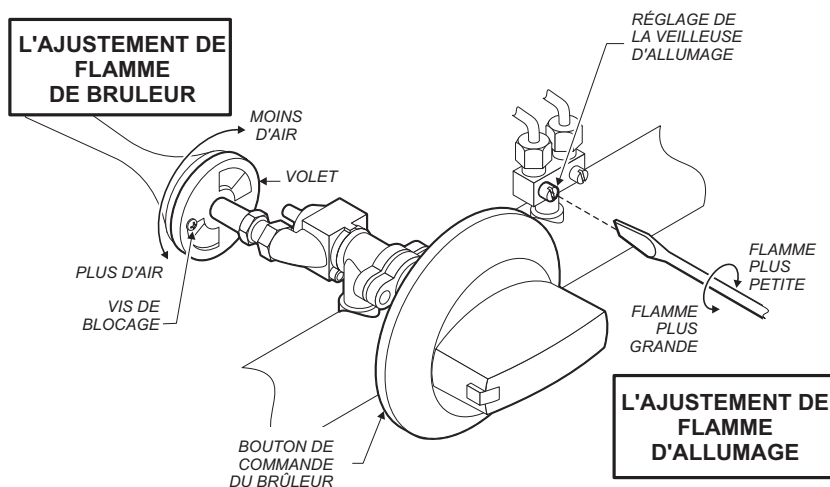


Fig. 7 Réglages

FONCTIONNEMENT



AVERTISSEMENT: DANGER D'INCENDIE

SI VOUS SENTEZ LE GAZ:

- ❑ NE PAS tenter d'allumer l'appareil.
- ❑ NE toucher à AUCUN bouton électrique.
- ❑ NE PAS utiliser le téléphone situé dans le bâtiment.

Si l'on détecte une odeur de gaz, mettre l'unité à l'arrêt en fermant le robinet d'arrêt principal du gaz et contacter la société responsable de l'alimentation en gaz à partir d'un poste téléphonique du voisinage.

Suivre immédiatement et exactement les instructions fournies par la société distributrice du gaz .

COMMENTAIRES D'ORDRE GÉNÉRAL SUR LE FONCTIONNEMENT

Lire attentivement la description du fonctionnement du grill sur la notice de spécifications.

NE PAS utiliser l'appareil s'il a été immergé dans l'eau. Appeler un technicien qualifié pour examiner l'appareil et le réparer ou remplacer tout composant ayant été submergé. Les brûleurs qui ont pu être mouillés doivent être complètement séchés avant usage.

Pour la mise en route initiale, et chaque fois que l'alimentation de gaz a été coupée, il pourra falloir plusieurs minutes pour allumer la veilleuse pendant que l'air est purgé de la tuyauterie et des collecteurs.

Les boutons de commande des brûleurs ne doivent être tournés qu'à la main. Ne jamais utiliser d'outil pour tourner les boutons. Si un bouton ne tourne pas à la main, NE PAS essayer de le forcer ni de le réparer. Pour toute réparation, contacter le distributeur agréé Wells. Les boutons ou robinets forcés ou mal réparés posent un risque d'incendie et/ou d'explosion.

S'assurer que les brûleurs, le brûleur de la veilleuse et le plateau à graisse sont correctement installés avant d'essayer la mise en marche.

ALLUMAGE DE LA VEILLEUSE

Avant d'allumer la veilleuse, sentir l'atmosphère autour de l'appareil pour détecter toute trace de gaz. Ne pas oublier de sentir près du sol parce que le gaz est plus lourd que l'air et s'accumulerait au niveau du sol.

Pour la mise en route initiale, et chaque fois que l'alimentation de gaz a été coupée, il pourra falloir plusieurs minutes pour allumer la flamme de la veilleuse pendant que l'air est purgé de la tuyauterie et des collecteurs.

La flamme de la veilleuse doit être allumée à la main :

Tourner tous les boutons de commande jusqu'à la positions OFF (FERMETURE).

La veilleuse est adjacente à l'un des pieds de brûleur et est accessible à travers l'ouverture du panneau avant .

S'assurer que le robinet d'arrêt du gaz est sur ON (OUVERTURE) et que l'air a eu le temps d'être purgé des lignes de gaz. Essayer d'allumer la flamme de la veilleuse toutes les 15 secondes après avoir ouvert le robinet d'arrêt du gaz .

Allumer la veilleuse avec une longue allumette ou un briquet pour feu de cheminée. NE PAS utiliser de briquet pour cigarette.

INSTRUCTIONS POUR LA MISE À L'ARRÊT

Tourner tous les boutons de brûleur jusqu'à la position OFF (FERMETURE).

Éteindre toutes les veilleuses d'allumage .

Mettre le robinet d'arrêt général sur la position OFF (FERMETURE).

APPRÊT DE LA SURFACE DU GRILL

La surface en acier manufacturé du grill Wells comporte de microscopiques pores. Il est important de remplir ces interstices d'huile pour obtenir une surface de cuisson dure et non adhésive .

- a. Préchauffer le grill jusqu'à 191 °C (375 °F).
- b. Répandre une mince pellicule d'huile d'alimentation sur la totalité de la surface du grill.
- c. Laisser cuire cette pellicule d'huile pendant environ 2 minutes, ou jusqu'à ce que de la fumée apparaisse.
- d. Essuyer la surface du grill avec un chiffon humide jusqu'à ce que l'huile ait disparu.
- e. Pour les grills neufs, recommencer cette opération 2 à 3 fois, jusqu'à ce que la surface du grill soit luisante et propre.

FONCTIONNEMENT DU GRILL

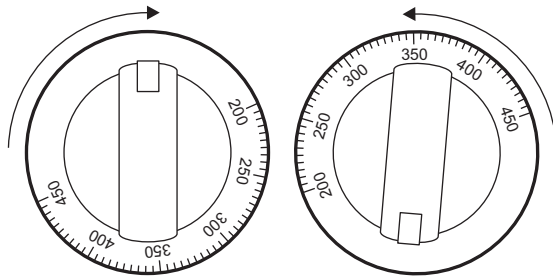
Inspecter l'unité pour vérifier sa propreté avant usage. Nettoyer le cas échéant : voir page 24.

S'assurer que la veilleuse est allumée avant de faire fonctionner le grill. Voir la section *Allumage de la flamme de la veilleuse*, page 22 .

Les boutons de commande des brûleurs ne doivent être tournés qu'à la main. Ne jamais utiliser d'outil pour tourner les boutons.

Le bouton de commande de ce grill à gaz offre une plage continue de réglages entre la position OFF (*FERMETURE*) à ON (*OUVERTURE*).

Allumer la veilleuse en tournant le bouton de commande jusqu'à la position ON (*OUVERTURE*), et ce, jusqu'à ce que l'allumage soit complet dans toutes les sections de brûleur. Régler le bouton de commande sur la position souhaitée. On peut ajuster le réglage à tout moment .



POSITION DE REPOS RÉGLÉE À 350°F

Fig. 8 Commande de brûleur

RECOMMANDATIONS POUR LA CUISSON :

Économiser l'énergie en tournant le bouton de commande de température jusqu'à la position OFF (*FERMENTURE*) chaque fois que le grill reste inutilisé. Les brûleurs à gaz fournissent instantanément une pleine chaleur, ce qui rend inutile de laisser l'unité allumée lorsqu'on n'a pas besoin de l'utiliser.



AVERTISSEMENT: DANGER D'INCENDIE

NE JAMAIS tenter de forcer ou de réparer un bouton ou robinet de commande bloqué. Pour toute réparation, contacter le distributeur agréé Wells. Les boutons ou robinets forcés ou mal réparés posent un risque d'incendie et/ou d'explosion .



AVERTISSEMENT: DANGER D'INCENDIE ET D'EXPLOSION

Si la veilleuse d'allumage venait à s'éteindre, arrêter le gaz au robinet d'arrêt général. Laisser l'appareil se purger pendant cinq minutes avant d'essayer de rallumer la veilleuse.



ATTENTION : SURFACE CHAUDE

Les surfaces exposées peuvent être chaudes au toucher et peuvent occasionner des brûlures .

INSTRUCTIONS POUR LE NETTOYAGE



AVERTISSEMENT: DANGER D'INCENDIE

Fermer le robinet d'arrêt du gaz avant le nettoyage.



ATTENTION : DANGER DE BRÛLURES

Laisser complètement refroidir l'appareil avant de le nettoyer.

PRÉPARATION

Tourner le robinet de commande jusqu'à un réglage bas avant le nettoyage. Laisser refroidir le grill jusqu'à son réglage le plus bas avant de nettoyer.

FRÉQUENCE

Tous les jours

USTENSILES

Brosse à soies Chiffon ou éponge propre
Détergent doux Eau chaude
Produit nettoyant compatible avec l'acier inoxydable

IMPORTANT :

NE PAS renverser ni verser d'eau sur les boutons de commande.

NE PAS submerger l'armoire du grill dans l'eau. Ceci endommagerait les composants internes. Les dommages occasionnés par l'eau aux composants internes ne sont PAS couverts par la garantie.

NE PAS utiliser de tampons métalliques à récurer pour nettoyer l'armoire ou le plateau à graisse.

Une bonne hygiène est vitale pour la qualité des produits alimentaires finis. Il faut s'assurer de bien nettoyer dans tous les coins et toutes les fissures où la graisse ou autres débris alimentaires ont pu s'accumuler.

NETTOYAGE QUOTIDIEN

1. Verser une petite quantité d'eau sur la surface du grill et la laisser bouillonner.
2. Nettoyer la surface du grill. Utiliser une pierre ponce ou un grattoir de grill pour gratter tous les déchets alimentaires. Nettoyer la surface du grill jusqu'à ce que le métal brille. Essuyer tous les résidus de poudre restants.

IMPORTANT : NE JAMAIS UTILISER DE TAMPONS MÉTALLIQUES À RÉCURER POUR NETTOYER LA SURFACE DU GRILL !

NE PAS utiliser de détergent ni de produit de nettoyage pour four pour nettoyer la surface du grill.

3. Utiliser une brosse à poils doux en faisant des mouvements circulaires pour éliminer toutes les particules alimentaires restantes.
4. Tourner le bouton de commande de température jusqu'à la position *OFF (ARRÊT)*. Laisser refroidir la surface du grill puis essuyer la surface avec un chiffon propre. Sécher complètement la surface du grill.

IMPORTANT : Apprêter la surface de cuisson après chaque nettoyage. Voir page 23.

5. Nettoyer à fond le bac à graisse au moins une fois par jour. À l'aide d'un grattoir, enlever toute la graisse et tous les déchets de nourriture du bac à graisse en les poussant à travers le trou d'évacuation jusqu'au plateau à graisse.
6. Après avoir gratté tous les déchets de cuisson du bac à graisse et les avoir acheminés sur le plateau à graisse, emmener le tiroir à graisse dans l'aire de lavage de la cuisine et disposer de tous les déchets de façon réglementaire
 - a. Nettoyer le tiroir à l'eau chaude et avec un détergent doux.
 - b. Sécher complètement le tiroir et le réinstaller dans le grill.
7. Essuyer l'extérieur de l'armoire du grill avec un chiffon propre et un nettoyant non abrasif. Rincer abondamment à l'eau et frotter avec un chiffon propre. Sécher avec un chiffon propre et doux.

La procédure de nettoyage est terminée.

INSTRUCTIONS POUR LE NETTOYAGE (a continué)

PRÉPARATION

Fermer le robinet d'arrêt (sur la position OFF/FERMETURE).
Laisser refroidir le grill avant de le nettoyer.

FRÉQUENCE

Selon les besoins

USTENSILES

Brosse à soies Chiffon ou éponge propre
Détergent doux Eau chaude
Produit nettoyant compatible avec l'acier inoxydable



AVERTISSEMENT: DANGER D'INCENDIE

Fermer le robinet d'arrêt du gaz avant le nettoyage.

NETTOYAGE DES BRÛLEURS

Si un ou plusieurs trous individuels ne laissent pas s'échapper de flamme ou si la flamme est intermittente ou irrégulière, le brûleur a probablement besoin d'être nettoyé.

Fermer le robinet d'arrêt (sur la position OFF/FERMETURE). Enlever tous les boutons de commande et le panneau avant.

Repérer la position des ensembles de brûleur dans l'armoire. Enlever les brûleurs.

Examiner les ensembles de brûleur. Repérer la position des volets d'aération avant le nettoyage. Nettoyer les débris alimentaires des brûleurs à l'eau chaude, avec du détergent doux et une brosse à soies. Rincer et essuyer avec un chiffon doux et humecté d'eau propre. Essuyer les surfaces extérieures avec un chiffon propre, sec et doux. Laisser sécher les brûleurs à l'air pour que les passages intérieurs soient totalement dépourvus d'eau.

Examiner les brûleurs pour vérifier la bonne position des volets d'aération. Remettre les brûleurs en place avec les trous de sortie des flammes orientés vers le haut. Le venturi/volet d'aération glisse sur la buse du robinet de commande. Les ergots situés à l'arrière des brûleurs s'enclenchent dans des cavités correspondantes situées sur le support de brûleur. Les ergots situés à l'avant des brûleurs s'enclenchent dans les supports avant.

Ouvrir le robinet d'arrêt (sur la position ON/OUVERTURE) et allumer la veilleuse.

Remettre en place le panneau avant et tous les boutons de commande.

Essayer tous les brûleurs pour vérifier leur bon fonctionnement.

La procédure de nettoyage est terminée.

IMPORTANT :

NE PAS renverser ni verser d'eau sur les boutons de commande.

NE PAS submerger l'armoire du grill dans l'eau. Ceci endommagerait les composants internes. Les dommages occasionnés par l'eau aux composants internes ne sont PAS couverts par la garantie.

FRANÇAIS

CONSEILS POUR LE DÉPANNAGE

SYMPTÔMES	CAUSE POSSIBLE	SOLUTION CONSEILLÉE
La veilleuse ne s'allume pas	Alimentation de gaz fermée	Vérifier les robinets d'arrêt principal/de chaque unité.
	Air dans les lignes	Allumer la veilleuse. Essayer d'allumer la veilleuse toutes les 15 secondes.
	Le bouton d'allumage de la veilleuse n'est pas ouvert	Ouvrir/régler le bouton d'allumage de la veilleuse
Les brûleurs ne s'allument pas	Alimentation de gaz fermée	Vérifier les robinets d'arrêt principal/de chaque unité.
	Air dans les lignes	Allumer la veilleuse. Essayer d'allumer la veilleuse toutes les 15 secondes.
	La veilleuse n'est pas allumée	Fermer le robinet d'arrêt du gaz – laisser l'unité se purger à l'évent pendant 5 minutes. Ouvrir le robinet d'arrêt du gaz et allumer la veilleuse.
Un ensemble de brûleur ne s'allume pas	Le bouton de commande est fermé	Ouvrir le bouton de commande (ON/OUVERTURE). Régler les flammes de brûleurs.
	De l'eau dans le brûleur	Enlever le brûleur et le laisser sécher complètement
	Bouton de commande de température, brûleur ou autre composant interne endommagé	Contacteur le distributeur agréé Wells pour effectuer les réparations.
Des parties de brûleur ne s'allument pas ou leur flamme est irrégulière	Brûleur mouillé ou trous d'allumage bouchés	Nettoyer et laisser sécher le brûleur.
Un brûleur ne contrôle pas ou n'éteint pas	Le thermostat endommagé, thermobulb ou le capillaire	Contacteur le distributeur agréé Wells pour effectuer les réparations.
La flamme du brûleur n'est pas assez chaude	Le bouton de commande de température n'est pas réglé	Régler à la température souhaitée.
	Volet ou buse dérégulée	Contacteur un technicien qualifié pour procéder au réglage.
	Bouton de commande de température, brûleur ou autre composant interne endommagé	Contacteur le distributeur agréé Wells pour effectuer les réparations.
REMARQUE : Les ensembles de brûleur ou les robinets de commande ne comportent aucune pièce que l'utilisateur puisse réparer. Dans tous les cas de dommage ou de fonctionnement défectueux, contacter le distributeur agréé Wells pour procéder aux réparations.		

PIÈCES DE RECHANGE ET SERVICE DE RÉPARATIONS

DESCRIPTION

Pieds, réglables en métal (jeu de 4)

PART NO.

WS-20563

IMPORTANT :

Utiliser exclusivement des pièces de rechange et des filtres de remplacement agréés par l'usine.

Wells Manufacturing

265 Hobson Street
Smithville, Tennessee 37166 U.S.A.

phone: (314) 678-6314

fax: (314) 781-2714

(Service des pièces détachées)

Le Service des pièces détachées peut fournir le nom et le numéro de téléphone du distributeur agréé WELLS le plus proche de chez vous.

FRANÇAIS

RENSEIGNEMENTS À FOURNIR AU SERVICE APRÈS-VENTE

Il est recommandé d'avoir les renseignements suivants sous la main lors d'un appel pour service après-vente

RESTAURANT _____ ADRESSE _____

DATE D'INSTALLATION _____ NOM DU TECHNICIEN _____

SOCIÉTÉ PRESTATAIRE DE SERVICES _____

ADRESSE _____ PROVINCE/ÉTAT _____ CODE POSTAL _____

NUMÉRO DE TÉLÉPHONE (____) ____-_____

NUMÉRO DE MODÈLE DE L'ÉQUIPEMENT _____

NUMÉRO DE SÉRIE DE L'ÉQUIPEMENT _____

COMBUSTIBLE (L'UN MARQUER) Gaz naturel Gas de pétrole liquide



Wells Bloomfield proudly supports CFESA
Commercial Food Equipment Service Association

SERVICE TRAINING - QUALITY SERVICE



CUSTOMER SATISFACTION



WELLS MANUFACTURING

265 Hobson Street, Smithville, Tennessee 37166

telephone: 314-678-6314

fax: 314-781-2714

www.wells-mfg.com

PRINTED IN CHINA