

Champion[®]

The Dishwashing Machine Specialists

Project _____
Item No. _____
Quantity _____

STANDARD FEATURES

- Pre-drilled table for pre-rinse sprayer (single-mount base)
- Large 11-1/2" deep sink with overflow drain
- Removable scrap screen holder
- Two lift-out scrap screens
- Lower storage cabinet holds extra dish racks and chemical supplies
- Integral drainboard
- Seamless 3-1/2" backsplash
- Heavy-gauge Type 304 stainless steel
- NSF Listed



1-RDT

Rack Dish Table
For Undercounter Dishwashing Machines



The 1-RDT
is shown with
optional sprayhose

1-RDT RACK DISH TABLE

OPTIONS & ACCESSORIES

- Pre-rinse sprayer (single mount base)
- Garbage disposal unit
- 42" wall-mounted stainless steel overshef

Champion Industries, Inc.
P. O. Box 4149, Winston-Salem, NC 27115
Tel: 336/661-1556 Fax: 336/661-1979
2674 N. Service Road,
Jordan Station, Ontario, Canada L0R 1S0
Tel: 905/562-4195 Fax: 905/562-4618

www.championindustries.com

CH009

(3M) 9/06 Printed in U.S.A.

A City Discount



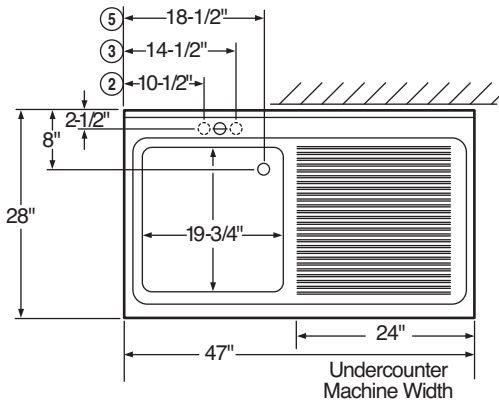
1-RDT

Rack Dish Table
For Undercounter Dishwashing Machines

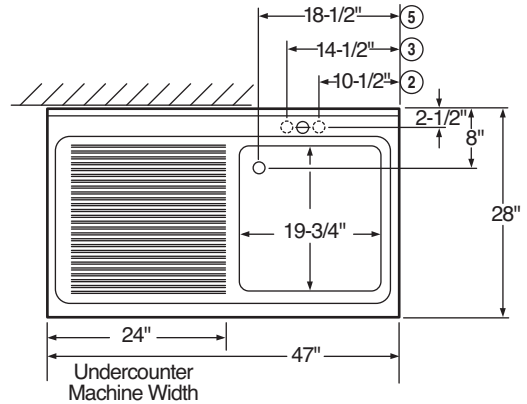
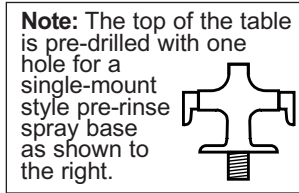
Champion[®]
The Dishwashing Machine Specialists

Shipping weight crated: **100 lbs.**
Shipping weight with shelf: **120 lbs.**

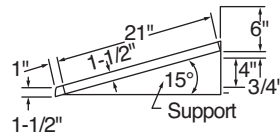
Dimensions shown in inches



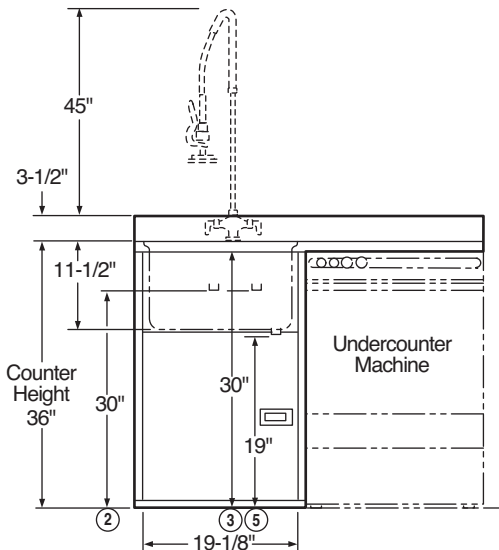
**Plan View
Left Hand Sink**



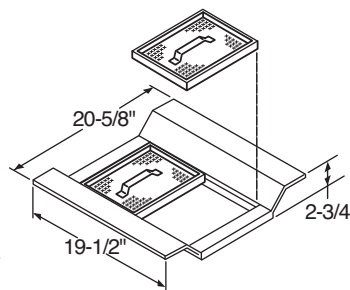
**Plan View
Right Hand Sink**



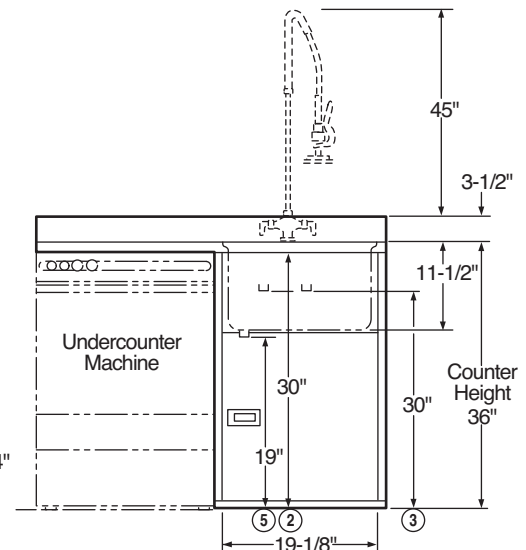
**Wall-Mounted
Overshelf**



**Front View
Left Hand Sink**



**Removable Scrap
Screen Holder**



**Front View
Right Hand Sink**

SPECIFICATIONS

- Heavy-gauge Type 304 stainless steel.
- Sink drain is offset to allow more efficient use of cabinet storage space.
- Cabinet is equipped with leveling feet to compensate for uneven floors.
- Specify right hand or left hand sink.

Utilities

2	Hot Water: 1/2" NPT hot water.
3	Cold Water: 1/2" NPT cold water.
5	Drain: 1-1/2" ID hose connection.

Due to an ongoing value analysis program at Champion, specifications contained in this catalog are subject to change without notice.

Champion Industries, Inc., P. O. Box 4149, Winston-Salem, NC 27115 • 336/661-1556 • Fax: 336/661-1979 • www.championindustries.com