



4" Center Wall Mount Faucet

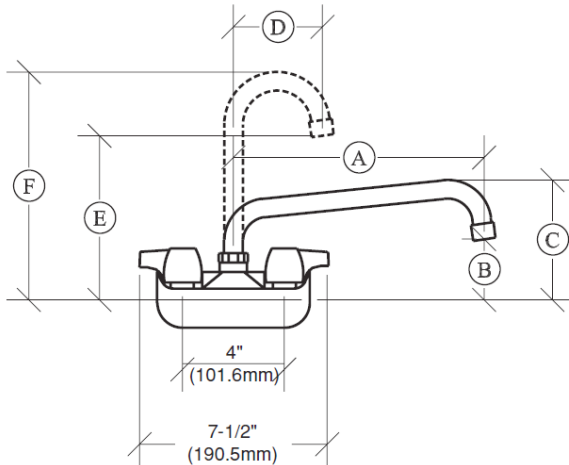
Model: _____

Project: _____

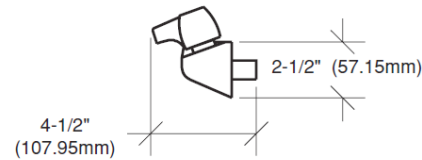
Item #: _____

Quantity: _____

Plumbing



Front View



Side View

Gooseneck Spouts

Model No.	A	B	C
10-406	6"	1 7/8"	4 3/8"
10-410	10"	2 1/8"	4 5/8"

Model No.	D	E	F
10-400	3 1/2"	5 3/8"	8"

Standard Features

- Heavy duty spout with double O-Ring construction and welded shoulder for durability
- High precision machining and polished nickel chromium finish
- Color coded handles
- Optional wrist blade handles available
- Full replacement parts available
- Mounting kit included

Specifications

- 4" on center wall mount with 1/2" NPT male inlets
- Rough in: Two 7/8" round holes on 4" centers
- Flow rate: 2 GPM max
- Shipping weight: 3 lbs.
- Quantity per case: 20



Approved By: _____

Due to our commitment to continued product improvement, specifications are subject to change without notice.

Phone: 800-631-0442

Fax: 973-872-1129



Metal Corporation

100 Haul Road, Wayne, New Jersey 07470

www.krowne.com

sales@krowne.com



4" Center Wall Mount Faucet Low Lead Compliant

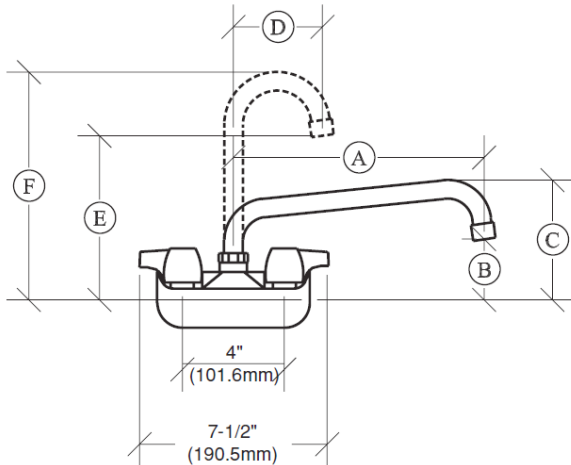


Model: _____

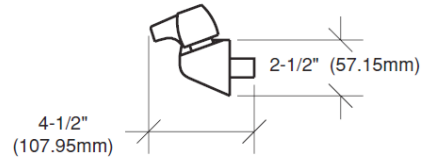
Project: _____

Item #: _____

Quantity: _____



Front View



Side View

Gooseneck Spouts

Model No.	A	B	C
10-406L	6"	1 7/8"	4 3/8"
10-410L	10"	2 1/8"	4 5/8"

Model No.	D	E	F
10-400L	3 1/2"	5 3/8"	8"

Standard Features

- Heavy duty spout with double O-Ring construction and welded shoulder for durability
- High precision machining and polished nickel chromium finish
- Color coded handles
- Optional wrist blade handles available
- Full replacement parts available
- Mounting kit included

Specifications

- Low Lead Compliant to meet California AB-1953 and Vermont S152 standards
- 4" on center wall mount with 1/2" NPT male inlets
- Rough in: Two 7/8" round holes on 4" centers
- Flow rate: 2 GPM max
- Shipping weight: 3 lbs.
- Quantity per case: 20



Approved By: _____

Due to our commitment to continued product improvement, specifications are subject to change without notice.



Metal Corporation

100 Haul Road, Wayne, New Jersey 07470

www.krowne.com

sales@krowne.com

Phone: 800-631-0442

Fax: 973-872-1129

Plumbing