



Exacting Standards, Just Like yours, since 1948

Project _____

Item Number _____

Quantity _____

1000M

Premium Series Slicer

Univex Corporation



1000M Premium Series Manual Slicer

☐ 1000M: 1/2HP Premium series slicer



Certified by NSF International to Meet and Exceed the NSF/ANSI 2010 standards

13" Precision slicing German hollow ground blade
Ultra safe zero blade edge exposure while cleaning
Powerful 1/2 hp motor standard
Unique smooth curve transitions to redirect liquids away from controls and operator

Features:

- Supermarket quality slicer
- Unique drip tray fence redirects liquids away from controls and operator towards distinctive concaved base casting for easy cleaning
- 13" Precision slicing German hollow ground blade
- Ergonomic comfort design operation
- Ultra safe zero blade edge exposure while cleaning
- Powerful 1/2 hp motor standard
- Adjustable slice thickness from 0 to 7/8"
- Capable of slicing high volume amounts of cheese
- Hygienic remote sharpener
- Quick and simple disassembly of carriage and feed grip for easy and thorough cleaning
- Sanitary polished & anodized aluminum construction
- Stationary knife guard and carriage knobs can't be lost or misplaced

- Built-in lift lever for under slicer cleaning
- Heavy duty 3-1/2 lb gravity feed grip
- Permanently mounted protective edge guard
- Carriage tilts out to simplify cleaning

Optional Accessories:

- Stainless Steel Blade
- Serrated Blade
- Heavy Duty Clear Plastic Cover
- Stainless Steel Vegetable Chute
- Sturdy Stainless Steel Stand
- Security Enforced Prison Package

Warranty:

- 1 year, on-site parts and labor

Warranty Details

The 1000M carries a 1 year, on-site parts and labor warranty against any flaws in materials and workmanship. This period begins on the date of the purchase and, provided the unit is used in accordance with our instructions, is in full effect for 1 year from that date. Any work performed under this warranty must be performed between the hours of 8am and 5pm Monday through Friday. Univex will not pay for overtime charges for work performed other than during normal business hours. Damage incurred in transit or from installation error, accident, alteration or misuse is not covered. Univex shall not be liable for any consequential compensatory, incidental, or special damages. Contact the Univex service department for any warranty claims.



Univex Corporation
www.Univexcorp.com

3 Old Rockingham Rd
Salem, NH 03079
United States of America

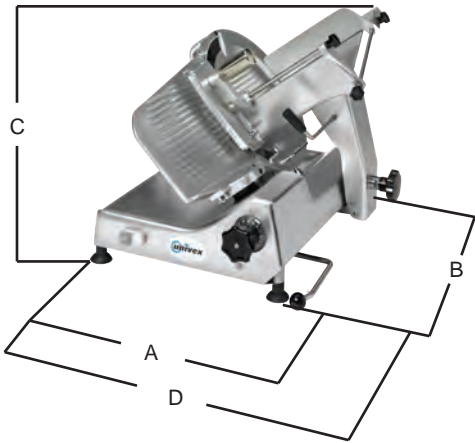
Telephone (800) 258-6358
Intl Tel. (603) 893-6191
Fax (800) 356-5614
Intl Fax (603) 893-1249



Exacting Standards, Just Like yours, since 1948

1000M Premium Slicer

1000M



- A:** Width: 24" (60.96cm)
- B:** Depth: 32" (81.28cm)
- C:** Height: 20.5" (51.3cm)
- D:** Width w/ Carriage Tilted: 31" (78.74cm)

Auto or Manual	Motor	Volts	Hz	Amps	Drive Type	Blade RPM	Cheese slicing	Blade Diameter	Max Slice	Product Cutting Capacity		
										Rec (Rectangle)	S (Square)	R (Round)
Manual	1680 RPM 1/2 HP (.37KW)	115V 220V	60 50-60	4amp 2.5amp	Belt Driven	337	High Volume	13" (33cm)	.875" (22.2mm)	10.25" x 6" (26cm x 15.2cm)	6" x 6" (15.2cm x 15.2cm)	8" (20.3cm)

Carriage stroke: 12" (30.48cm)

Controls: Manual slice thickness knob, push button on/off, removable blade sharpener.

NSF International certified ANSI/ NSF 8

This slicer is certified by NSF International to meet and exceed the NSF 8 standard.

Here is a list of highlighted features that are standard on our entire ANSI/ NSF8 certified slicer line:

- Improved liquid and food particle diversion from all control surfaces
- Improved seals and gaskets for longer life and greater sanitary standards
- Clear and easy to follow cleaning and sanitizing instructions

Shipping Information:

Freight Class: 85
 Net Weight: 95.2lbs (43.2kg)
 Shipping Weight: 105.1lbs (47.7kg)

Shipping Box Dimensions:

Height: 29.1" (740mm)
 Width: 25.4" (645mm)
 Length: 29.5" (750mm)



Univex Corporation
www.Univexcorp.com

3 Old Rockingham Rd
 Salem, NH 03079
 United States of America

Telephone (800) 258-6358
 Intl Tel. (603) 8936191
 Fax (800) 356-5614
 Intl Fax (603) 8931249