



8" Center Wall Mount Faucet

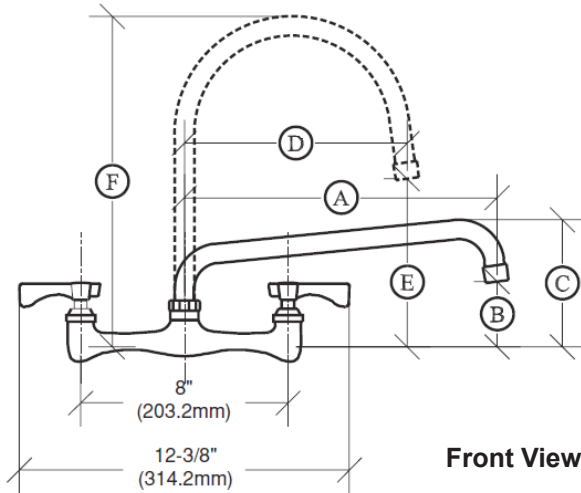
Plumbing

Model: _____

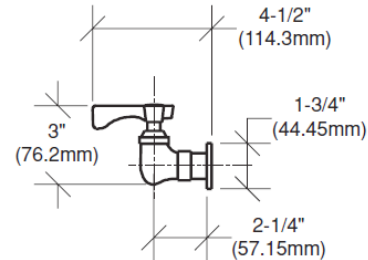
Project: _____

Item #: _____

Quantity: _____



Front View



Side View

Gooseneck Spouts

Model No.	A	B	C
12-806	6"	1 7/8"	4 3/8"
12-808	8"	1 7/8"	4 3/8"
12-810	10"	2 1/8"	4 5/8"
12-812	12"	2 5/8"	5 1/8"
12-814	14"	3"	5 1/2"
12-816	16"	4"	6 1/2"
12-818	*18"	5"	7 1/2"
12-824	*24"	5"	7 1/2"

Model No.	D	E	F
12-801	6"	5 1/2"	9 1/2"
12-802	8 1/2"	7"	12 3/8"

*Double jointed spouts

Standard Features

- Mounting flanges with eccentric fittings for quick installations
- Heavy duty spout with double O-Ring construction and welded shoulder for durability
- High precision machining and polished nickel chromium finish
- Color coded handles
- Optional wrist blade handles available
- Full replacement parts available

Specifications

- 8" on center wall mount with 1/2" NPT female inlets
- Rough in: Two 7/8" round holes on 8" centers
- Flow rate: 2 GPM max
- Shipping weight: 4 lbs.
- Quantity per case: 12



Approved By: _____

Due to our commitment to continued product improvement, specifications are subject to change without notice.



Metal Corporation

100 Haul Road, Wayne, New Jersey 07470

www.krowne.com

sales@krowne.com

Phone: 800-631-0442

Fax: 973-872-1129



8" Center Wall Mount Faucet Low Lead Compliant



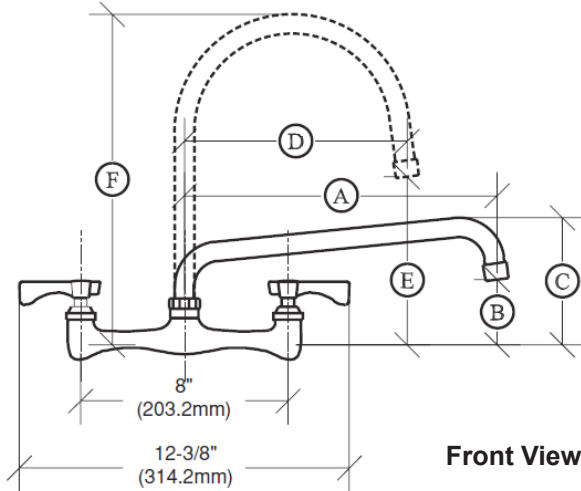
Model: _____

Project: _____

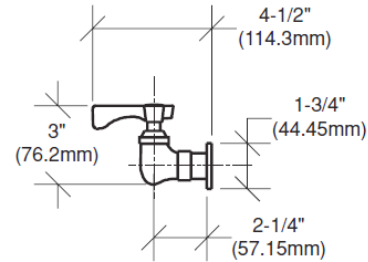
Item #: _____

Quantity: _____

Plumbing



Front View



Side View

Gooseneck Spouts

Model No.	A	B	C
12-806L	6"	1 7/8"	4 3/8"
12-808L	8"	1 7/8"	4 3/8"
12-810L	10"	2 1/8"	4 5/8"
12-812L	12"	2 5/8"	5 1/8"
12-814L	14"	3"	5 1/2"
12-816L	16"	4"	6 1/2"
12-818L	*18"	5"	7 1/2"
12-824L	*24"	5"	7 1/2"

Model No.	D	E	F
12-801L	6"	5 1/2"	9 1/2"
12-802L	8 1/2"	7"	12 3/8"

*Double jointed spouts

Standard Features

- Mounting flanges with eccentric fittings for quick installations
- Heavy duty spout with double O-Ring construction and welded shoulder for durability
- High precision machining and polished nickel chromium finish
- Color coded handles
- Optional wrist blade handles available
- Full replacement parts available

Specifications

- Low Lead Compliant to meet California AB-1953 and Vermont S152 standards
- 8" on center wall mount with 1/2" NPT female inlets
- Rough in: Two 7/8" round holes on 8" centers
- Flow rate: 2 GPM max
- Shipping weight: 4 lbs.
- Quantity per case: 12



Approved By: _____

Due to our commitment to continued product improvement, specifications are subject to change without notice.



Metal Corporation

100 Haul Road, Wayne, New Jersey 07470

www.krowne.com

sales@krowne.com

Phone: 800-631-0442

Fax: 973-872-1129