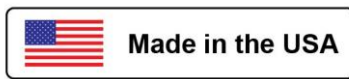




JOB:
ITEM:
QTY:



CAN RACK – FULL SIZE

APPLICATION:

Our units come with heavy-duty aluminum constructed with the most welds in the industry, insuring years of strength and durability.

MATERIAL:

Uprights are constructed out of 1 1/4"x1 1/2"x.070" wall tubing. Can guides are constructed out of 1 1/4"x2 1/4"x.100" wall T-Bar. Stationary units come equipped with NSF Certified adjustable feet.

MOBILE UNITS:

The "CK" units come equipped with four 6" platform type casters, two swivel with brake and two rigid. Base is constructed out of 1 1/2"x1 1/2" x.070" wall tubing.

GUARANTEE:

These racks carry a **Lifetime Guarantee** against rust and corrosion and also carry a **Five-Year Guarantee** against workmanship and material defects.

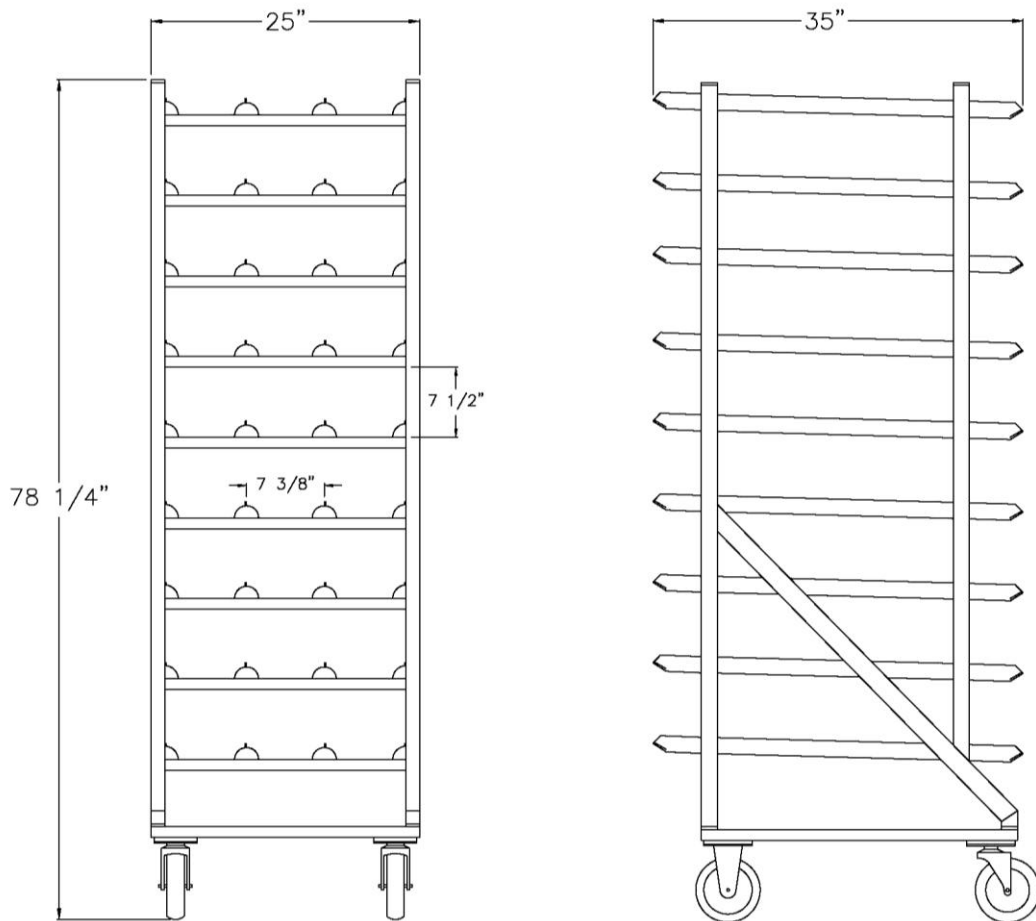


Model #1250CK



Phone: 800-255-0104
Fax: 877-877-7687
www.newageindustrial.com
sales@newageindustrial.com

New Age Industrial reserves the right to modify or make changes at any time without notice to materials and specifications.



Model #1250CK

| Model No. | Size-W | Size-H | Size-D | Can Cap. #10 | Can Cap. #5 | Can Cap. #2 1/2 | Can Cap. #303 | Casters |
|-----------|---------|---------|--------|--------------|-------------|-----------------|---------------|---------|
| 1250 | 25" | 71" | 35" | 162 | 216 | ** | ** | No |
| 1250CK | 25" | 78 1/4" | 35" | 162 | 216 | ** | ** | Yes |
| 1251 | 23" | 66" | 35" | ** | ** | 352 | 484 | No |
| 1254 | 25" | 73" | 35" | ** | 288 | ** | ** | No |
| 1256 | 25 1/2" | 71" | 47" | 216 | 297 | ** | ** | No |
| 1256CK | 25 1/2" | 77 1/4" | 47" | 216 | 297 | ** | ** | Yes |



Phone: 800-255-0104
 Fax: 877-877-7687
www.newageindustrial.com
sales@newageindustrial.com

New Age Industrial reserves the right to modify or make changes at any time without notice to materials and specifications.