

Item No.:	_____	Qty.	_____
Model No.:	_____		
Project No.:	_____		



Specifications

14" Standard Series Sink, with three compartments, left drainboard, 9" backsplash, 16 gauge, 300 series stainless steel top and bowl, galvanized legs & adjustable feet, raised 1-1/2" rolled edge, includes 3-1/2" basket strainer, NSF approved

Features

- 16 Ga. stainless steel
- Welded construction for consistent metal gauge thickness throughout
- 14" (355.6 mm) deep tub with 3/4" (19.1 mm) covered radius tub corners
- Drainboard is die stamped for positive drainage
- 9" (228.6 mm) backsplash with tile ledge for easy installation
- Raised 1-1/2" (38.1 mm) diameter rolled edge
- 3-1/2" (88.9 mm) drain with basket strainers included
- 1-5/8" (41.3 mm) galvanized legs with 1" (25.4 mm) adjustable plastic feet
- 2" (50.8 mm) divider between each tub

Flyer Product

In keeping with our policy of continuing product improvement, Elkay SSP reserves the right to change product specifications without notice.

14" Standard Series Sinks

14" Deep Standard Series Three Compartment Stainless Steel Sinks

- 14-3C16X20-L-18X**
- 14-3C18X24-L-18X**
- 14-3C18X24-L-24X**
- 14-3C24X24-L-24X**

Options

- Faucets
- Tub Accessories
- Undershelves
- Rotary Drain Options
- H-Frame Stainless Steel Legs
- Stainless Steel Feet Options (bullet & flange styles)

Materials

- Sink & Bowl: 16 Ga. 300 series stainless steel
- Top: Drainboard and backsplash are 16 gauge 300 series stainless steel.
- Legs: All sinks furnished with 1-5/8" (41.3 mm) diameter heavy gauge galvanized tubing with plated galvanized leg gussets and high impact corrosion resistant fully adjustable 1" (25.4 mm) feet.

Mechanical

- 1-1/8" (28.6mm) faucet holes on 8" (203.2mm) centers
- 3-1/2" (88.9mm) waste drain opening



AUTOQUOTES



This specification describes an Elkay SSP product with design, quality and functional benefits to the user. When making a comparison of other producers' offerings, be certain these features are not overlooked.

Elkay SSP
421 N. Freya St.
Spokane, WA 99205
Phone: 800-726-0553 Fax: 509-535-1493

Website: www.sspinc.net
Email: sspsales@elkay.com
©2011 SSP INC.

SNK-143CLX26MAY2011

Page 1 of 2



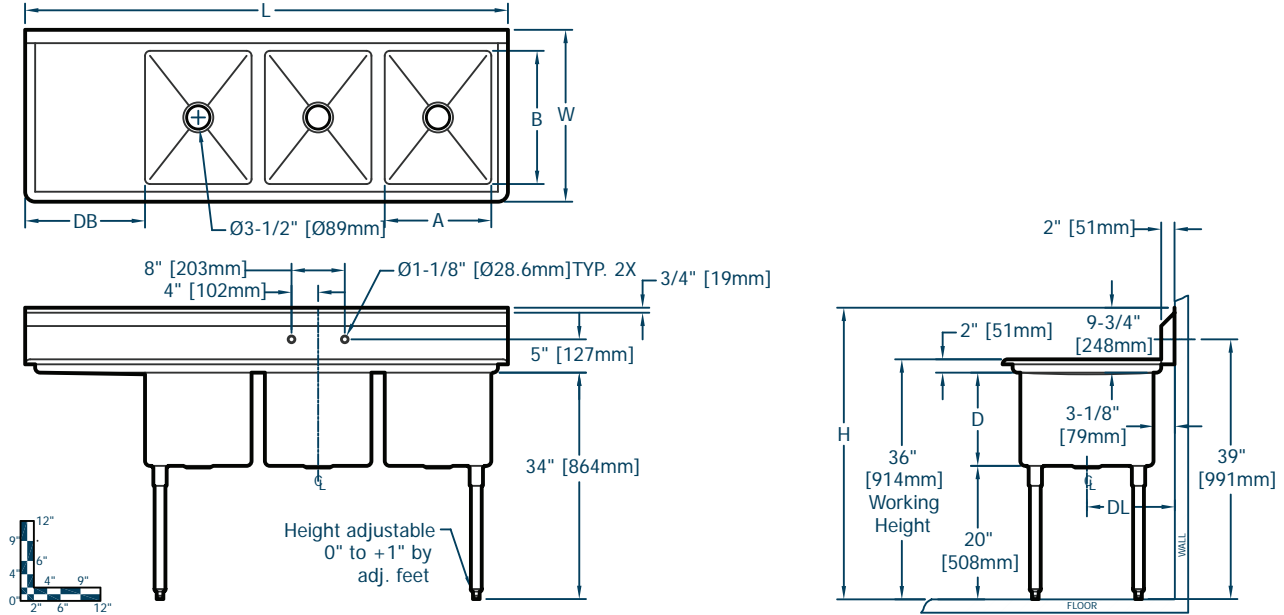
Item No.: _____ Qty. _____

Model No.: _____

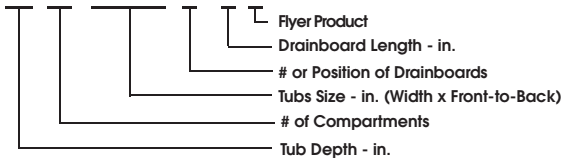
Project No.: _____

14" Standard Series Sinks

14" Deep Standard Series Three Compartment Stainless Steel Sinks



14" Standard Series Sinks																			
Model Number	Bowl Dimensions						Overall Size						Drainboard		Drain		Weight		
	Width		Front-to-Back		Depth		Length		Width		Height		Location	Size		Location		lbs.	kg
	A	mm	B	mm	D	mm	L	mm	W	mm	H	mm		in.	mm	DL	mm		
14 3C 16 X 20 L 18 X	16	406	20	508	14	356	72.5	1842	25.8	656	43.8	1111	Left	18	457	13	330	284	129
14 3C 18 X 24 L 18 X	18	457	24	610	14	356	78.5	1994	29.8	757	43.8	1111	Left	18	457	15	381	326	148
14 3C 18 X 24 L 24 X	18	457	24	610	14	356	84.5	2146	29.8	757	43.8	1111	Left	24	610	15	381	334	151
14 3C 24 X 24 L 24 X	24	610	24	610	14	356	102.5	2604	29.8	757	43.8	1111	Left	24	610	15	381	403	183



Elkay SSP
 421 N. Freya St.
 Spokane, WA 99205
 Phone: 800-726-0553 Fax: 509-535-1493

Website: www.sspinc.net
 Email: sspsales@elkay.com
 ©2011 SSP INC.