



ROYAL SERIES PLUMBING

4" CENTER RAISED DECK MOUNT FAUCETS

MODEL: _____ PROJECT: _____ ITEM #: _____ QTY: _____

PRODUCT IMAGE



15-412 SHOWN

**ALSO AVAILABLE IN LOW LEAD BY
ADDING "L" TO MODEL NUMBER**

STANDARD FEATURES

- 1/4 turn high performance ceramic cartridge valve with built-in back flow preventers
- Heavy-Duty flanges with eccentric fittings for quick installations
- Heavy-Duty spout with double O-Ring construction and welded shoulder for durability
- High precision machining and polished nickel chromium finish
- Color-coded handles
- Optional wrist blade handles available
- Full replacement parts available
- 1 Year Warranty
- **Low Lead Compliance**
"L" Models meet California AB-1953 and Vermont S152 standards
(Faucet models already listed with the "L" suffix (i.e. 12-806L) are only available in Low Lead Compliant model)

SPECIFICATIONS

- 4" on center wall mount with 1/2" NPT female inlets
- Rough in: Two 7/8" round holes on 4" centers
- Temperature Range: 40°F to 180°F
- Flow rate: 2 GPM max
- Shipping weight: 5 lbs.



CERTIFICATIONS:

APPROVED BY:

Due to our commitment to continued product improvement, specifications are subject to change without notice.

Printed in the USA

Krowne Metal Corporation

100 Haul Rd. Wayne, NJ 07470 • Toll Free: (800) 631-0442 • Fax: (973) 872-1129
sales@krowne.com • www.krowne.com • www.facebook.com/KrowneMetal • www.twitter.com/KrowneMetal

A City Discount

Rev. 05/2012
No. 15-4XX



ROYAL SERIES PLUMBING

4" CENTER RAISED DECK MOUNT FAUCETS

MODEL: _____ PROJECT: _____ ITEM #: _____ QTY: _____

MODELS

STANDARD SPOUTS

Model Numbers	Ⓐ	Ⓑ	Ⓒ
15-406	6"	4 5/8"	7 1/8"
15-408	8"	4 5/8"	7 1/8"
15-410	10"	4 7/8"	7 3/8"
15-412	12"	5 3/8"	7 7/8"
15-414	14"	5 3/4"	8 1/4"
15-418*	18"	7 3/4"	10 1/4"
15-4XXL	N/A	N/A	N/A

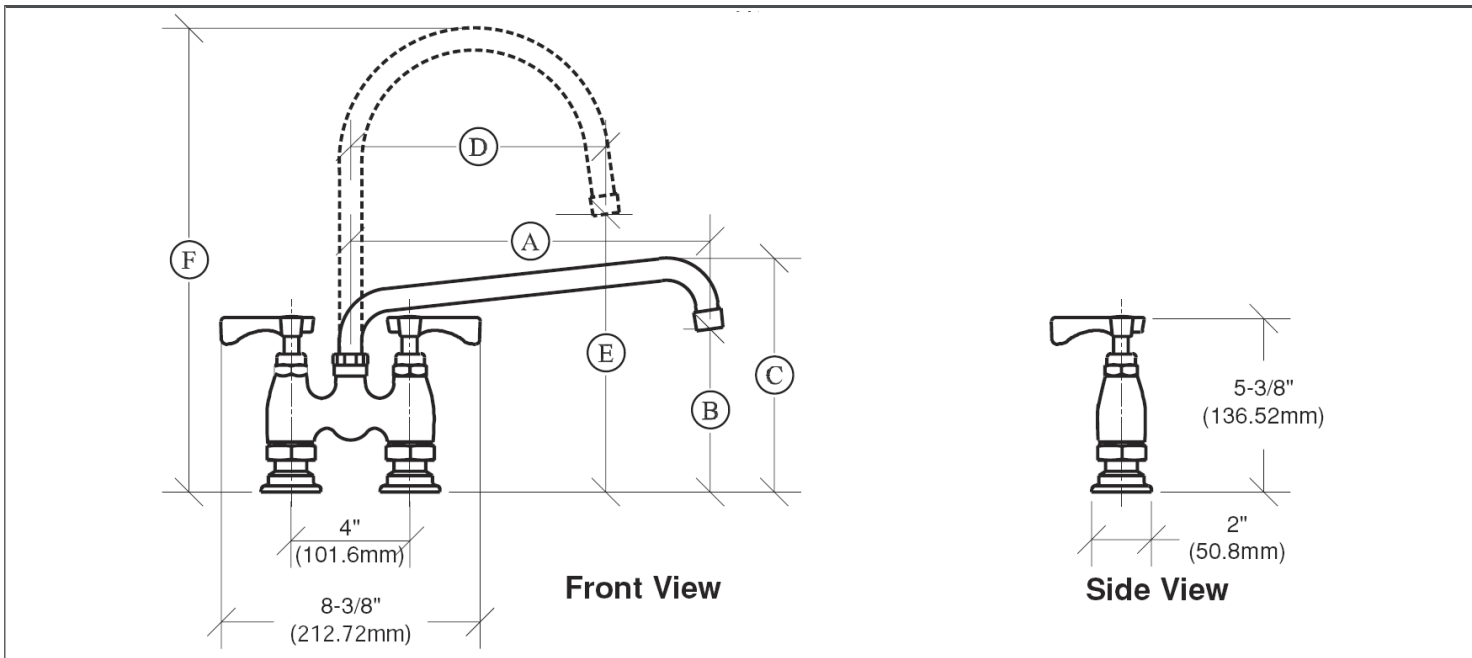
GOOSENECK SPOUTS

Model Numbers	Ⓓ	Ⓔ	Ⓕ
15-425	3 1/2"	8 1/8"	10 3/4"
15-401	6"	8 1/8"	12 1/8"
15-402	8 1/2"	9 5/8"	15"

NOTE: Add "L" to end of Model Number for Low Lead Model

*Double Jointed Spout

DRAWING



APPROVED BY:

Due to our commitment to continued product improvement, specifications are subject to change without notice.

CERTIFICATIONS:

Krowne Metal Corporation

100 Haul Rd. Wayne, NJ 07470 • Toll Free: (800) 631-0442 • Fax: (973) 872-1129

sales@krowne.com • www.krowne.com • www.facebook.com/KrowneMetal • www.twitter.com/KrowneMetal

Printed in the USA

Rev. 05/2012
No. 15-4XX

A City Discount