



# ROYAL SERIES PLUMBING

## 8" CENTER RAISED DECK MOUNT FAUCETS

MODEL: \_\_\_\_\_ PROJECT: \_\_\_\_\_ ITEM #: \_\_\_\_\_ QTY: \_\_\_\_\_

### PRODUCT IMAGE



15-812 SHOWN

**ALSO AVAILABLE IN LOW LEAD BY  
ADDING "L" TO MODEL NUMBER**

### STANDARD FEATURES

- 1/4 turn high performance ceramic cartridge valve with built-in back flow preventers
- Heavy-Duty flanges with eccentric fittings for quick installations
- Heavy-Duty spout with double O-Ring construction and welded shoulder for durability
- High precision machining and polished nickel chromium finish
- Color-coded handles
- Optional wrist blade handles available
- Full replacement parts available
- 1 Year Warranty
- **Low Lead Compliance**  
"L" Models meet California AB-1953 and Vermont S152 standards  
*(Faucet models already listed with the "L" suffix (i.e. 12-806L) are only available in Low Lead Compliant model)*

### SPECIFICATIONS

- 8" on center deck mount with 1/2" NPT female inlets
- Rough in: Two 7/8" round holes on 8" centers
- Temperature Range: 40°F to 180°F
- Flow rate: 2 GPM max
- Shipping weight: 5 1/2 lbs.



#### CERTIFICATIONS:

#### APPROVED BY:

Due to our commitment to continued product improvement, specifications are subject to change without notice.

Printed in the USA

**Krowne Metal Corporation**

100 Haul Rd. Wayne, NJ 07470 • Toll Free: (800) 631-0442 • Fax: (973) 872-1129  
sales@krowne.com • www.krowne.com • www.facebook.com/KrowneMetal • www.twitter.com/KrowneMetal

A City Discount

Rev. 05/2012  
No. 15-8XX



# ROYAL SERIES PLUMBING

## 8" CENTER RAISED DECK MOUNT FAUCETS

MODEL: \_\_\_\_\_ PROJECT: \_\_\_\_\_ ITEM #: \_\_\_\_\_ QTY: \_\_\_\_\_

### MODELS

#### STANDARD SPOUTS

Model Numbers	Ⓐ	Ⓑ	Ⓒ
15-806	6"	4 5/8"	7 1/8"
15-808	8"	4 5/8"	7 1/8"
15-810	10"	4 7/8"	7 3/8"
15-812	12"	5 3/8"	7 7/8"
15-814	14"	5 3/4"	8 1/4"
15-818*	18"	7 3/4"	10 1/4"
15-8XXL	N/A	N/A	N/A

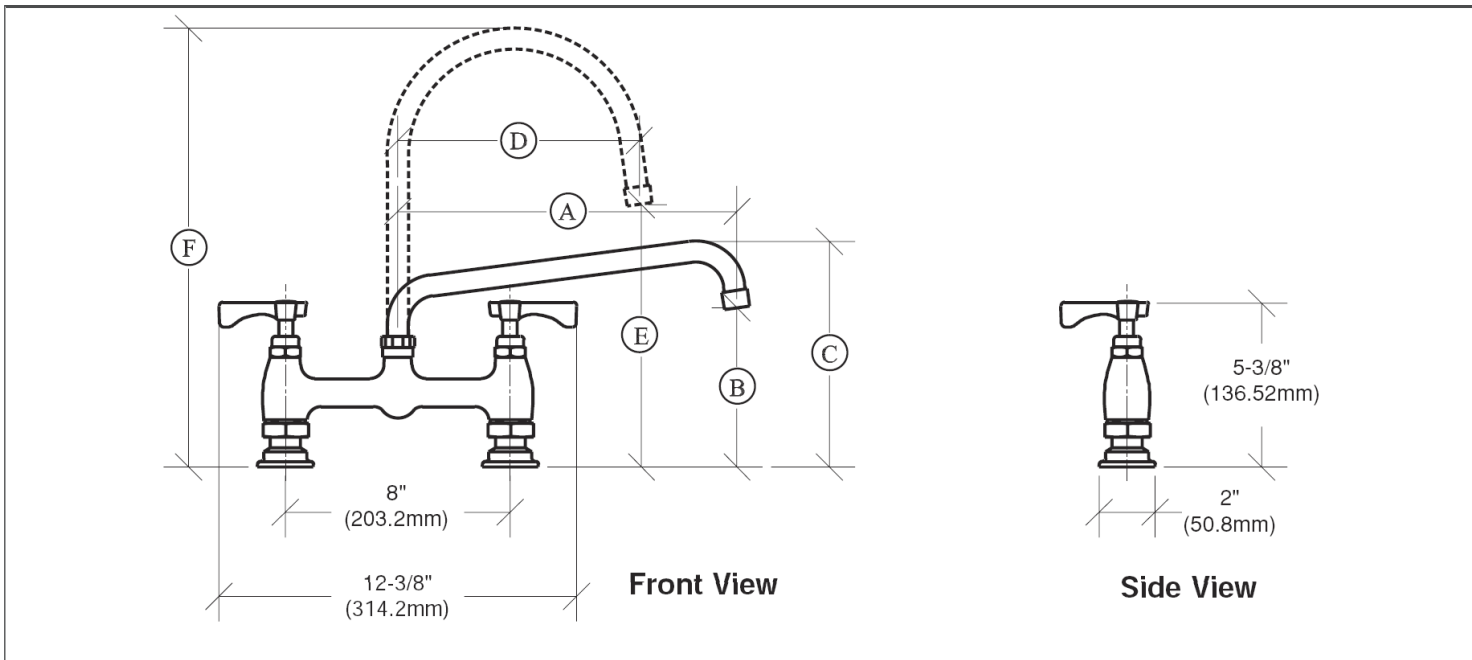
#### GOOSENECK SPOUTS

Model Numbers	Ⓓ	Ⓔ	Ⓕ
15-825	3 1/2"	7 7/8"	10 1/2"
15-801	6"	7 7/8"	11 7/8"
15-802	8 1/2"	9 5/8"	15"

NOTE: Add "L" to end of Model Number for Low Lead Model

\*Double Jointed Spout

### DRAWING



APPROVED BY:

CERTIFICATIONS:

Due to our commitment to continued product improvement, specifications are subject to change without notice.

Printed in the USA

**Krowne Metal Corporation**

100 Haul Rd. Wayne, NJ 07470 • Toll Free: (800) 631-0442 • Fax: (973) 872-1129

sales@krowne.com • www.krowne.com • www.facebook.com/KrowneMetal • www.twitter.com/KrowneMetal

Rev. 05/2012  
No. 15-8XX

A City Discount