



Model: **16-648** Item #: _____ Date: _____
 Project: _____ Qty: _____ Approved By: _____

Deck Mount Electronic Sensor Pitcher Filler

Royal Series Plumbing



Standard Features

- Includes control module, mixing valve, and 3 supply lines
- Infrared sensor operated
- Sensor operating range 3/4" to 7-3/4", factory set at 6"
- Easy adjust shut-off delay, auto flush, auto time-out, and range sensitivity
- Uses (4) AA alkaline batteries
- 12"H from deck to spout tip
- Low battery indicator light
- 30 seconds auto shut-off

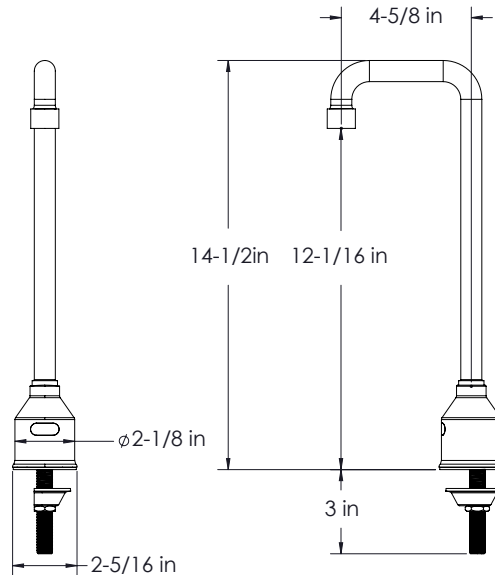
Specifications

| | |
|--------------------------|--------------------------------|
| Water Inlet | 1/4" NPS Male |
| Centers | Single Hole |
| Mounting Style | Deck Mount |
| Rough In | 7/8" Round Hole |
| Temp. Range | 36° - 185°F |
| Operating Pressure | 1.0 - 7.5kg/cm2 (14.0-107 PSI) |
| Water Endurance Pressure | 125 PSI |
| Flow Rate | 1.5 GPM |
| Material | Stainless Steel 304 |
| Finish | Polished Chrome |
| Weight | 2 lbs |

| Model | Description |
|--------|---|
| 16-648 | Deck Mount Electronic Sensor Pitcher Filler, Chrome Finish, and 1.5 GPM Aerator Installed |

Product Compliance

- Meets ANSI A117.1 (ADA)



WARNING:

Plumbing connections should be made by qualified personnel who will observe all applicable plumbing, sanitary and safety codes.

California Prop 65 Warning:

This product can expose you to chemicals including lead and lead compounds, which are known to the State of California to cause cancer and birth defects or other reproductive harm. For more information go to www.P65Warnings.ca.gov.