



# ROYAL SERIES PLUMBING

## 8" CENTER WALL MOUNT UTILITY SPRAY with ADD-ON FAUCET

MODEL: **19-112** PROJECT: \_\_\_\_\_ ITEM #: \_\_\_\_\_ QTY: \_\_\_\_\_

### PRODUCT IMAGE



19-112 SHOWN

**ALSO AVAILABLE IN LOW LEAD BY  
ADDING "L" TO MODEL NUMBER**

### STANDARD FEATURES

- 1/4 turn high performance ceramic cartridge valves with built-in back flow preventers
- Angled spray head
- Add-on faucet with 12" spout
- Built-in vacuum breaker
- 96" heavy-duty stainless steel clad flexible hose. Tested to 400 PSI
- Plastic coated wall hook with chrome plated base
- Full replacement parts available
- 1 year warranty
- Mounting kit included (1/2" NPT x 1 1/2" male nipples with locknuts)
- **Low Lead Compliance**  
"L" Models meet California AB-1953 and Vermont S152 standards

### SPECIFICATIONS

- 8" center wall mount with 1/2" NPT female inlets
- Rough in: Two 7/8" round holes on 8" centers
- Temperature Range: 40°F to 180°F
- Shipping weight: 14 lbs.



**CERTIFICATIONS:**

**APPROVED BY:**

Due to our commitment to continued product improvement, specifications are subject to change without notice.

Printed in the USA

**Krowne Metal Corporation**

100 Haul Rd. Wayne, NJ 07470 • Toll Free: (800) 631-0442 • Fax: (973) 872-1129  
sales@krowne.com • www.krowne.com • www.facebook.com/KrowneMetal • www.twitter.com/KrowneMetal

A City Discount

Rev. 09/2011  
No. 19-112



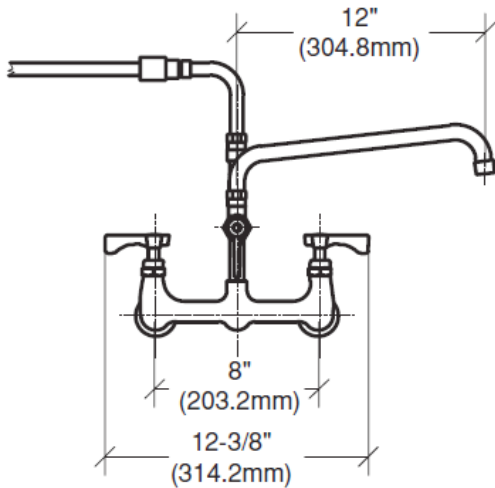
# ROYAL SERIES PLUMBING

## 8" CENTER WALL MOUNT UTILITY SPRAY with ADD-ON FAUCET

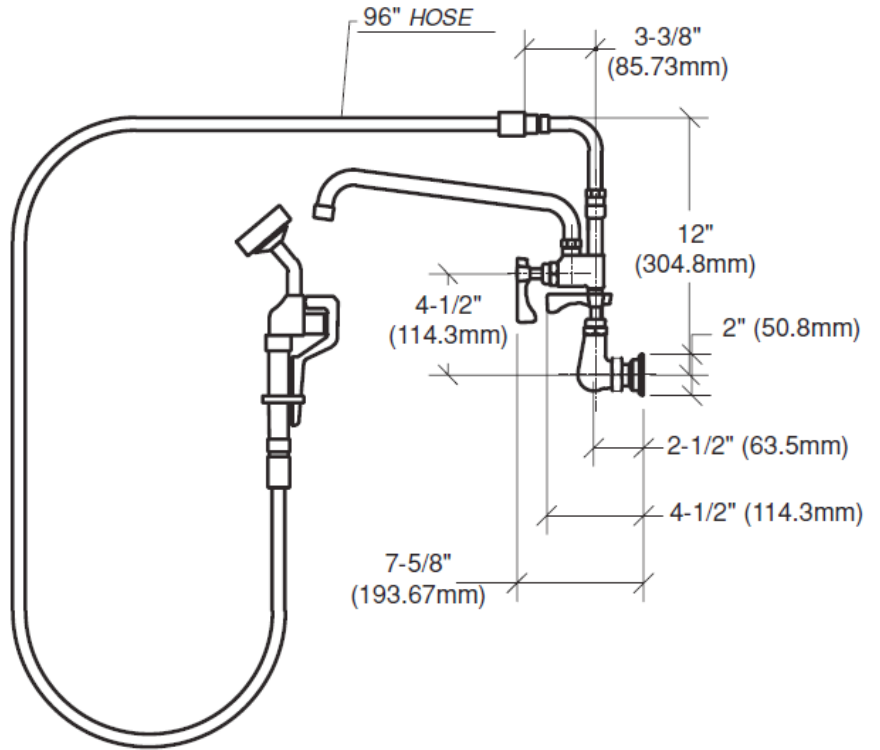
MODEL: **19-112**

PROJECT: \_\_\_\_\_ ITEM #: \_\_\_\_\_ QTY: \_\_\_\_\_

### DRAWING



Front View



Side View



**APPROVED BY:**

Due to our commitment to continued product improvement, specifications are subject to change without notice.

**CERTIFICATIONS:**

Printed in the USA

**Krowne Metal Corporation**

100 Haul Rd. Wayne, NJ 07470 • Toll Free: (800) 631-0442 • Fax: (973) 872-1129

sales@krowne.com • www.krowne.com • www.facebook.com/KrowneMetal • www.twitter.com/KrowneMetal

Rev. 09/2011  
No. 19-112

A City Discount