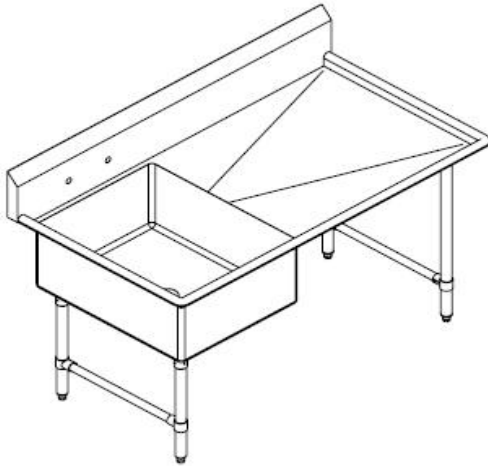




# "1B-1DB" "B" Series Sinks

One Compartment Sinks w/ 1 Drainboard  
w/ Stainless Steel Base & Bracing



**STANDARD:** 16 ga. 300 S/S welded Bowls  
16 ga. 300 S/S Drainboard and Splash  
10" Back Splash

| STANDARD     |     |
|--------------|-----|
| 16 Gauge     | Qty |
| 1B16204-1D18 |     |
| 1B184-1D18   |     |
| 1B18244-1D18 |     |
| 1B18244-1D24 |     |
| 1B244-1D24   |     |

**Must specify  
Left or Right  
Drainboards**

**Bowl Sizes:**

- 16" X 20"
- 18" X 18"
- 18" X 24"
- 24" X 24"

**FEATURES:**

- \* Standard 16 Gauge Type 300 stainless steel with # 3 polish, satin finish
- \* 14" Deep Bowls
- \* All Corners, both vertical and horizontal, covered at 3/4" radius
- \* Bottoms of bowls formed for drainage to 3-1/2" diameter die stamped opening
- \* Full length **10" High Boxed Backsplash**, with 2" return to wall at 45 degree and 1" turned down rear lip
- \* 1-1/8" Faucet Holes in Backsplash
- \* All outside corners of assembly are Bullnosed to provide safe, clean and polished edge
- \* Standard stainless steel legs 1-5/8" diameter
- \* Legs located directly under sink bowls, providing increased stability and maximum weight support

**CONSTRUCTION:**

- Top: Stainless Steel Sinks are TIG welded, Exposed welds are polished to match adjacent surface.
- Bases: Stainless Steel Bases are MIG welded

**MATERIAL:**

- Bowls & 16 gauge stainless Steel
- Top: Type 300 stainless steel with # 3 polish, satin finish
- Legs: 1 5/8" Round O.D., stainless steel
- Bracing: 1 1/4" Round O.D., stainless steel
- Gussets: Stainless Steel
- Feet: 1" adjustable stainless steel bullet feet

**OPTIONAL ACCESSORIES**

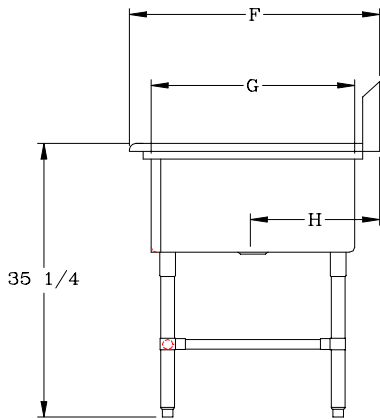
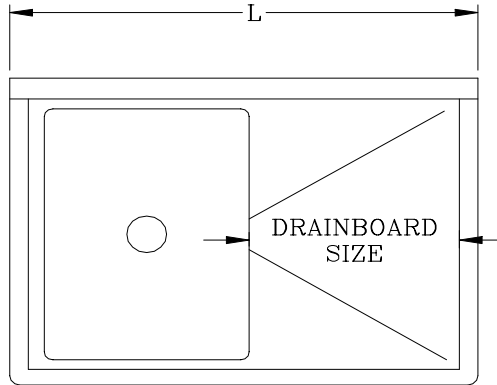
|                 | Qty |
|-----------------|-----|
| FAUCETS         |     |
| ADD-A-FAUCETS   |     |
| PRE-RINSE UNITS |     |
| LEVEL WASTE     |     |
| OVERSHELVES     |     |
| POT RACK        |     |

**John Boos & Co**

315 South First Street - Effingham, IL 62401  
Phone: 217-347-7701 - Fax: 217-347-7705  
Email: sales@johnboos.com - Web-site: www. johnboos.com

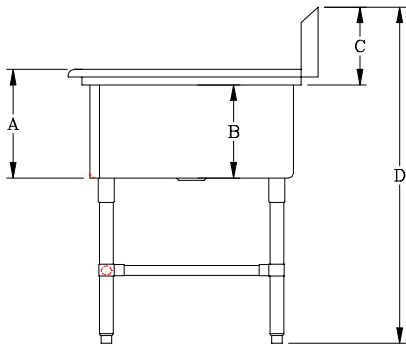
## DETAILED SPECIFICATIONS

| BOWLS   | F       | G   | H         |
|---------|---------|-----|-----------|
| 16 X 20 | 25-1/2" | 20" | 12-15/16" |
| 18 X 18 | 23-1/2" | 18" | 11-15/16" |
| 18 X 24 | 29-1/2" | 24" | 14-15/16" |
| 24 X 24 | 29-1/2" | 24" | 14-15/16" |



|          |         |
|----------|---------|
| <b>A</b> | 16-1/4" |
| <b>B</b> | 14"     |
| <b>C</b> | 10"     |
| <b>D</b> | 43"     |

| STANDARD 16 GAUGE |              |               |     |     |
|-------------------|--------------|---------------|-----|-----|
| MODEL             | BOWL SIZE    | DIMENSIONS    | DB  | WT. |
| 1B16204-1D18      | 16 X 20 X 14 | 38" X 25-1/2" | 18" | 65  |
| 1B184-1D18        | 18 X 18 X 14 | 40" X 23-1/2" | 18" | 62  |
| 1B18244-1D18      | 18 X 24 X 14 | 40" X 29-1/2" | 18" | 70  |
| 1B18244-1D24      | 18 X 24 X 14 | 46" x 29-1/2" | 24" | 82  |
| 1B244-1D24        | 24 X 24 X 14 | 52" X 29-1/2" | 24" | 135 |



All dimensions are typical.

Tolerance +/- .500".

All units ship unassembled for reduced shipping cost.

### John Boos & Co

315 South First - Effingham, IL 62401 Phone: 217-347-7701 - Fax: 217-347-7705

Email: sales@johnboos.com - Web-site: www.johnboos.com



May 2009

John Boos is constantly engaged in a program of improving products and therefore reserves the right to change specification without prior notice