



**John
BOOS**
Since 1887

ITEM #: _____ QTY: _____
 MODEL #: _____
 PROJECT NAME: _____

3601 S. Banker St. Effingham, IL 62401 • P.O. BOX 609 • Ph: (888) 431-2667 • Fax: (800) 433-2667

"1PB-1D" PRO-BOWL COMPARTMENT SINKS 16GA

1 COMPARTMENT WITH 1 DRAIN BOARD - STAINLESS STEEL BASE



FEATURES:

- STANDARD 16GA TYPE 300 STAINLESS STEEL WITH #4 POLISH, SATIN FINISH
- 12" & 14" DEEP BOWLS
- ALL CORNERS, BOTH VERTICAL AND HORIZONTAL, COVED AT 5/8" RADIUS
- BOTTOMS OF BOWLS FORMED FOR DRAINAGE TO 3-1/2" DIAMETER DIE STAMPED OPENING
- FULL LENGTH **10" HIGH BOXED BACKSPLASH**, WITH 2" RETURN TO WALL AT 45 DEGREE AND 3/4" TURNED DOWN REAR LIP
- 8" ON-CENTER, 1-1/8" FAUCET HOLES IN BACKSPLASH
- SOLID STAINLESS STEEL FRONT PANEL, TYPE 300 STAINLESS STEEL WITH #4 POLISH, SATIN FINISH
- ALL OUTSIDE CORNERS OF ASSEMBLY ARE BULLNOSED TO PROVIDE SAFE, CLEAN, AND POLISHED EDGE

CONSTRUCTION:

- TOP: STAINLESS STEEL SINKS ARE TIG WELDED, EXPOSED WELDS ARE POLISHED TO MATCH ADJACENT SURFACE
- BASE: STAINLESS STEEL BASES, STANDARD K.D.

MATERIAL:

- BOWLS & TOP: 16GA TYPE 300 STAINLESS STEEL WITH #4 POLISH, SATIN FINISH
- LEGS: 1-5/8" ROUND O.D. STAINLESS STEEL
- BRACING: 1-1/4" ROUND O.D. STAINLESS STEEL
- GUSSETS: STAINLESS STEEL
- FEET: 1" ADJUSTABLE STAINLESS STEEL BULLET FEET



SPECIFY LEFT SIDE OR RIGHT SIDE DRAIN BOARD

16GA - "1PB-1D" PRO-BOWL SERIES SINK

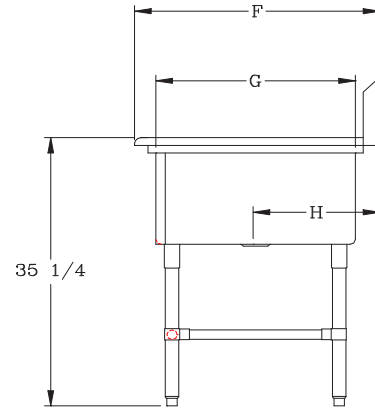
12" DEEP	QTY	14" DEEP	QTY
1PB1618-1D18		1PB16184-1D18	
1PB1618-1D24		1PB16184-1D24	
1PB18-1D18		1PB184-1D18	
1PB18-1D24		1PB184-1D24	
1PB18-1D30		1PB184-1D30	
1PB1824-1D18		1PB18244-1D18	
1PB1824-1D24		1PB18244-1D24	
1PB1824-1D30		1PB18244-1D30	
1PB24-1D24		1PB244-1D24	
1PB24-1D30		1PB244-1D30	
1PB3024-1D30		1PB30244-1D30	
1PB3024-1D36		1PB30244-1D36	

OPTIONAL ACCESSORIES

DESCRIPTION	QTY
END SPLASHES, R, L, OR BOTH	
FAUCETS	
ADD-A-FAUCETS	
PRE-RINSE UNITS	
LEVEL WASTE	
OVERSHELVES	
POT RACK	

DETAILED SPECIFICATIONS

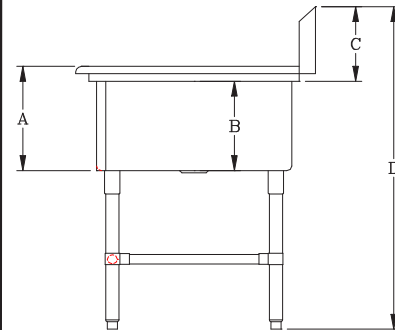
BOWL SIZE	F	G	H
16" X 18"	23-1/2"	18"	11-15/16"
16" X 20"	25-1/2"	20"	12-15/16"
18" X 18"	23-1/2"	18"	11-15/16"
18" X 24"	29-1/2"	24"	14-15/16"
24" X 24"	29-1/2"	24"	14-15/16"
30" X 24"	29-1/2"	24"	14-15/16"



(12" DEEP) 16GA - "1PB-1D" PRO-BOWL SERIES SINK

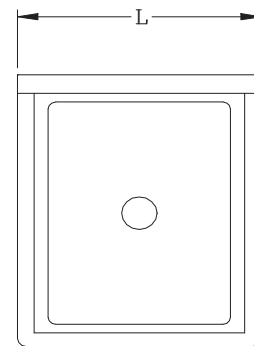
MODEL	BOWL SIZE	DIMENSIONS	DB	WT. (LBS)
1PB1618-1D18	16 X 18 X 12	38-3/16" X 23-1/2"	18"	54
1PB1618-1D24	18 X 18 X 12	44-3/16" X 23-1/2"	24"	58
1PB18-1D18	18 X 18 X 12	40-3/16" X 23-1/2"	18"	57
1PB18-1D24	18 X 18 X 12	46-3/16" X 23-1/2"	24"	60
1PB18-1D30	18 X 18 X 12	52-3/16" X 23-1/2"	30"	64
1PB1824-1D18	18 X 24 X 12	40-3/16" X 29-1/2"	18"	64
1PB1824-1D24	18 X 24 X 12	46-3/16" X 29-1/2"	24"	68
1PB1824-1D30	18 X 24 X 12	52-3/16" X 29-1/2"	30"	72
1PB24-1D24	24 X 24 X 12	52-3/16" X 29-1/2"	24"	75
1PB24-1D30	24 X 24 X 12	58-3/16" X 29-1/2"	30"	80
1PB3024-1D30	30 X 24 X 12	64-3/16" X 29-1/2"	30"	87
1PB3024-1D36	30 X 24 X 12	70-3/16" X 29-1/2"	36"	91

	12" DEEP	14" DEEP
A	14"	16"
B	12"	14"
C	10"	10"
D	43"	43"



(14" DEEP) 16GA - "1PB-1D" PRO-BOWL SERIES SINK

MODEL	BOWL SIZE	DIMENSIONS	DB	WT. (LBS)
1PB16184-1D18	16 X 18 X 14	38-3/16" X 23-1/2"	18"	57
1PB16184-1D24	18 X 18 X 14	44-3/16" X 23-1/2"	24"	61
1PB184-1D18	18 X 24 X 14	40-3/16" X 23-1/2"	18"	59
1PB184-1D24	24 X 24 X 14	46-3/16" X 23-1/2"	24"	63
1PB184-1D30	18 X 18 X 14	52-3/16" X 23-1/2"	30"	67
1PB18244-1D18	18 X 24 X 14	40-3/16" X 29-1/2"	18"	66
1PB18244-1D24	18 X 24 X 14	46-3/16" X 29-1/2"	24"	71
1PB18244-1D30	18 X 24 X 14	52-3/16" X 29-1/2"	30"	75
1PB244-1D24	24 X 24 X 14	52-3/16" X 29-1/2"	24"	78
1PB244-1D30	24 X 24 X 14	58-3/16" X 29-1/2"	30"	83
1PB30244-1D30	30 X 24 X 14	64-3/16" X 29-1/2"	30"	90
1PB30244-1D36	30 X 24 X 14	70-3/16" X 29-1/2"	36"	95



SOME UNITS SHIP UNASSEMBLED FOR REDUCED SHIPPING COST. ALL DIMENSIONS ARE TYPICAL. TOLERANCE +/- .500"
 John Boos & Co. is constantly engaged in a program of improving products and therefore reserves the right to change specifications without prior notice.



3601 S. Banker St. • Effingham, IL 62401 • PO BOX 609 • quotes@johnboos.com

Boos
lock

AQ AutoQuotes

www.johnboos.com