



T&S BRASS AND BRONZE WORKS, INC.
 2 Saddleback Cove / P.O. Box 1088
 Travelers Rest, SC 29690

Model No.
238AC

Item No.

Travelers Rest, SC: 800-476-4103 • Simi Valley, CA: 800-423-0150 • Fax: 864-834-3518 • www.tsbrass.com

This Space for Architect/Engineer Approval

Job Name _____ Date _____

Model Specified _____ Quantity _____

Customer/Wholesaler _____

Contractor _____

Architect/Engineer _____

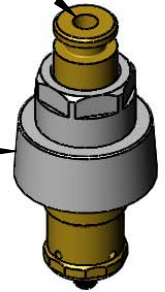


ADA Compliant

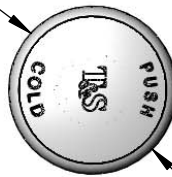
Access to Metering Adjustment (Requires 3/32" Hex Key Wrench)



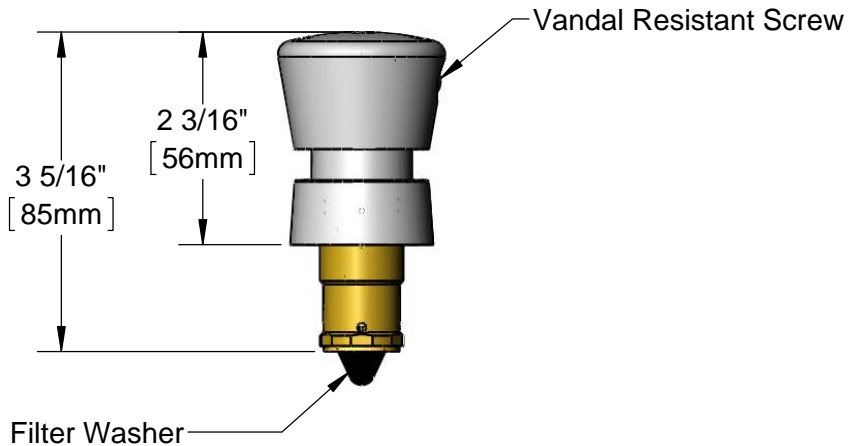
238A Metering Cartridge



Cold Push Button w/ VR Screw & Spanner Bit



Ø 1 3/4"
 [44mm]



014734-45
 #8 Spanner Bit
 (Included)

Product Specifications:
 238A Metering Cartridge with Cold Push Button

Drawn DHL	Checked DMH	Approved JHB
Scale: 1:2		Date: 03/18/13