



# 248 Series

Water And Ice Station

Project \_\_\_\_\_

Item \_\_\_\_\_

Quantity \_\_\_\_\_

CSI Section 11400

Approved \_\_\_\_\_

Date \_\_\_\_\_

248 Series: Water And Ice Station

## Models

- 248 31.00" x 15.00" x 22.60" water and ice station



248

## Standard Features

- Stainless steel top with raised die stamped opening
- One-piece stainless lift off cover with handle
- ABS plastic interior liner with covered corners
- 1" diameter drain plumbed out the bottom
- High-density environmentally friendly, Kyoto Protocol Compliant, Non ODP (Ozone Depletion Potential), Non GWP (Global Warming Potential) polyurethane foam throughout unit
- Exterior tank is made of galvanized steel
- Glass filler is 9.50" high, over a dies stamped drain opening fitted with chrome plated wire strainer
- One year parts and 90 day labor standard warranty

## Options & Accessories

- Pitcher filler

## Specifications

Top is stainless steel. Top mounts a 9.50" (24cm) high glass filler over die-stamped drain opening fitted with chrome-plated wire strainer. Bin opening is die-stamped with 0.19" (0.5cm) raised edge, measures 10.50" x 15.13" (27cm x 38cm), has one-piece lift-off stainless steel cover.

Bin liner is high-impact ABS plastic, has covered corners and is pitched to 1.00" (3cm) diameter drain. Sides and bottom of bin insulated with high-density environmentally friendly, Kyoto Protocol Compliant, Non ODP (Ozone Depletion Potential), Non GWP (Global Warming Potential) polyurethane. Bin holds 45 pounds of ice.

Exterior housing is 24-gauge galvanized steel.

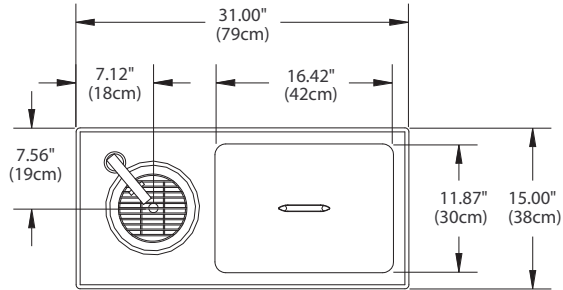


980 S. Isabella Rd.  
Mt. Pleasant, Michigan 48858

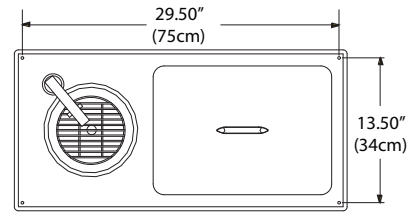
Phone: 800-733-8948 or 989-773-7981  
Fax: 800-669-0619

[www.delfield.com](http://www.delfield.com)

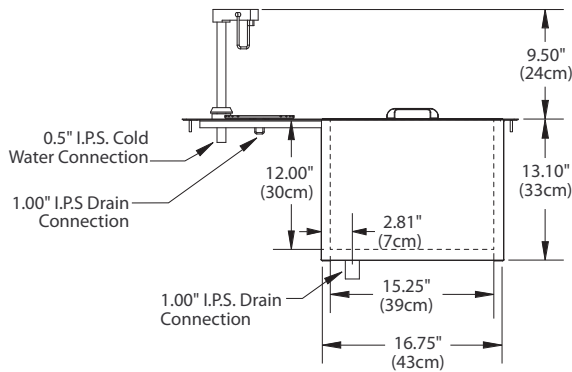




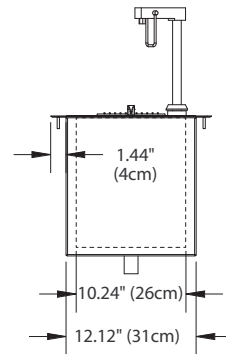
Plan View



Mounting Stud Locations



Elevation View



Side View

Specifications						
Model	L	D	H	Cutout Size	Ice Capacity	Ship Weight
248	31.00" (79cm)	15.00" (38cm)	22.60" (57cm)	28.00" x 12.50" (71cm x 32cm)	45 lbs (20 kg)	28 lbs (13 kg)

Delfield reserves the right to make changes to the design or specifications without prior notice.

980 S. Isabella Rd.  
Mt. Pleasant, Michigan 48858

Phone: 800-733-8948 or 989-773-7981  
Fax: 800-669-0619  
www.delfield.com

Printed in the U.S.A.  
DS248  
12/12

