

LOW PROFILE 3 1/2" x 3 1/2" PLATE CASTERS

MODEL: _____ PROJECT: _____ ITEM #: _____ QTY: _____

PRODUCT IMAGE

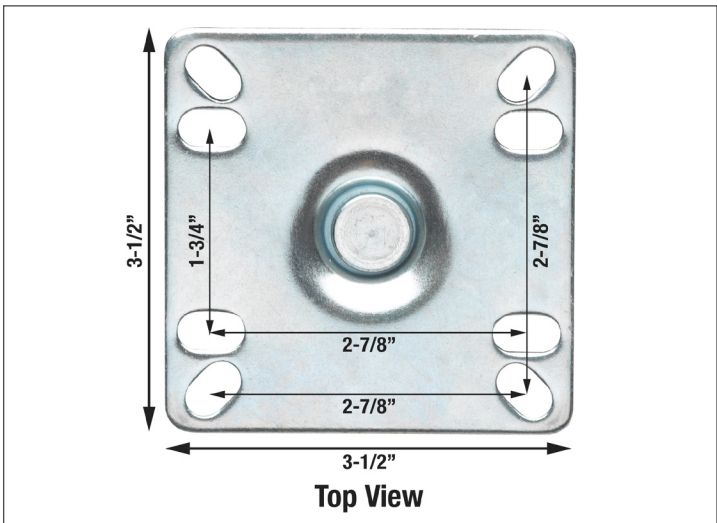


28-110S SHOWN

STANDARD FEATURES

- Universal 3 1/2" x 3 1/2" plate
- Fits most manufacturers
- Grease resistant wheels with brakes
- Raises height of equipment 3"
- Set of 4 per box
- Quantity per case: 12

HOLE CENTERS



SPECIFICATIONS

Model Number	Hole Centers	Weight/Set of 4 (lbs.)	Load Capacity per Caster (lbs.)	Temp Range	Wheel Size	Overall Height
28-110S	2 7/8" Outer 1 3/4" Inner	9	220	14°F to 212°F	2" with Brake	3"

APPROVED BY:

CERTIFICATIONS:

Due to our commitment to continued product improvement, specifications are subject to change without notice.