



**John
BOOS**
Since 1887

ITEM #: _____ QTY: _____
 MODEL #: _____
 PROJECT NAME: _____

3601 S. Banker St. Effingham, IL 62401 • P.O. BOX 609 • Ph: (888) 431-2667 • Fax: (800) 433-2667

"2PB" PRO-BOWL COMPARTMENT SINKS 16GA

2 COMPARTMENT - STAINLESS STEEL BASE



FEATURES:

- STANDARD 16GA TYPE 300 STAINLESS STEEL WITH #4 POLISH, SATIN FINISH
- 12" & 14" DEEP BOWLS
- ALL CORNERS, BOTH VERTICAL AND HORIZONTAL, COVERED AT 5/8" RADIUS
- BOTTOMS OF BOWLS FORMED FOR DRAINAGE TO 3-1/2" DIAMETER DIE STAMPED OPENING
- FULL LENGTH **10" HIGH BOXED BACKSPLASH**, WITH 2" RETURN TO WALL AT 45 DEGREE AND 3/4" TURNED DOWN REAR LIP
- 8" ON-CENTER, 1-1/8" FAUCET HOLES IN BACKSPLASH
- SOLID STAINLESS STEEL FRONT PANEL, TYPE 300 STAINLESS STEEL WITH #4 POLISH, SATIN FINISH
- ALL OUTSIDE CORNERS OF ASSEMBLY ARE BULLNOSED TO PROVIDE SAFE, CLEAN, AND POLISHED EDGE

MATERIAL:

- BOWLS & TOP: 16GA TYPE 300 STAINLESS STEEL WITH #4 POLISH, SATIN FINISH
- LEGS: 1-5/8" ROUND O.D. STAINLESS STEEL
- BRACING: 1-1/4" ROUND O.D. STAINLESS STEEL
- GUSSETS: STAINLESS STEEL
- FEET: 1" ADJUSTABLE STAINLESS STEEL BULLET FEET



CONSTRUCTION:

- TOP: STAINLESS STEEL SINKS ARE TIG WELDED, EXPOSED WELDS ARE POLISHED TO MATCH ADJACENT SURFACE
- BASE: STAINLESS STEEL BASES, STANDARD K.D.

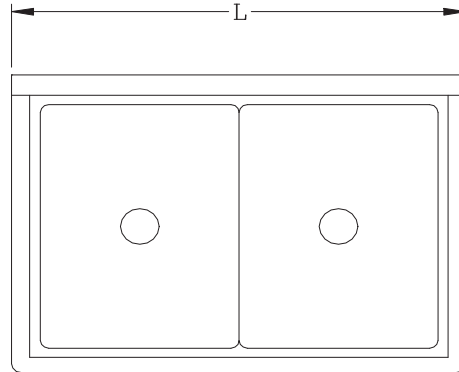
16GA - "2PB" PRO-BOWL SERIES SINK

12" DEEP	QTY	14" DEEP	QTY
2PB1618		2PB16184	
2PB18		2PB184	
2PB1824		2PB18244	
2PB24		2PB244	
2PB3024		2PB30244	

OPTIONAL ACCESSORIES

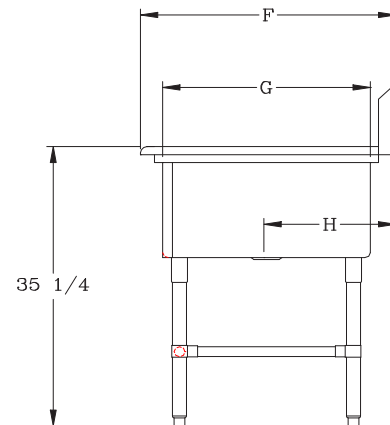
DESCRIPTION	QTY
END SPLASHES, R, L, OR BOTH	
FAUCETS	
ADD-A-FAUCETS	
PRE-RINSE UNITS	
LEVEL WASTE	
OVERSHELVES	
POT RACK	

DETAILED SPECIFICATIONS



BOWLS

BOWL SIZE	F	G	H
16" X 18"	23-1/2"	18"	11-15/16"
16" X 20"	25-1/2"	20"	12-15/16"
18" X 18"	23-1/2"	18"	11-15/16"
18" X 24"	29-1/2"	24"	14-15/16"
24" X 24"	29-1/2"	24"	14-15/16"
30" X 24"	29-1/2"	24"	14-15/16"



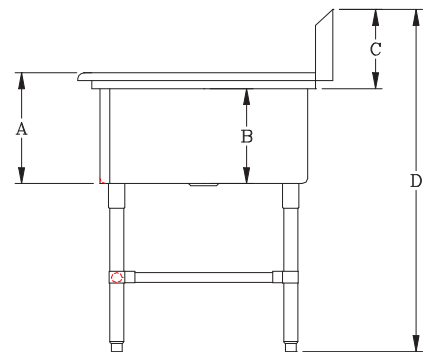
(12" DEEP) 16GA - "2PB" PRO-BOWL SERIES SINK

MODEL	BOWL SIZE	DIMENSIONS	DB	WT. (LBS)
2PB1618	16" X 18" X 12"	37-1/8" X 23-1/2"	-	72
2PB18	18" X 18" X 12"	41-1/8" X 23-1/2"	-	77
2PB1824	18" X 24" X 12"	41-1/8" X 29-1/2"	-	87
2PB24	24" X 24" X 12"	53-1/8" X 29-1/2"	-	104
2PB3024	30" X 24" X 12"	65-1/8" X 29-1/2"	-	120

	12" DEEP	14" DEEP
A	14"	16"
B	12"	14"
C	10"	10"
D	43"	43"

(14" DEEP) 16GA - "2PB" PRO-BOWL SERIES SINK

MODEL	BOWL SIZE	DIMENSIONS	DB	WT. (LBS)
2PB16184	16" X 18" X 14"	37-1/8" X 23-1/2"	-	78
2PB184	18" X 18" X 14"	41-1/8" X 23-1/2"	-	84
2PB18244	18" X 24" X 14"	41-1/8" X 29-1/2"	-	94
2PB244	24" X 24" X 14"	53-1/2" X 29-1/2"	-	112
2PB30244	30" X 24" X 14"	65-1/8" X 29-1/2"	-	130



SOME UNITS SHIP UNASSEMBLED FOR REDUCED SHIPPING COST. ALL DIMENSIONS ARE TYPICAL. TOLERANCE +/- .500"
 John Boos & Co. is constantly engaged in a program of improving products and therefore reserves the right to change specifications without prior notice.



3601 S. Banker St. • Effingham, IL 62401 • PO BOX 609 • quotes@johnboos.com



www.johnboos.com