

# WG-2424G, WG-2436G, WG-3036G & WG-3048G

GAS COUNTERTOP GRIDDLES



WG-2424

Wells Gas Countertop Griddles are designed for use with natural or LP gas. In addition to the standard grill surface there are two options to choose from, grooved or chrome-plated. The griddles have u-shaped burners and internal baffling to direct heat and airflow for greater efficiency.

## Specifications

Overall Dimensions:	W (In.)	D (In.)
WG-2424G	23 3/4	25 3/8
WG-2436G	35 3/4	25 3/8
WG-3036G	35 3/4	30
WG-3048G	47 13/16	30
Griddle Surface Dimensions:	W (In.)	D (In.)
WG-2424G	23 7/8	20 1/2
WG-2436G	35 7/8	20 1/2
WG-3036G	35 7/8	24
WG-3048G	47 3/4	24
Typical Production	Per Load	Per Hour
<b>WG-2424G</b>		
Hamburgers	37	555
Steaks	14	160
Pancakes	30	360
Eggs	40	560
<b>WG-2436G</b>		
Hamburgers	55	825
Steaks	21	250
Pancakes	44	528
Eggs	57	798
<b>WG-3036G</b>		
Hamburgers	73	1095
Steaks	26	310
Pancakes	60	720
Eggs	79	1106
<b>WG-3048G</b>		
Hamburgers	87	1392
Steaks	34	408
Pancakes	68	816
Eggs	90	1260
Weights:	Lbs.	KG
WG-2424G	190	210
WG-2436G	257	291
WG-3036G	305	325
WG-3048G	359	423

## Features

- **Stainless steel hinged front panel** protects control knobs.
- **Each individual snap-action thermostat** controls twelve inches of the cooking surface.
- **Griddle surface** is a 3/4" thick, steel plate heated by u-shaped burners that provide even heat distribution over the entire surface.
- **Each burner** has an adjustable air shutter to provide optimum combustion.
- **Full width front grease trough** allows convenient cleaning of entire griddle surface.
- **Integral splashguard** makes clean up of surrounding surfaces easier.
- **The removable front grease drawer** has a four-quart capacity.
- Available for use with **natural or LP gas**.
- **The WG-2424G – WG-3048G gas griddles** meet ANSI Z83 and NSF International standards.
- **A one-year warranty** against defects covers parts and labor.

## Accessories / Options

**Chrome-plated griddle surface**, allows more efficient heat transfer throughout the cooking area, available by special order.

**Grooved griddle surface**, 3/4-inch thick ribbed steel plate that allows for the "branding" of meat products, available by special order.





STD.4

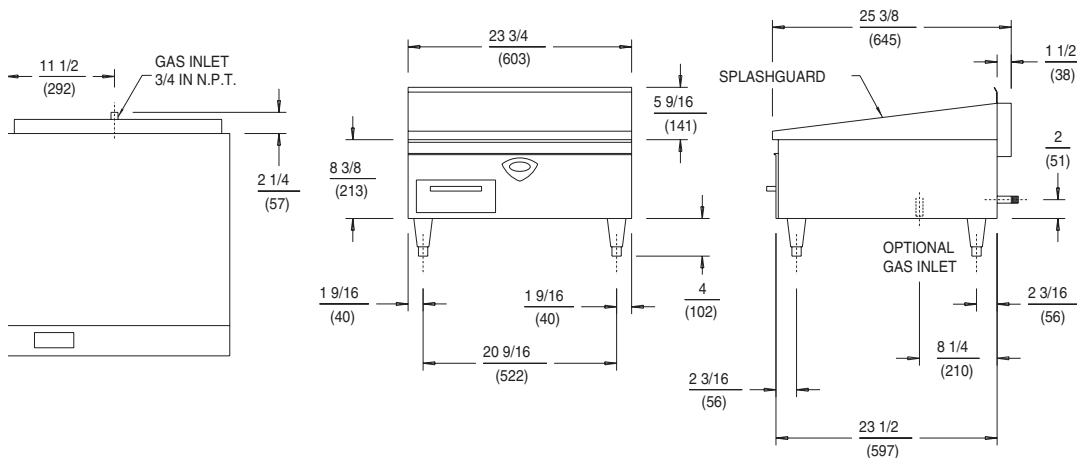
**MODELS  
WG-2424G, WG-2436G  
GAS COUNTERTOP GRIDDLES**

**DIMENSIONS:**

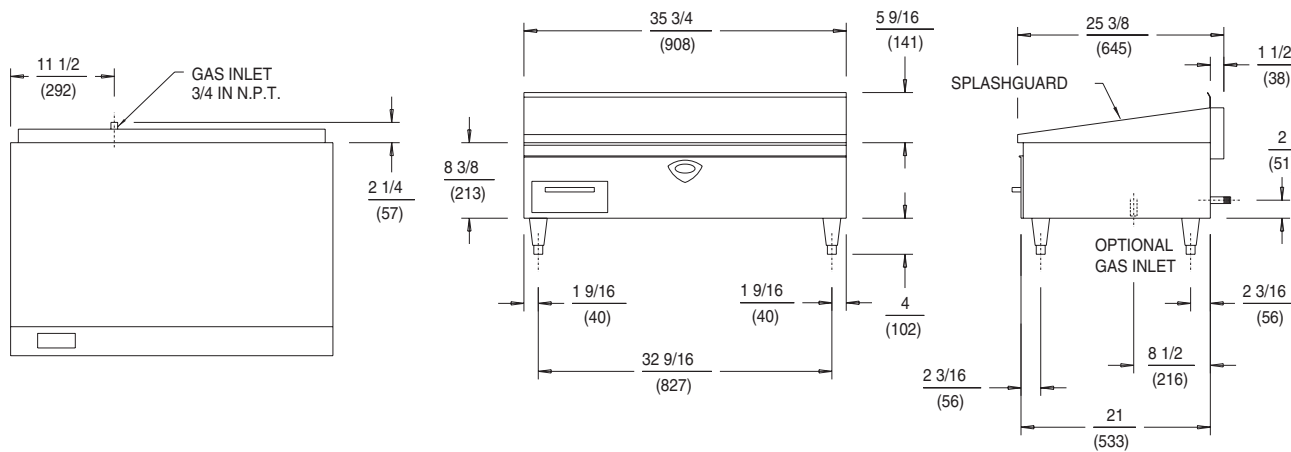
INCH  
(MM)

MINIMUM CLEARANCE REQUIRED FROM UNIT TO THE NEAREST COMBUSTIBLE OBJECT			
BACK	SIDE	BOTTOM	TOP
3	3	4	NA
(76)	(76)	(102)	NA

**MODEL  
WG-2424G**



**MODEL  
WG-2436G**



**WG-2424, WG-2436G ELECTRICAL SPECIFICATIONS:**

MODELS	NUMBER OF BURNERS	NUMBER OF THERMOSTATS	GAS CONSUMPTION		MANIFOLD PRESSURE	
			BTU/HR/BURNER	TOTAL BTU/HR	NATURAL	PROPANE
WG-2424G	2	2	25000	50000	5.0 In. W.C.	10.0 In. W.C.
WG-2436G	3	3	25000	75000	5.0 In. W.C.	10.0 In. W.C.

NOTE: Specifications are subject to change without notice.



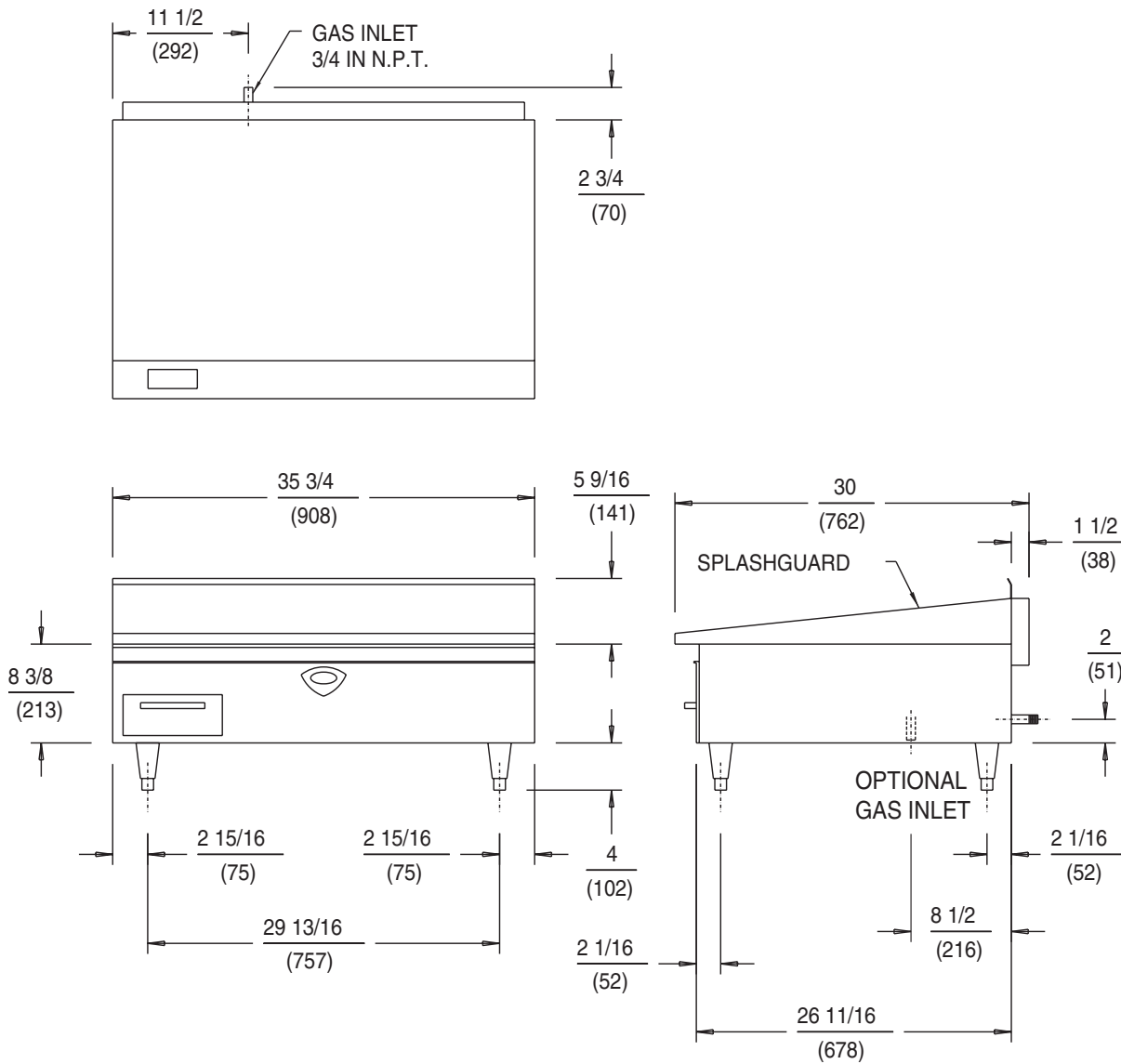
STD.4

**MODEL  
WG-3036G  
GAS COUNTERTOP GRIDDLE**

**DIMENSIONS:**

$\frac{\text{INCH}}{\text{(MM)}}$

MINIMUM CLEARANCE REQUIRED FROM UNIT TO THE NEAREST COMBUSTIBLE OBJECT			
BACK	SIDE	BOTTOM	TOP
$\frac{3}{4}$	$\frac{3}{4}$	$\frac{4}{4}$	NA
(76)	(76)	(102)	NA



**WG-3036G ELECTRICAL SPECIFICATIONS:**

MODELS	NUMBER OF BURNERS	NUMBER OF THERMOSTATS	GAS CONSUMPTION		MANIFOLD PRESSURE	
			BTU/HR/BURNER	TOTAL BTU/HR	NATURAL	PROPANE
WG-3036G	3	3	25000	75000	5.0 In. W.C.	10.0 In. W.C.

NOTE: Specifications are subject to change without notice.

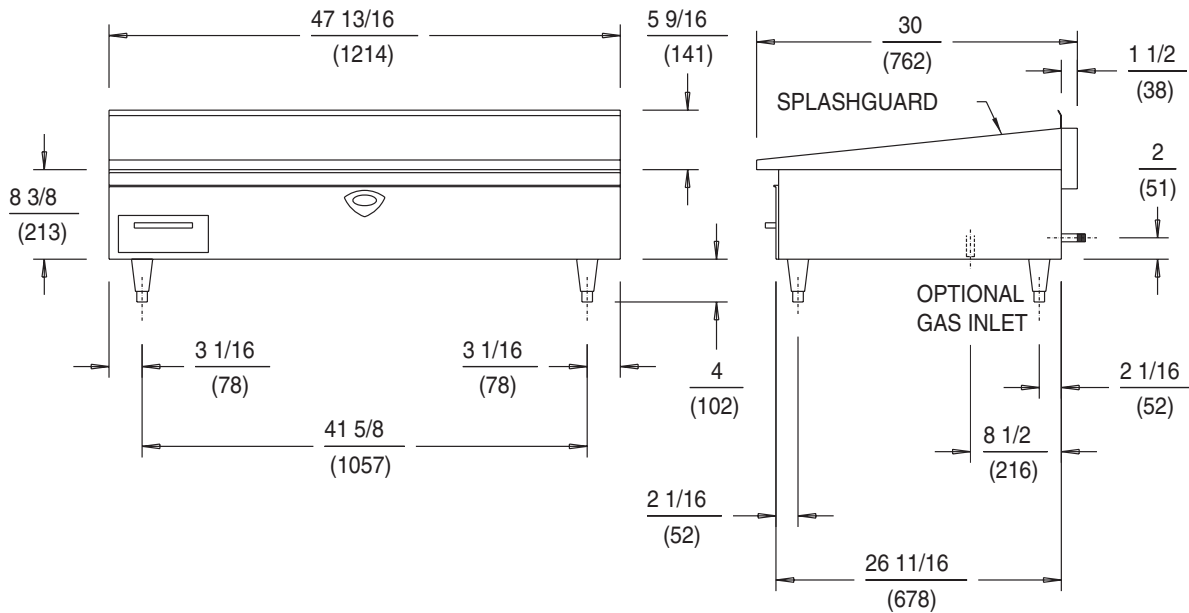
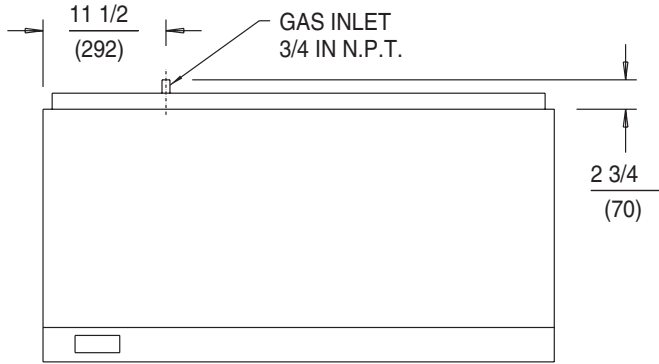


STD.4

**MODEL  
WG-3048G  
GAS COUNTERTOP GRIDDLE**

**DIMENSIONS:**      INCH  
                                  (MM)

MINIMUM CLEARANCE REQUIRED FROM UNIT TO THE NEAREST COMBUSTIBLE OBJECT			
BACK	SIDE	BOTTOM	TOP
3	3	4	NA
(76)	(76)	(102)	NA



**WG-3048G ELECTRICAL SPECIFICATIONS:**

MODELS	NUMBER OF BURNERS	NUMBER OF THERMOSTATS	GAS CONSUMPTION		MANIFOLD PRESSURE	
			BTU/HR/BURNER	TOTAL BTU/HR	NATURAL	PROPANE
WG-3048G	4	4	25000	100000	5.0 In. W.C.	10.0 In. W.C.

NOTE: Specifications are subject to change without notice.

WELLS MANUFACTURING COMPANY  
2 ERIK CIRCLE, PO BOX 280, VERDI, NV 89439 U.S.A.  
USA PHONE: (775) 689-5700 • FAX: (775) 689-5972  
FOR ORDERS ONLY: (888) 356-5362 • FAX: (800) 356-5142  
www.wells-mfg.com  
© 2002 WELLS MANUFACTURING • PRINTED IN THE U.S.A.  
02/02 • REV(C) • PART NO. 45988

