



# 307 Series

Glass Filler

Project \_\_\_\_\_

Item \_\_\_\_\_

Quantity \_\_\_\_\_

CSI Section 11400

Approved \_\_\_\_\_

Date \_\_\_\_\_

307 Series: Glass Filler

## Models

- 307 Glass filler



307

## Standard Features

- Glass filler is 9.50" high
- Chrome plated wire strainer
- One year parts and 90 day labor standard warranty

## Options & Accessories

- Pitcher filler

## Specifications

Top is stainless steel with die-stamped perimeter and die-stamped drain opening fitted with chrome-plated wire strainer and 1.00" (25 mm) diameter drain fitting. Unit comes with 9.50" (24cm) high glass filler.

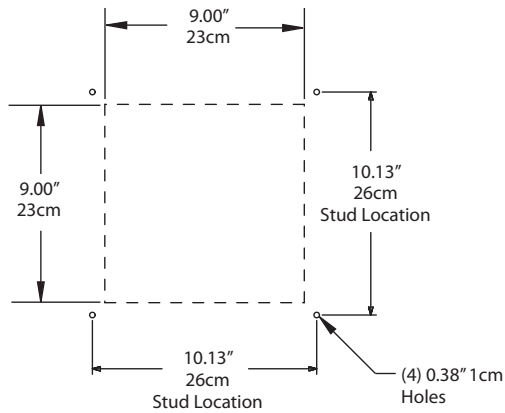


980 S. Isabella Rd.  
Mt. Pleasant, Michigan 48858

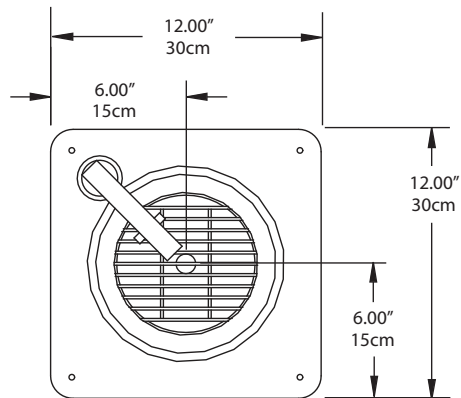
Phone: 800-733-8948 or 989-773-7981  
Fax: 800-669-0619

[www.delfield.com](http://www.delfield.com)

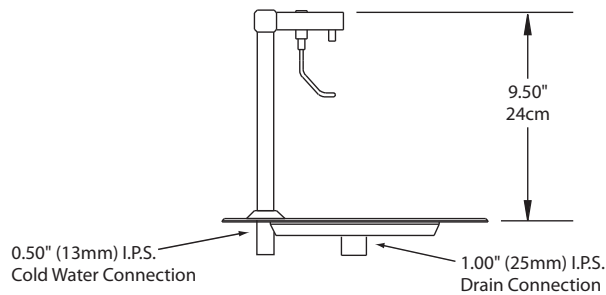




Cutout Dimensions



Plan View



Elevation View

Specifications					
Model	L	D	H	Cutout Dimension	Ship Weight
307	12.00" (30cm)	12.00" (30cm)	9.50" (24cm)	9.00" x 9.00" & (4) 0.38" Holes 23cm x 23cm & (4) 1cm Holes	7 lbs (3 kg)

Delfield reserves the right to make changes to the design or specifications without prior notice.