

JOB:  
ITEM:  
QTY:

# POLY TOP TABLES

## APPLICATION:

These tables are ideal for food preparation with removable 5/8" thick HDPE top. All models have an optional aluminum under shelf.

## MATERIAL:

Framework is constructed out of 1 1/2"x 1 1/2"x.070" wall tubing. Front and back of the top has 1 1/2"x3 1/8"x070" wall tubing. Table legs are constructed out of 1 5/8" diameter pipe. Tabletops are constructed out of 5/8" thick HDPE. Each table comes equipped with a mounting bracket for boat racks. All tables come equipped with four NSF certified adjustable feet.

## GUARANTEE:

These tables carry a **Lifetime Guarantee** against rust and corrosion and also carry a **Five-Year Guarantee** against workmanship and material defects.



**Poly Top Table**

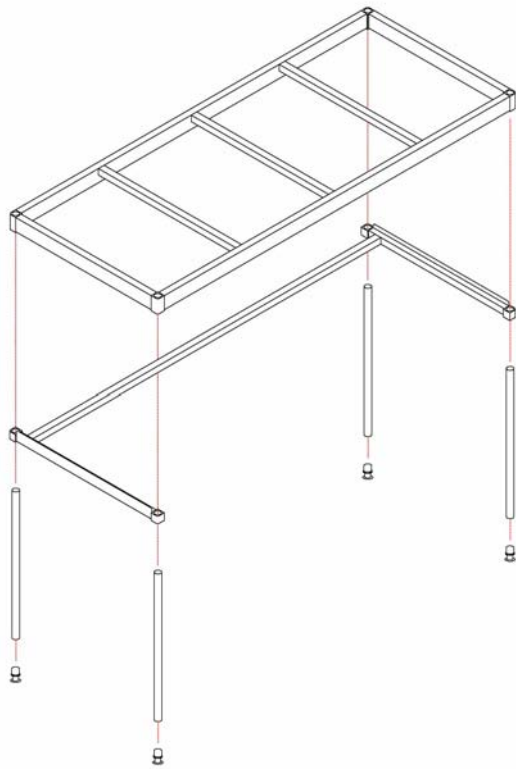


**Poly Top Table with Backsplash**



Phone:800-255-0104  
Fax: 877-877-7687  
[www.newageindustrial.com](http://www.newageindustrial.com)  
[sales@newageindustrial.com](mailto:sales@newageindustrial.com)

New Age Industrial reserves the right to modify or make changes at any time without notice to materials and specifications.



**Knock Down Table Frame**

Model No.	Size-D	Size-H	Size-L	Undersshelf Model No.
<b>Solid Stainless Steel Top (No Backsplash)</b>				
24-P-36KD	24"	34"	36"	24-US-36KD
24-P-48KD	24"	34"	48"	24-US-48KD
24-P-60KD	24"	34"	60"	24-US-60KD
24-P-72KD	24"	34"	72"	24-US-72KD
24-P-84KD	24"	34"	84"	24-US-84KD
24-P-96KD	24"	34"	96"	24-US-96KD
30-P-36KD	30"	34"	36"	30-US-36KD
30-P-48KD	30"	34"	48"	30-US-48KD
30-P-60KD	30"	34"	60"	30-US-60KD
30-P-72KD	30"	34"	72"	30-US-72KD
30-P-84KD	30"	34"	84"	30-US-84KD
30-P-96KD	30"	34"	96"	30-US-96KD
<b>Solid Stainless Steel Top With 6" Backsplash</b>				
24-PBS-36KD	24"	34"	36"	24-US-36KD
24-PBS-48KD	24"	34"	48"	24-US-48KD
24-PBS-60KD	24"	34"	60"	24-US-60KD
24-PBS-72KD	24"	34"	72"	24-US-72KD
24-PBS-84KD	24"	34"	84"	24-US-84KD
24-PBS-96KD	24"	34"	96"	24-US-96KD
30-PBS-36KD	30"	34"	36"	30-US-36KD
30-PBS-48KD	30"	34"	48"	30-US-48KD
30-PBS-60KD	30"	34"	60"	30-US-60KD
30-PBS-72KD	30"	34"	72"	30-US-72KD
30-PBS-84KD	30"	34"	84"	30-US-84KD
30-PBS-96KD	30"	34"	96"	30-US-96KD



Phone: 800-255-0104  
 Fax: 877-877-7687  
[www.newageindustrial.com](http://www.newageindustrial.com)  
[sales@newageindustrial.com](mailto:sales@newageindustrial.com)

New Age Industrial reserves the right to modify or make changes at any time without notice to materials and specifications.