



Profit from the Eagle Advantage®

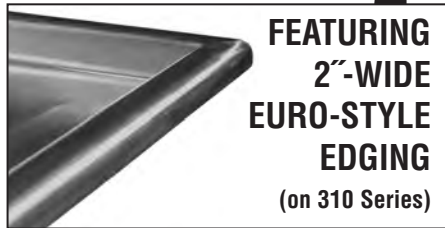
Specification Sheet

Short Form Specifications

Eagle Convenience Store Sink, model _____.
Heavy gauge type 304 stainless steel sink bowls, drainboards, and backsplash. Faucet holes punched on 8" centers. Unit furnished with 1½" IPS basket-type drains. 1"-diameter crossbracing. 1½" O.D. galvanized tubular legs with adjustable bullet feet.



(faucet not included—see below)



**FEATURING
2"-WIDE
EURO-STYLE
EDGING
(on 310 Series)**

Faucet for all 310 & 312 Series Sinks



description	model #
10" (254mm)-long swivel spout, 8" (203mm) center	300489

Options / Accessories

- Faucet (see above)
- Twist drain bracket
- Lever drain
- Stainless steel legs
- Twist handle drain
- Stainless steel bullet feet

EAGLE GROUP
100 Industrial Boulevard, Clayton, DE 19938-8903 USA
Phone: 302-653-3000 • Fax: 302-653-2065
www.eaglegrp.com

Foodservice Division: Phone 800-441-8440
MHC/Retail Display Divisions: Phone 800-637-5100

For custom configuration or fabrication needs, contact our **SpecFAB® Division**.
Phone: 302-653-3000 • Fax: 302-653-2065 • e-mail: quotes@eaglegrp.com

Spec sheets available for viewing, printing or downloading from our online literature library at www.eaglegrp.com

Eagle Foodservice Equipment, Eagle MHC, SpecFAB, and Retail Display are divisions of Eagle Group. ©2014 by the Eagle Group

A City Discount

Item No.:	_____
Project No.:	_____
S.I.S. No.:	_____

310 & 312 Series Sinks

MODELS:

- 310-10-3-12
- 310-10-3-18
- 310-10-3-24
- 312-12-3-12
- 312-14-3-12

Material:

- Sink Bowls: Heavy gauge type 304 stainless steel.
- Top: Drainboards, backsplash and edging are heavy gauge type 304 stainless steel.
- Legs: 1½" (41mm)-diameter heavy-gauge galvanized tubing with plated 12-gauge gussets and high-impact corrosion resistant fully adjustable bullet feet.
- Crossbracing: 1" (25mm)-diameter heavy-gauge galvanized tubing, running front-to-back.

Design and Construction Features:

- Two integrally welded drainboards provided.
- All sink bowls have a generous radius—1½" (41mm) minimum—and are designed for maximum capacity.
- Germ-free seamless interior.
- Leg locations are adjacent to sink bowls, providing increased stability and maximum weight support.
- Legs are crossbraced front-to-back for increased stability.
- Leg gussets are welded to a die-cut heavy gauge reinforcing plate.
- Entire assembly is fuse-welded and planished, providing a one-piece seamless sink unit.
- 9½" (241mm)-high full length standard backsplash features 1" (25mm) upturn and tile edge for easy installation and feathering to wall/splash surface.
- Welded areas are high-speed belt blended to match adjacent surfaces with continuity of satin finish.
- All outside corners of sink assembly are bullnosed to provide safe, clean edges.

Mechanical:

- Water supply is ½" (13mm) IPS for hot and cold lines.
- 1½" (38mm) faucet holes, punched on 8" (203mm) centers.
- Standard 1½" (38mm) IPS basket-type waste drains.

Certifications / Approvals



AUTOQUOTES



EG20.19 Rev. 01/14

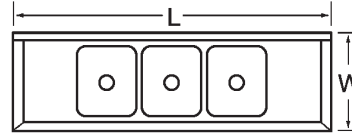
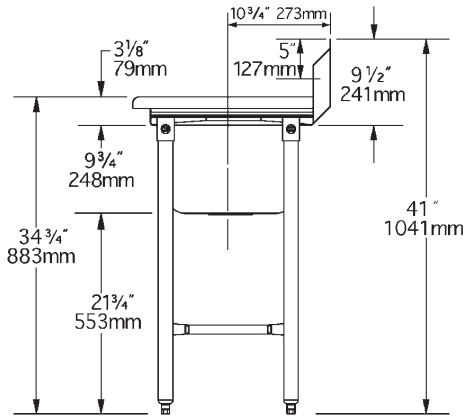


Item No.: _____
 Project No.: _____
 S.I.S. No.: _____

310 & 312 Series Sinks

310 Series

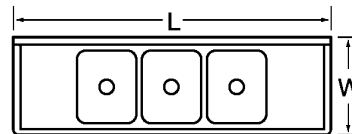
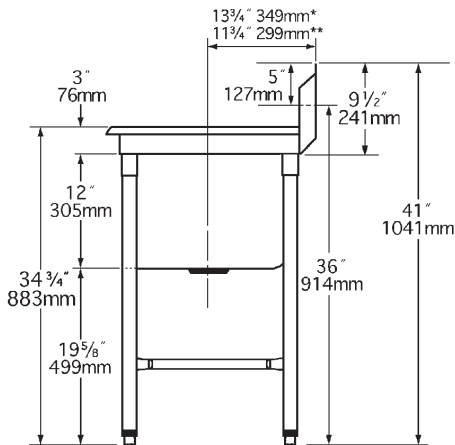
- Three 9 3/4" (247mm)-deep sink bowls and two drainboards.
- Type 304 stainless steel euro-style edging.
- Sink bowls have deep-drawn one-piece seamless construction.



model #	bowl size		overall size		drainbd length	weight
	width	length	width	length		
	in.	mm	in.	mm	in. mm	lbs. kg
310-10-3-12	14"	356	21"	533	12" 305	71 32.2
310-10-3-18	14"	356	21"	533	18" 457	78 35.4
310-10-3-24	14"	356	21"	533	24" 610	87 39.5

312 Series

- Three 12" (305mm)-deep sink bowls and two drainboards.
- Type 304 stainless steel rolled rims.
- #312-12-3-12 features fabricated sink bowls.
- #312-14-3-12 features deep-drawn sink bowls.



model #	bowl size		overall size		drainbd length	weight
	width	length	width	length		
	in.	mm	in.	mm	in. mm	lbs. kg
312-12-3-12	20"	508	27"	686	12" 305	89 40.4
312-14-3-12	14"	356	23"	584	12" 305	105 47.6

* Model #312-12-3-12
 ** Model #312-14-3-12

EAGLE GROUP
 100 Industrial Boulevard, Clayton, DE 19938-8903 USA
 Phone: 302-653-3000 • Fax: 302-653-2065
 www.eaglegrp.com

Foodservice Division: Phone 800-441-8440
 MHC/Retail Display Divisions: Phone 800-637-5100

Printed in U.S.A.
 ©2014 by Eagle Group
 Rev. 01/14

Spec sheets available for viewing, printing or downloading from our online literature library at www.eaglegrp.com

Although every attempt has been made to ensure the accuracy of the information provided, we cannot be held responsible for typographical or printing errors. Information and specifications are subject to change without notice. Please confirm at time of order.