

# BUNN®

## TDS-3.5 Dispenser w/ Solid Lid

Round cylinder iced tea dispenser

9.8 " x 20.4 " x 12.8 "

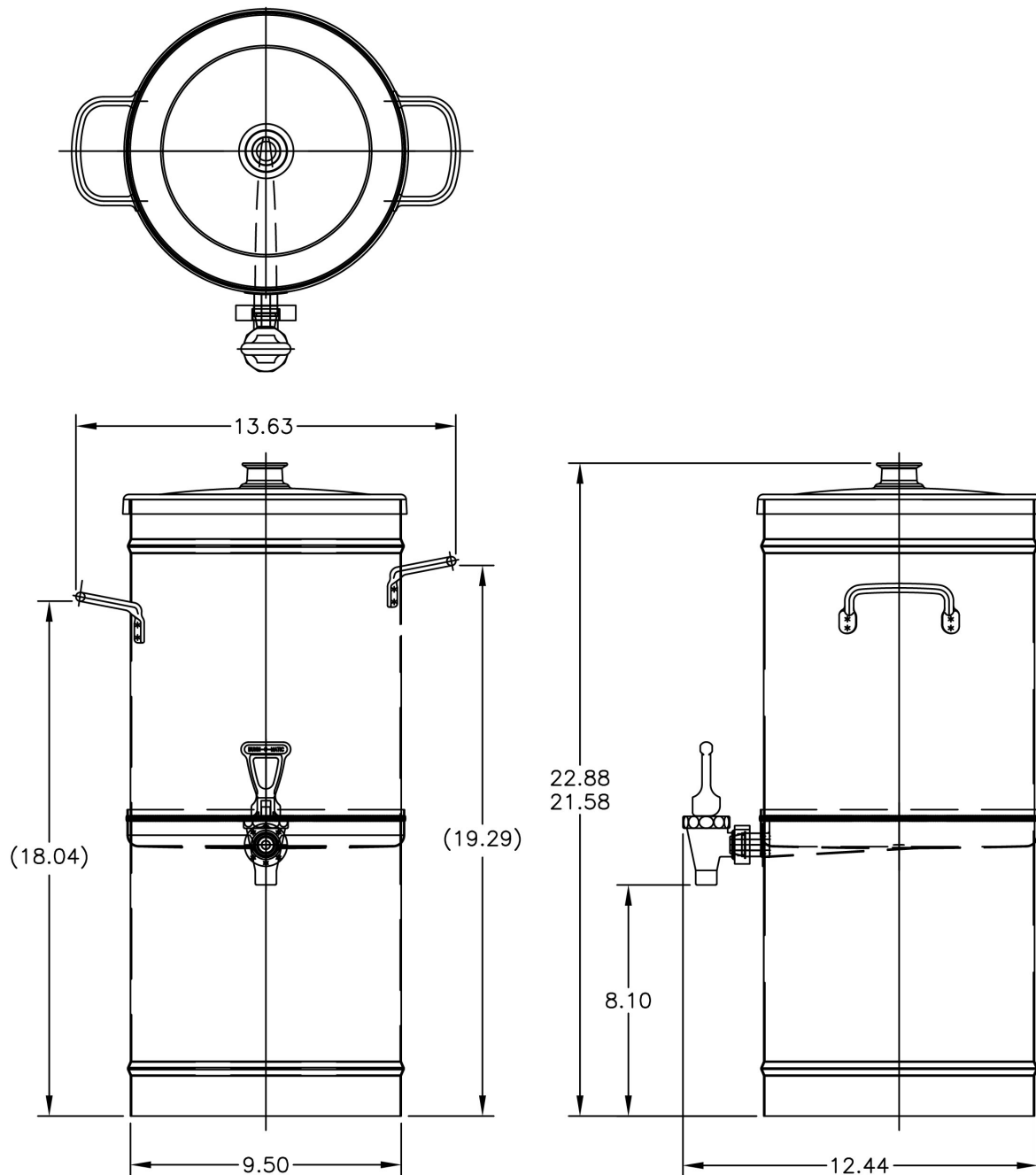
- Faucet handles are labeled sweetened and unsweetened. Side handles are mounted offset for closer side-by-side positioning\* (\* Some TDS-3 and TDS-5 models in stock may not have these features.)
- Sump dispense valve assures complete dispensing

### Related products

- 03207.0004 Drip Tray
- 26801.0000 Drip Tray Cover
- 38029.1000 Drip Tray



Product No	UPC	Iced Tea Server Type	2D Format CAD Available	Handle
33000.0023	72504120584	Cylinder	Yes	Side Carry Handles
Lid Color	Machine Depth	Machine Width	Machine Height	Units per Case
Black	12.8 "	9.8 "	20.4 "	1
Shipping Box Length	Shipping Box Width	Shipping Box Height	Shipping Weight	Volume of shipped box
11 "	11 "	23 "	12 lb	1.61 ft3



To see illustrated parts manuals, visit [bunn.com/support/manuals](http://bunn.com/support/manuals)

BUNN® reserves the right to change specifications and product design without notice. Such revisions do not entitle the buyer to corresponding changes, improvements, additions, or replacements for previously purchased equipment. For most current specifications and other info visit [bunn.com](http://bunn.com). All dimensions shown in inches.