



CRATHCO® BARREL FREEZERS

Item#

Project

Date

Models: 3311, 3312

3000 Series Standard Beverage Freezers



Model 3311



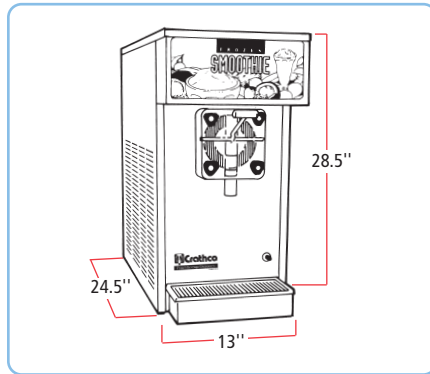
Model 3312

Features

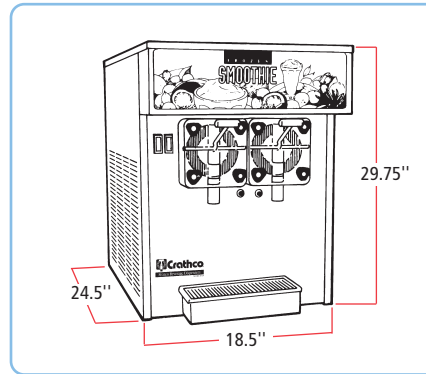
- **Versatile** – Serve frozen smoothies, shakes, frozen cappuccino/granita latté, frozen cocktails, granita, frozen fruit juices, frozen lemonade, or slush.
- **Patented FlavorLight™** – Illuminates the frozen product with your choice of eye catching back-lit signs, draw customers & increase sales.
- **Compact** – Model 5311 is only 13" (33cm) wide but more than doubles the output capacity of visual beverage freezers.
- **"Mix Low" Light** – alerts user when to refill reservoir.
- Freezing cylinder automatically refills from refrigerated storage hopper... No need to wait for product to refreeze after refilling.
- Reliable mechanical consistency control...dispenses perfect product under all operating conditions.
- Optional front mounted spinner blends in an unlimited variety of custom flavors.
- Oversize drive motor, rugged belt drive and heavy duty components keep freezers running when you need them most.



3311 Single Barrel Beverage Freezer



3312 Twin Barrel Beverage Freezer



Specifications



Model	Capacity	# of Barrels	Com-pres.	Drive Motor	Dimensions (H x W x D)	Ship Dimensions (H x W x D)	Electrical	Ship Weight
3311	Frozen: 1.5 gal. (6L) Storage: 5.0 gal. (19L) Total: 6.5 gal. (20L)	1	.75 hp	.5 hp	28.5" x 13" x 29" (72 cm x 33 cm x 74 cm)	30.5" x 20.5" x 36.5" (77 cm x 52 cm x 93 cm)	120V, 1392W, 11.6A 220V, 50Hz, 1650W (optional)	195 lbs. (88 kg)
3312	Frozen: 1.5 gal. (6L) each side Storage: 2.25 gal. (8.5L) each side Total: 3.75 gal. (14.1L) per side	2	.75 hp	(2) .25 hp	29.75" x 18.5" x 29" (76 cm x 47 cm x 74 cm)	33" x 24" x 37" (84 cm x 61 cm x 94 cm)	120V, 1896W, 15.8A	280 lbs. (127 kg)

Options: Front mounted spinner. 4" (10 cm) legs. **Listings:** UL/CUL, NSF, CE. Specifications subject to improvement or change without notice.

Available With Your Choice of Back-Lit Header

