



Project:

Item Number:

Quantity:

MODULAR DROP-IN: ONE WELL HOT/COLD TOP AND BOTTOM MOUNT WELLS



Modular Drop-In: Hot/Cold Top-Mount Well

DESCRIPTION

The modular drop-in can operate either hot or cold and is available in both top-mount and bottom-mount configurations. In cold operation, the well meets NSF7 standards. In hot operation, the well meets NSF4 when using moist heat.

A full-perimeter drip edge contains spills and condensation within the stainless steel countertop area of the drop-in.

High-density polyurethane foam insulation surrounds the exterior of the well to provide most efficient performance with energy savings.

A 3" (7.62 cm) recess lowers the food pan below the work surface to minimize the impact of ambient air.

Modular drop-in orders cannot be canceled or returned.

MODELS

3667101D Top Mount, 120V (US/Canada)

3667102D Top Mount, 120/208-240V (US/Canada)

3667101U Bottom Mount, 120V (US/Canada)

3667102U Bottom Mount, 120/208-240V (US/Canada)

FEATURES

- Top is 18-gauge 300 series stainless steel, with a flat work surface around the opening and die stamped with full-perimeter drip edge. A molded breaker gasket is fitted under the drip edge.
- Seamless well is 18-gauge 300 series stainless steel
- Exterior housing is 18-gauge galvanized steel
- Refrigeration coils surround the exterior side walls of the well for maximum cooling
- 625 Watt rope heater is attached to the bottom of well
- The inner well assembly is insulated with foamed-in-place polyurethane foam insulation
- Hot/Cold operation toggle switch with lighted indicator
- Thermostatic hot control
- Factory set cold control on compressor
- Condensing unit suspended below well
- 3/4" (1.9 cm) integral drain is standard
- Unit comes with cord and plug and does not require hard wiring
- Positioning clips are provided to center drop-in within the cutout
- For complete air circulation, two openings in the cabinet are required. Louver cutout is 8" x 10" (20.3 cm x 25.4 cm).
- One year parts and labor warranty. Additional four years on compressor

WARRANTY: All models shown come with Vollrath's standard warranty against defects in materials and workmanship. For full warranty details, please refer to the Vollrath Equipment and Smallwares Catalog.

Agency Listings



Due to continued product improvement, please consult www.vollrathco.com for current product specifications.

Approvals	Date



Setting the Standard™

www.vollrathco.com

The Vollrath Company, L.L.C.
1236 North 18th Street
Sheboygan, WI 53081-3201 U.S.A.
Customer Service: 800.628.0830
Canada Customer Service: 800.695.8560
Main Fax: 800.752.5620 or 920.459.6573

Technical Services: 800.628.0832
Technical Services Fax: 920.459.5462

A City Discount

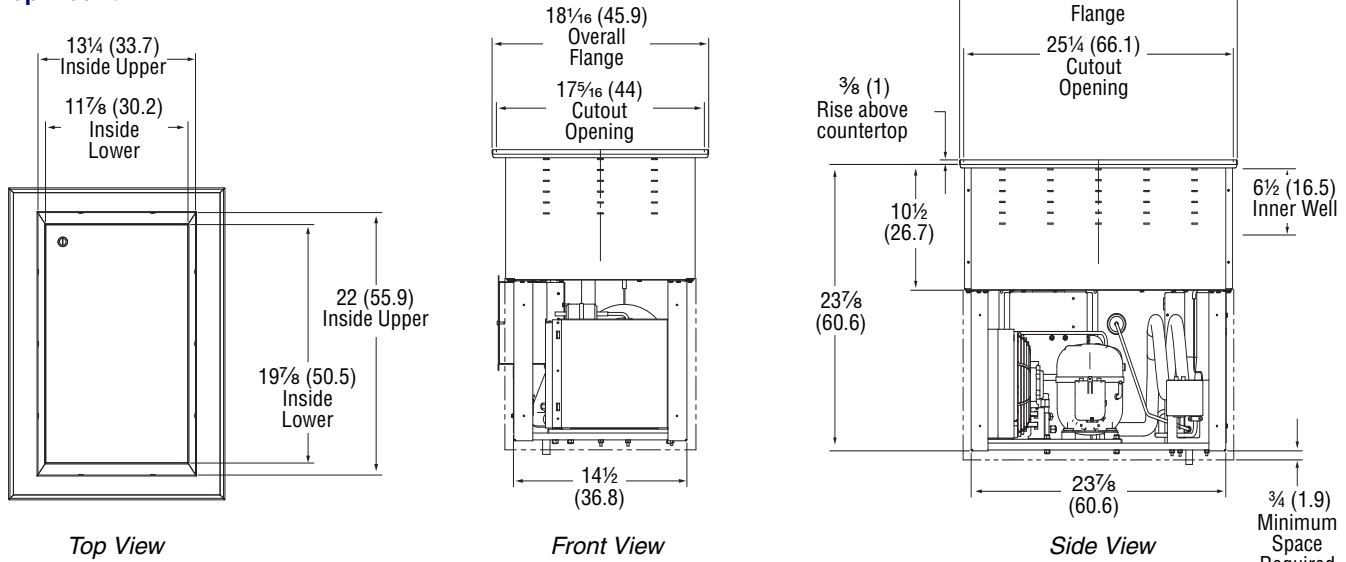
MODULAR DROP-IN: ONE WELL HOT/COLD TOP AND BOTTOM MOUNT WELLS

MODELS	3667101D Top Mount, 120V (US/Canada)	3667101U Bottom Mount, 120V (US/Canada)	3667102U Bottom Mount, 120/208-240V (US/Canada)
	3667102D Top Mount, 120/208-240V (US/Canada)	3667102U Bottom Mount, 120/208-240V (US/Canada)	

DIMENSIONS

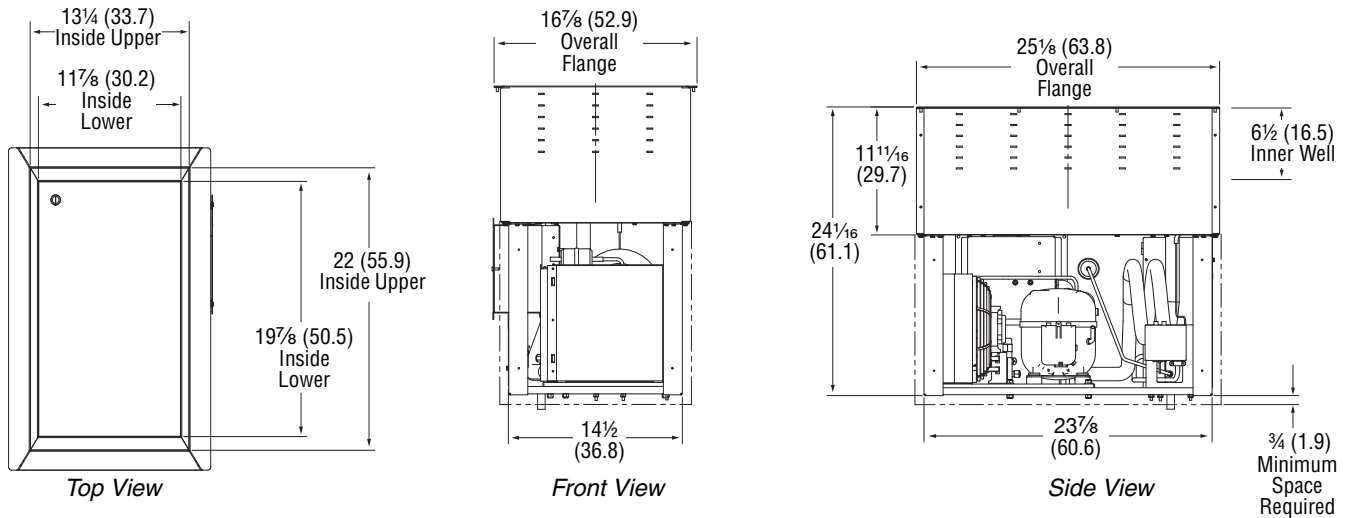
- ☐ Dimensions shown in inches (cm)
- ☐ Well cutout must have a $\frac{7}{8}$ " (2.22 cm) corner radius
- ☐ Control cutout: $8\frac{3}{8}$ " x $7\frac{1}{8}$ " (21.3 x 21.3 cm) with a $\frac{3}{8}$ " (9.5 mm) corner radius

Top Mount



NOTE: Vollrath drop-ins are made to order and cannot be returned. It is the responsibility of the installer to ensure cut-outs on new installations are correct, or retrofit installation dimensions match up with Vollrath product dimensions. Vollrath will not guarantee that our models retrofit with specific competitive models (as competitive specifications can change without notice). We recommend countertop cut-outs be made after receipt of the Vollrath drop-in, to ensure proper fit prior to cutting into countertop materials.

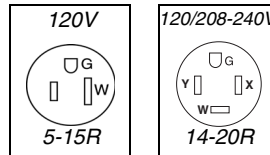
Bottom Mount



ELECTRICAL SPECIFICATIONS

Item	Voltage	Amps		Plug
		Refrigeration Mode	Heating Mode	
3667101D	120	6	5.2	5-15P
3667102D	120/208-240V	6	2.3 - 2.6	14-20P
3667101U	120	6	5.2	5-15P
3667102U	120/208-240V	6	2.3 - 2.6	14-20P

Receptacles



Setting the Standard™

www.vollrathco.com

The Vollrath Company, L.L.C.
 1236 North 18th Street
 Sheboygan, WI 53081-3201 U.S.A.
 Customer Service: 800.628.0830
 Canada Customer Service: 800.695.8560
 Main Fax: 800.752.5620 or 920.459.6573

Technical Services: 800.628.0832
 Technical Services Fax: 920.459.5462