



Project:

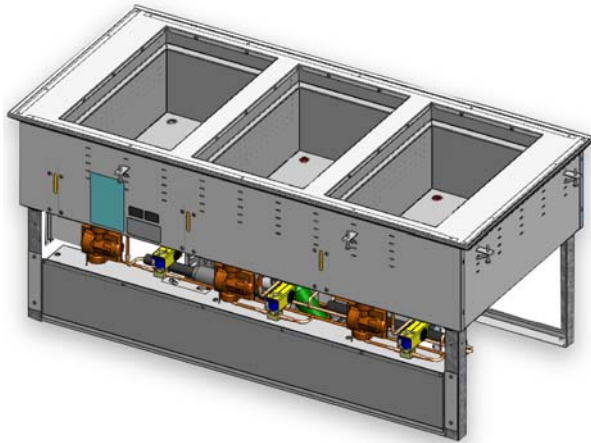
Item Number:

Quantity:

Modular Drop-in: Two and Three Well Hot/Cold Top-Mount Wells

The Vollrath Company, L.L.C.

MODULAR DROP-IN: TWO AND THREE WELL HOT/COLD TOP-MOUNT WELLS



Modular Drop-In: Hot/Cold Three Well

DESCRIPTION

The top-mount modular drop-in can operate either hot or cold. In cold operation, the wells meets NSF7 standards. In hot operation, the wells meets NSF4 when using moist heat.

A full-perimeter drip edge contains spills and condensation within the stainless steel countertop area of the drop-in.

High-density polyurethane foam insulation surrounds the exterior of the wells to provide most efficient performance with energy savings.

A 2" (5.1 cm) recess lowers the food pans below the work surface to minimize the impact of ambient air.

Manual or automatic manifolds hold or drain water in hot and cold cycles.

Modular drop-in orders cannot be canceled or returned.

Agency Listings



Due to continued product improvement, please consult www.vollrathco.com for current product specifications.

MODELS

- 3667201D 2 Well, 120V (US/Canada)
- 3667202D 2 Well, 120/208-240V (US/Canada)
- 36672AUTO 2 Well Auto Manifold Drain Kit (US/Canada)
- 3667301D 3 Well, 120V (US Only)
- 3667302D 3 Well, 120/208-240V (US Only)
- 36673AUTO 3 Well Auto Manifold Drain Kit (US Only)
- 36674MAN 2-3 Well Manual Manifold Drain Kit (US/Canada)

FEATURES

- Top is 18-gauge 300 series stainless steel, with a flat work surface around the opening and die stamped with full-perimeter drip edge. A molded breaker gasket is fitted under the drip edge.
- Seamless well is 18-gauge 300 series stainless steel
- Exterior housing is 18-gauge galvanized steel
- Refrigeration coils surround the exterior side walls of each well for maximum cooling
- 625 Watt rope heater is attached to the bottom of each well
- The inner well assembly is insulated with foamed-in-place polyurethane foam insulation
- Hot/Cold operation toggle switch with lighted indicator
- Thermostatic hot control
- Factory set cold control on compressor
- Condensing unit suspended below well
- 3/4" (1.9 cm) integral drain is standard
- Unit comes with 6 ft. (1.5 m) cord and plug and does not require hard wiring
- 4 ft. (1.2 m) flexible control cord
- Positioning clips are provided to center drop-in within the cutout
- For complete air circulation, two openings in the cabinet are required. Each louver cutout is 10" x 20" (25.4 cm x 50.8 cm). Locate openings on the front and rear (short) sides of the cabinet.
- One year parts and labor warranty. Additional four years on compressor

WARRANTY: All models shown come with Vollrath's standard warranty against defects in materials and workmanship. For full warranty details, please refer to the Vollrath Equipment and Smallwares Catalog.

| Approvals | Date |
|-----------|------|
| | |



Setting the Standard™

www.vollrathco.com

The Vollrath Company, L.L.C.
 1236 North 18th Street
 Sheboygan, WI 53081-3201 U.S.A.
 Customer Service: 800.628.0830
 Canada Customer Service: 800.695.8560
 Main Fax: 800.752.5620 or 920.459.6573

Technical Services: 800.628.0832
 Technical Services Fax: 920.459.5462

A City Discount

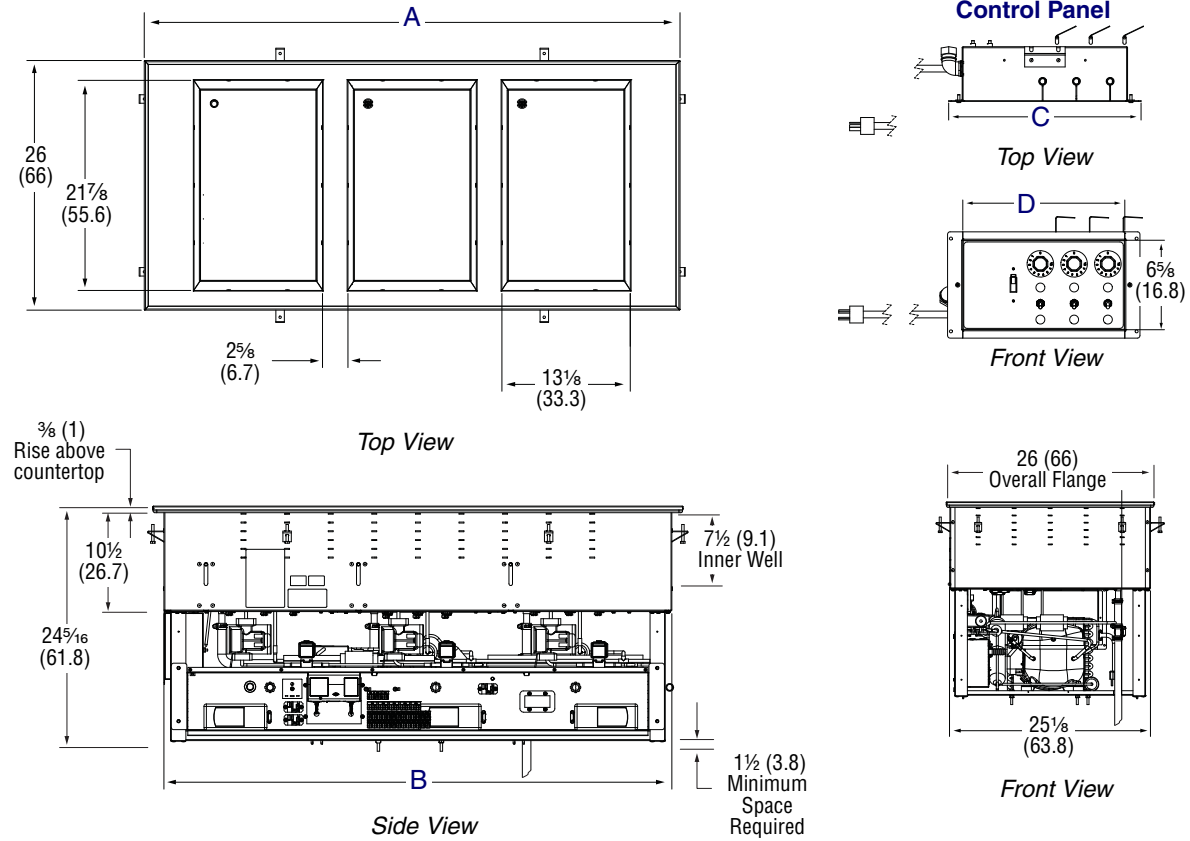
MODULAR DROP-IN: TWO AND THREE WELL HOT/COLD TOP-MOUNT WELLS

MODELS

| | | | |
|------------------|---|------------------|---|
| 3667201D | 2 Well, 120V (US/Canada) | 3667301D | 3 Well, 120V (US Only) |
| 3667202D | 2 Well, 120/208-240V (US/Canada) | 3667302D | 3 Well, 120/208-240V (US Only) |
| 36672AUTO | 2 Well Auto Manifold Drain Kit (US/Canada) | 36673AUTO | 3 Well Auto Manifold Drain Kit (US Only) |
| | | 36674MAN | 2-3 Well Manual Manifold Drain Kit (US/Canada) |

DIMENSIONS

- Dimensions shown in inches (cm)
- Well cutout must have a $\frac{7}{8}$ " (2.2 cm) corner radius
- Control cutout must have a $\frac{3}{8}$ " (9.5 mm) corner radius

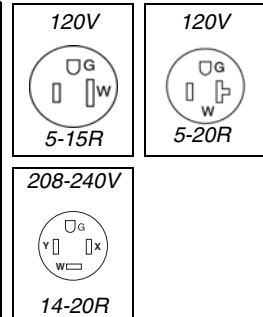


NOTE: Vollrath drop-ins are made to order and cannot be returned. It is the responsibility of the installer to ensure cut-outs on new installations are correct, or retrofit installation dimensions match up with Vollrath product dimensions. Vollrath will not guarantee that our models retrofit with specific competitive models (as competitive specifications can change without notice). We recommend countertop cut-outs be made after receipt of the Vollrath drop-in, to ensure proper fit prior to cutting into countertop materials.

SPECIFICATIONS

| Item | Well Dimensions | | | Control Dimensions | | | Voltage | Max Amp Draw | Plug |
|----------|-------------------|----------------------------|--------------------------------|--------------------|----------------|------------------------------|--------------|--------------|--------|
| | (A) Overall Width | (B) Under Countertop Width | Cutout | (C) Overall Width | (D) Face Width | Cutout | | | |
| 3667201D | 41 1/2 (105.4) | 39 1/4 (99.7) | 40 3/4 x 25 1/4 (103.5 x 64.1) | 11 3/4 (29.8) | 9 1/2 (24.1) | 7 1/8 x 11 (18.1 x 27.9) | 120 | 11.2 | 5-15P |
| 3667202D | 41 1/2 (105.4) | 39 1/4 (99.7) | 40 3/4 x 25 1/4 (103.5 x 64.1) | 11 3/4 (29.8) | 9 1/2 (24.1) | 7 1/8 x 11 (18.1 x 27.9) | 120/208-240V | 8.6 | 14-20P |
| 3667301D | 54 3/4 (139.1) | 52 7/16 (133.2) | 54 x 25 1/4 (137.2 x 64.1) | 14 1/4 (36.2) | 12 (30.5) | 7 1/8 x 13 1/2 (18.1 x 34.3) | 120 | 16.0 | 5-20P |
| 3667302D | 54 3/4 (139.1) | 52 7/16 (133.2) | 54 x 25 1/4 (137.2 x 64.1) | 14 1/4 (36.2) | 12 (30.5) | 7 1/8 x 13 1/2 (18.1 x 34.3) | 120/208-240V | 11.2 | 14-20P |

Receptacles



The Vollrath Company, L.L.C.
 1236 North 18th Street
 Sheboygan, WI 53081-3201 U.S.A.
 Customer Service: 800.628.0830
 Canada Customer Service: 800.695.8560
 Main Fax: 800.752.5620 or 920.459.6573

Technical Services: 800.628.0832
 Technical Services Fax: 920.459.5462